

**UNIMOTION**



**UNIMOTION**  

---

**LINEAR UNITS**



Our company was established in 1990 and, since then, it is privately owned. After 7 years of experience in metal processing as a contractor, the company Hypex (Unimotion) was created and operated in the following areas:

Special purpose machinery manufacture with its own development, trade and assembly in the area of industrial automation. Due to many years of engineering and substantial engagement in individual problem solving processes, extensive knowledge and experience in the development and manufacture of linear and handling systems were gained. Today we produce mechanical linear units, compact linear units, multi-axis systems as well as customised solutions for high dynamic demands. Our company's premises, which cover an area of 4500m<sup>2</sup>, offer room for our 60 employees. Production, construction, administration and warehouse; all this can be found under one roof.

Our modern machinery with CNC machining centres and CNC automatic lathes enables high-precision manufacture and really high in-house production depth. For example, we ourselves manufacture shaft drives with tooth washers and our screw ends. This is why, quality, reliability, a good price/performance ratio and short delivery times are harmonised to perfection.

Thus, in the production of our standard linear units as well as individual and complex special linear units, we can guarantee high capacity, flexibility and precision.

It goes without saying that our company is certified in accordance with DIN ISO 9001:2008. At the moment, we export our products in more than 30 countries. Inspired by our customers' demands, Hypex (Unimotion) constantly develops new products and system solutions. So you are welcome to contact us. We look forward to meet you and work on your special project!





	<b>OVERVIEW</b>	1.000.0
--	-----------------	---------

	 	<b>MTJ</b> <b>MRJ</b> 2.000.0
--	------	-------------------------------------

		<b>MTV</b> 3.000.0
--	--	-----------------------

		<b>MTJ ECO</b> 4.000.0
--	--	---------------------------

		<b>MTJZ</b> 5.000.0
--	--	------------------------

		<b>CTJ</b> 6.000.0
--	--	-----------------------

		<b>CTV</b> 7.000.0
--	--	-----------------------

	<b>ACCESSORIES</b>	8.000.0
--	--------------------	---------

	<b>SERVICE LIFE</b> <b>PERMISSIBLE LOAD FACTOR</b>	9.000.0
--	---	---------

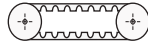
## BELT DRIVEN LINEAR UNITS

### MTJ / MRJ

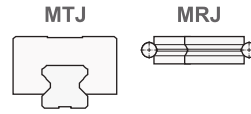
Page 2.000.0



#### DRIVE



#### GUIDE



#### FEATURES

- High speed
- High acceleration
- Large stroke lengths
- Good repeatability

Linear Unit	Dynamic load capacity		Max. travel speed [ m/s ]	<sup>1</sup> Max. profile length [ mm ]	Max. repeatability [ mm ]	Dimensions	
	Cy [ N ]	Cz [ N ]				<sup>2</sup> Width [ mm ]	<sup>3</sup> Height [ mm ]
MTJ 40	4610		6	3000	± 0,08	40	52
MTJ 65 S	9900		6	6000	± 0,08	65	85
MTJ 65 L	19800		6	6000	± 0,08	65	85
MTJ 80 S	17100		6	6000	± 0,08	80	100
MTJ 80 L	34200		6	6000	± 0,08	80	100
MTJ 110 S	24800		6	6000	± 0,08	110	129
MTJ 110 L	49600		6	6000	± 0,08	110	129
MRJ 40	3400	1700	10	6000	± 0,08	40	52
MRJ 65 L	8600	4400	10	6000	± 0,08	65	85
MRJ 80 L	17100	9000	10	6000	± 0,08	80	100
MRJ 110 L	31000	14000	10	6000	± 0,08	110	129

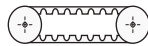
<sup>1</sup> For lengths over the stated value in the table above please contact us. <sup>2</sup> Profile <sup>3</sup> Profile + carriage

### CTJ

Page 6.000.0



#### DRIVE



#### GUIDE



#### FEATURES

- High speed
- High acceleration
- Large stroke lengths
- Good repeatability
- High load capabilities
- High flexural rigidity

Linear Unit	Dynamic load capacity		Max. travel speed [ m/s ]	<sup>1</sup> Max. profile length [ mm ]	Max. repeatability [ mm ]	Dimensions	
	Cy [ N ]	Cz [ N ]				<sup>2</sup> Width [ mm ]	<sup>3</sup> Height [ mm ]
CTJ 90 S	4620		5	6000	± 0,08	90	40
CTJ 90 L	9240		5	6000	± 0,08	90	40
CTJ 110 S	19800		6	6000	± 0,08	110	50
CTJ 110 L	39600		6	6000	± 0,08	110	50
CTJ 145 S	34200		6	6000	± 0,08	145	65
CTJ 145 L	68400		6	6000	± 0,08	145	65
CTJ 200 S	49600		6	6000	± 0,08	200	100
CTJ 200 L	99200		6	6000	± 0,08	200	100

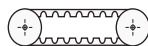
<sup>1</sup> For lengths over the stated value in the table above please contact us. <sup>2</sup> Profile <sup>3</sup> Profile + carriage

### MTJ ECO

Page 4.000.0



#### DRIVE



#### GUIDE



#### FEATURES

- Excellent price/performance ratio
- High acceleration
- Large stroke lengths

Linear Unit	Dynamic load capacity		Max. travel speed [ m/s ]	<sup>1</sup> Max. profile length [ mm ]	Max. repeatability [ mm ]	Dimensions	
	Cy [ N ]	Cz [ N ]				<sup>2</sup> Width [ mm ]	<sup>3</sup> Height [ mm ]
MTJ 40 ECO S	9900		3	5960	± 0,1	40	78
MTJ 40 ECO L	19800		3	5960	± 0,1	40	78

<sup>1</sup> For lengths over the stated value in the table above please contact us. <sup>2</sup> Profile <sup>3</sup> Profile + carriage

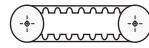
**BELT DRIVEN LINEAR UNITS**

**MTJZ**

Page 5.000.0



**DRIVE**



**GUIDE**



**FEATURES**

- High speed
- High acceleration
- Large stroke lengths
- Good repeatability

Linear Unit	Dynamic load capacity		Max. travel speed [ m/s ]	<sup>1</sup> Max. profile length [ mm ]	Max. repeatability [ mm ]	Dimensions	
	Cy [ N ]	Cz [ N ]				<sup>2</sup> Width [ mm ]	<sup>3</sup> Height [ mm ]
MTJZ 40	4610		5	3000	± 0,08	40	88
MTJZ 65	19800		5	6000	± 0,08	65	143,5
MTJZ 80	34200		5	6000	± 0,08	80	178,5
MTJZ 110	49600		5	6000	± 0,08	110	241

<sup>1</sup> For lengths over the stated value in the table above please contact us. <sup>2</sup> Profile <sup>3</sup> Profile + carriage

**BALL SCREW DRIVEN LINEAR UNITS**

**MTV**

Page 3.000.0



**DRIVE**



**GUIDE**



**FEATURES**

- High repeatability
- Ball screw support system for higher speeds at the same stroke
- High axial load capabilities
- Large stroke lengths

Linear Unit	Dynamic load capacity		Max. travel speed [ m/s ]	<sup>1</sup> Max. profile length [ mm ]	Max. repeatability [ mm ]	Dimensions	
	Cy [ N ]	Cz [ N ]				<sup>2</sup> Width [ mm ]	<sup>3</sup> Height [ mm ]
MTV 65	19800		1,12	2920	± 0,01	65	85
MTV 80	34200		2,5	5480	± 0,01	80	100
MTV 110	49600		1,6	5850	± 0,01	110	129

<sup>1</sup> For lengths over the stated value in the table above please contact us. <sup>2</sup> Profile <sup>3</sup> Profile + carriage

**CTV**

Page 7.000.0



**DRIVE**



**GUIDE**



**FEATURES**

- High repeatability
- High load capabilities
- High flexural rigidity

Linear Unit	Dynamic load capacity		Max. travel speed [ m/s ]	<sup>1</sup> Max. profile length [ mm ]	Max. repeatability [ mm ]	Dimensions	
	Cy [ N ]	Cz [ N ]				<sup>2</sup> Width [ mm ]	<sup>3</sup> Height [ mm ]
CTV 90 S	4620		0,97	750	± 0,01	90	40
CTV 90 L	9240		0,97	750	± 0,01	90	40
CTV 110 S	19800		1,12	1500	± 0,01	110	50
CTV 110 L	39600		1,12	1500	± 0,01	110	50
CTV 145 S	34200		2,5	1800	± 0,01	145	65
CTV 145 L	68400		2,5	1800	± 0,01	145	65
CTV 200 S	49600		1,6	2200	± 0,01	200	100
CTV 200 L	99200		1,6	2200	± 0,01	200	100

<sup>1</sup> For lengths over the stated value in the table above please contact us. <sup>2</sup> Profile <sup>3</sup> Profile + carriage



**MTJ** and **MRJ** Linear Units with toothed belt drive and compact dimensions provide high performance features such as, high speed, good accuracy and repeatability.

They can easily be combined to multi-axis systems.

Excellent price-/performance ratio and quick delivery time are ensured.

The compact, precision-extruded aluminum Profile from 6063 AL with integrated Zero-backlash Ball rail guide system, allows high load capacities and optimal cycles for the movement of larger masses at high speed.

For very high speeds, up to 10m/s, the Track Rollers ( journal Bearings) of the type MRJ are particularly suitable.

In the Linear Units MTJ and MRJ is used a pre-tensioned steel reinforced AT polyurethane timing toothed belt. In conjunction with a Zero-backlash drive pulley high moments with alternating loads with good positioning accuracy, low wear and low noise can be realized.

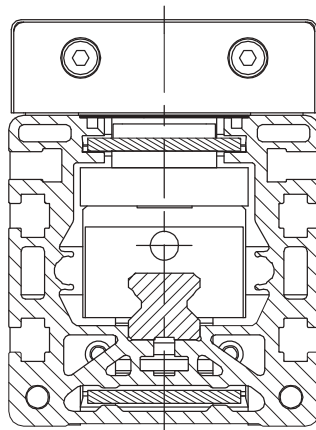
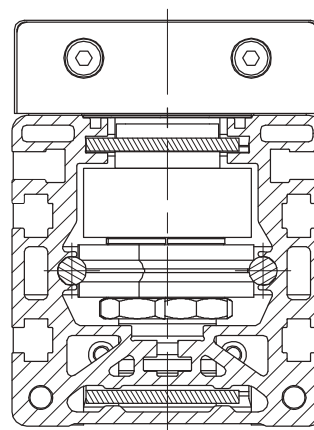
The in the Profile slot driving Polyurethane timing belt protects all the parts in the Profile from dust and other contaminations. As optional, a corrosion-resistant protection strip is available.

The aluminum profile includes T-slots for fixing the Linear Unit and for attaching sensors and switches.

Also, a Reed switch can be used here.

Different carriage lengths with central lubrication port, allow easy re-lubrication of the Linear Unit and allow the possibility to attach additional accessories on the side.

For the Linear Units MTJ and MRJ various adaptation options, for attaching (or redirecting), for Motors or Gearboxes are available.

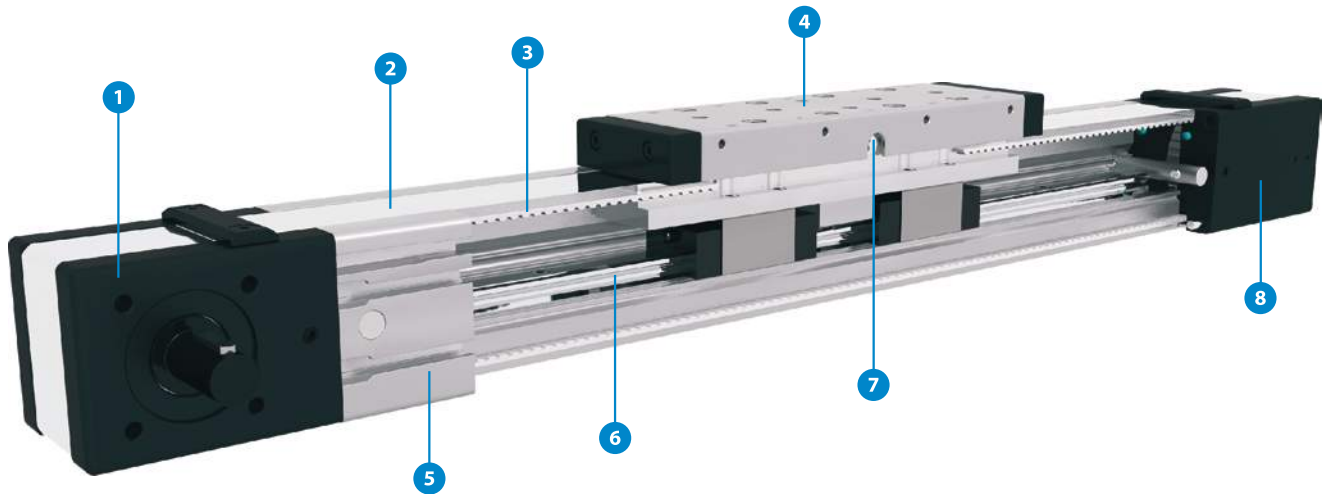
**MTJ**

**MRJ**


**i** The aluminium profiles are manufactured according to the medium EN 12020-2 standard

Straightness = 0,35 mm/m; Max. torsion = 0,35 mm/m; Angular torsion = 0,2 mm/40 mm; Parallelism = 0,2 mm

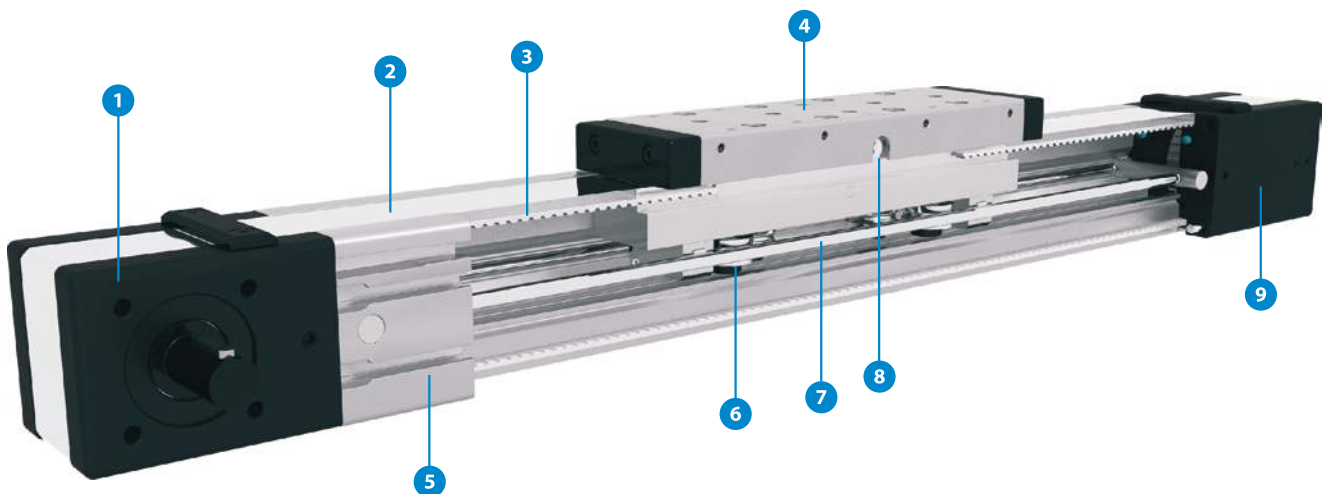
**STRUCTURAL DESIGN**

**MTJ Series**



- 1 - Drive block with pulley
- 2 - Corrosion-resistant protection strip (available also without protection strip)
- 3 - AT polyurethane toothed belt with steel tension cords
- 4 - Carriage; with built in Magnets
- 5 - Aluminium profile-Hard anodized
- 6 - Linear Ball Guideway
- 7 - Central lubrication port; both sides
- 8 - Tension End with integrated belt tensioning system

**MRJ Series**



- 1 - Drive block with pulley
- 2 - Corrosion-resistant protection strip (available also without protection strip)
- 3 - AT polyurethane toothed belt with steel tension cords
- 4 - Carriage; with build in Magnets
- 5 - Aluminium profile-Hard anodized
- 6 - Track Roller (journal Bearing)
- 7 - Two hardened steel Round guide (58/60 HRC)
- 8 - Central lubrication port; both sides
- 9 - Tension End with integrated belt tensioning system



**MTJ - 65 - 1000 - L - 1 - R - 1**

**Series :** \_\_\_\_\_

**MRJ**

**MTJ**

**Size :** \_\_\_\_\_

**40**

**65**

**80**

**110**

**Absolute stroke (mm) :** \_\_\_\_\_

(Absolute stroke = Effective stroke + 2 x Safety stroke)

**Carriage Version :** \_\_\_\_\_

**S :** Short (only for MTJ series)

**L :** Long

**Leave blank :** For MRJ 40, MTJ 40

**Type of drive pulley :** \_\_\_\_\_

**0 :** Pulley with through hole

**1 :** Pulley with journal (with Keyway)

**10 :** Pulley with journal (without Keyway)

**2 :** Pulley with journal on both sides (with Keyway)

**20 :** Pulley with journal on both sides (without Keyway)

**3 :** Without drive unit

**Drive journal position :** \_\_\_\_\_

**L :** Journal on left side

**R :** Journal on right side

**Leave blank :** For type of drive pulley 0, 2, 20 and 3

**Protection cover :** \_\_\_\_\_

**0 :** In profile groove guided Polyurethane toothed belt

**1 :** Corrosion-resistant protection strip

## TECHNICAL DATA

### General technical data

Linear Unit	Carriage length Lv [ mm ]	Dynamic load capacity			Dynamic moment			Max. permissible loads					Moved mass [ kg ]	Max. Repeatability [ mm ]	* Max. length Lmax [ mm ]	* Max. stroke [ mm ]	** Min. stroke [ mm ]
		C [ N ]	Cy [ N ]	Cz [ N ]	Mx [ Nm ]	My [ Nm ]	Mz [ Nm ]	Forces		Moments							
								Fpy [ N ]	Fpz [ N ]	Mpx [ Nm ]	Mpy [ Nm ]	Mpz [ Nm ]					
MTJ 40	92	4610	/	/	28	90	90	3850	3850	14	75	75	0,28	± 0,08	3000	2876	25
MRJ 40	92	/	3400	1700	20	21	25	1015	1090	13	14	7,6	0,26	± 0,08	6000	5876	0

\* For lengths / stroke over the stated value in the table above please contact us.  
 Values for max. stroke are not valid for double carriage  
 (equation of defining the linear unit length for particular size of the linear unit needs to be used).  
 \*\* For minimum stroke below the stated value in the table above please contact us.

Operating conditions	
Operating temp.	0°C ~ +60°C
Duty cycle	100%

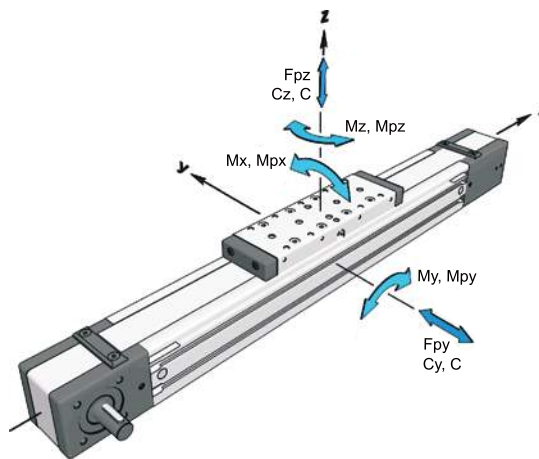
For operating temperature out of the presented range, please contact us.

### Recommended values of loads

All the data of dynamic moments and load capacities stated in the upper table are theoretical without considering any safety factor. The safety factor depends on the application and its requested safety. We recommend a minimum safety factor (fs = 5.0)

### Modulus of elasticity :

$$E = 70000 \text{ N / mm}^2$$

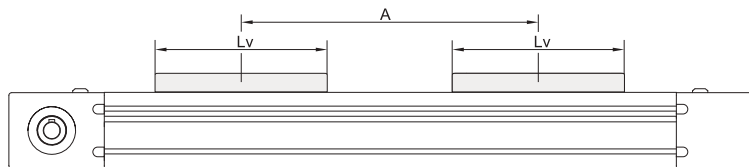


### General technical data for double carriage

Linear Unit	Carriage version	Dynamic load capacity			* Dynamic moment			* Max. permissible loads				
		C [ N ]	Cy [ N ]	Cz [ N ]	Mx [ Nm ]	My [ Nm ]	Mz [ Nm ]	Forces		Moments		
								Fpy [ N ]	Fpz [ N ]	Mpx [ Nm ]	Mpy [ Nm ]	Mpz [ Nm ]
MTJ 40	2	9220	/	/	57	4,6 * A [ mm ]	4,6 * A [ mm ]	7690	7690	28	3,8 * A [ mm ]	3,8 * A [ mm ]
MRJ 40	2	/	6800	3400	40	1,7 * A [ mm ]	3,4 * A [ mm ]	2030	2180	26	1,1 * A [ mm ]	1,0 * A [ mm ]

\* A - Distance between carriages. More info on following pages.

Presented values are for informational purposes only. Exact values can be calculated using our sizing selection tool on Unimotion web site.  
 For greater number of carriages please contact us.



### Drive and belt data

Linear Unit	* Max. travel speed [ m / s ]	Max. drive torque Ma [ Nm ]	** No load torque		Puley drive ratio [ mm / rev ]	Puley diameter [ mm ]	Belt type	Belt width [ mm ]	Max. force transmitted by belt [ N ]	Specific spring constant Cspec [ N ]	* Max. acceleration [ m/s <sup>2</sup> ]
			With strip [ Nm ]	Without strip [ Nm ]							
MTJ 40	6	3,7	0,4	0,2	99	31,51	AT 3	20	235	225000	70
MRJ 40	10		0,4	0,2							

\* Max. travel speed and max. acceleration of Linear unit with the Corrosion-resistant protection strip is 1,5 m/s and 50 m/s<sup>2</sup>, respectively.  
 For travel speed and acceleration over the stated value in the table above or diagrams please contact us.

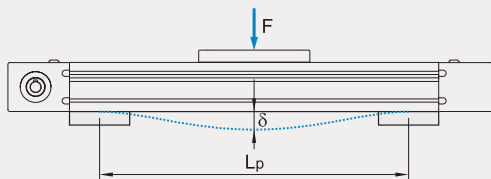
\*\* The stated values are for strokes up to 500mm. No Load Torque value increases with stroke elongation.

Mass and mass moment of inertia

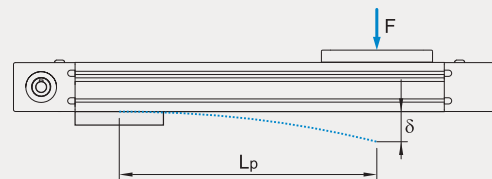
Linear Unit	Carriage length Lv [ mm ]	Mass of linear unit [ kg ]	Mass moment of inertia [ 10 <sup>-5</sup> kg * m <sup>2</sup> ]	Planar moment of inertia	
				ly [ cm <sup>4</sup> ]	lz [ cm <sup>4</sup> ]
MTJ 40	92	1,3 + 0,0024 * Stroke [ mm ]	9,7 + 0,0035 * Stroke [ mm ]	9,8	11,6
MRJ 40	92	1,25 + 0,0022 * Stroke [ mm ]	9,3 + 0,0035 * Stroke [ mm ]		

Deflection of the linear unit

Fixed - fixed mounting



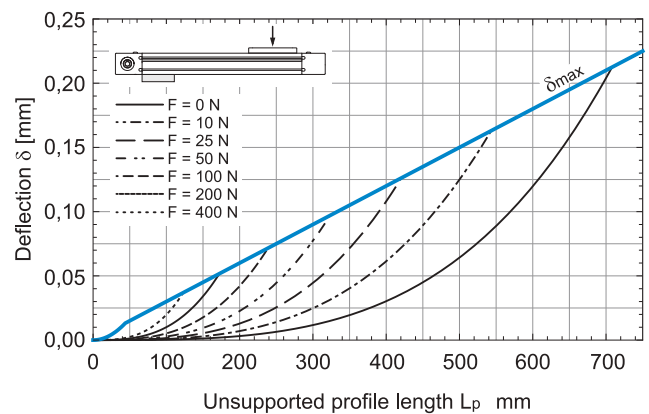
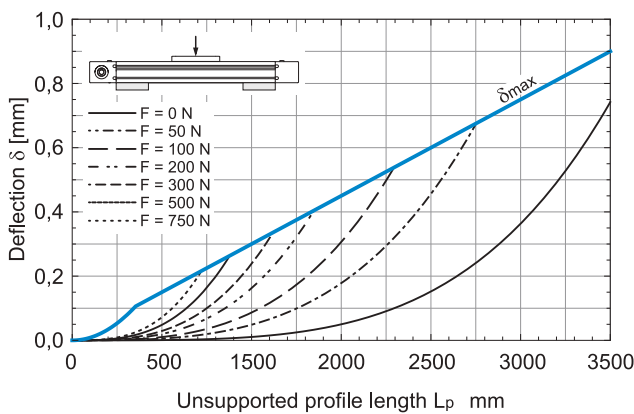
Fixed - free mounting



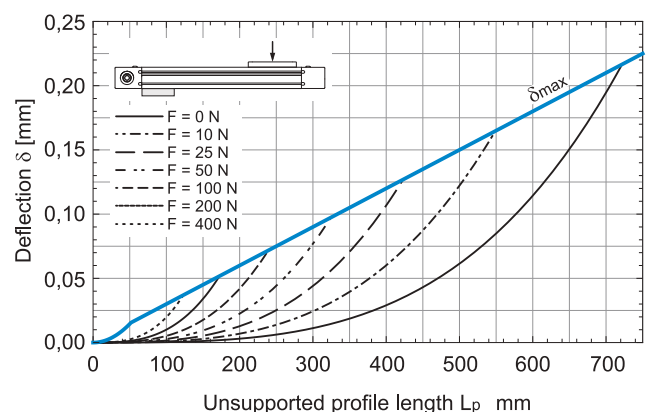
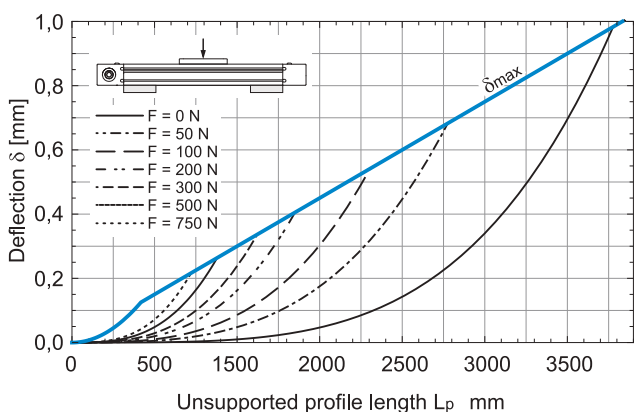
- δ Maximum deflection of the linear unit [mm]
- δmax Maximum permissible deflection of the linear unit [mm]
- F Applied force [N]
- Lp Unsupported profile length [mm]

**i** The maximum permissible deflection δmax must not be exceeded. In the case that maximum deflection δ exceeds the maximum permissible deflection δmax additional profile supports are needed.

MTJ 40

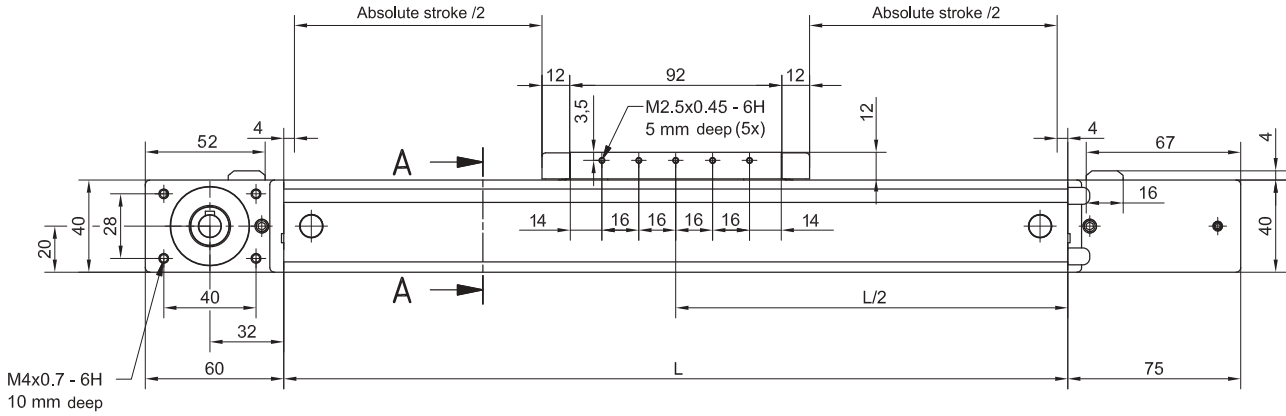


MRJ 40

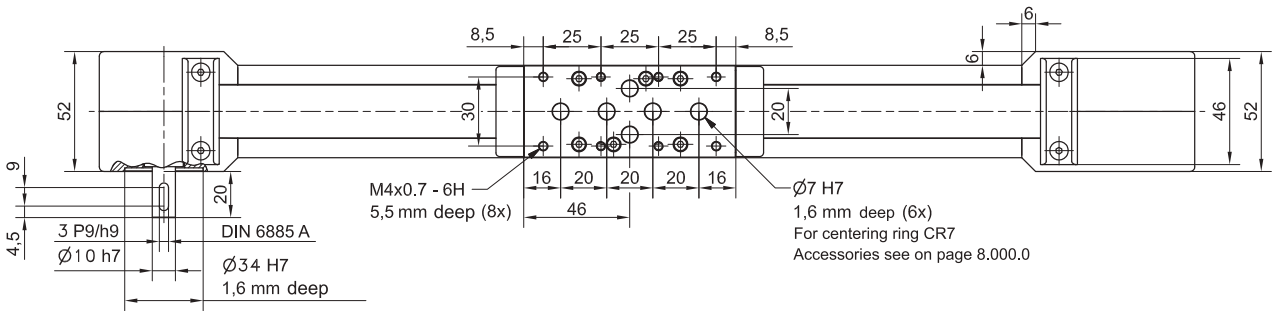


**DIMENSIONS**

**i** Linear Unit doesn't include any safety stroke.  
Absolute stroke = Effective stroke + 2 x Safety stroke



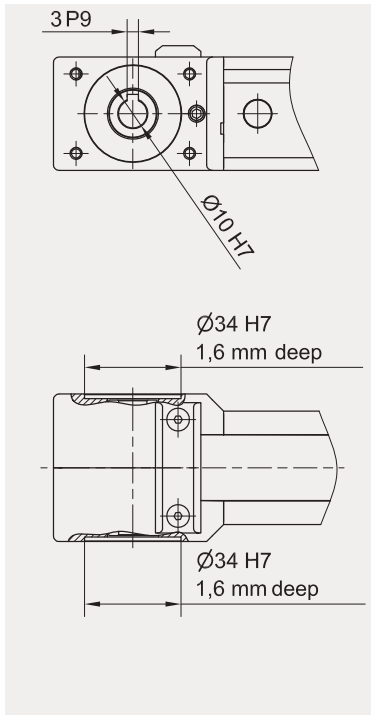
**i** Lifetime lubricated!



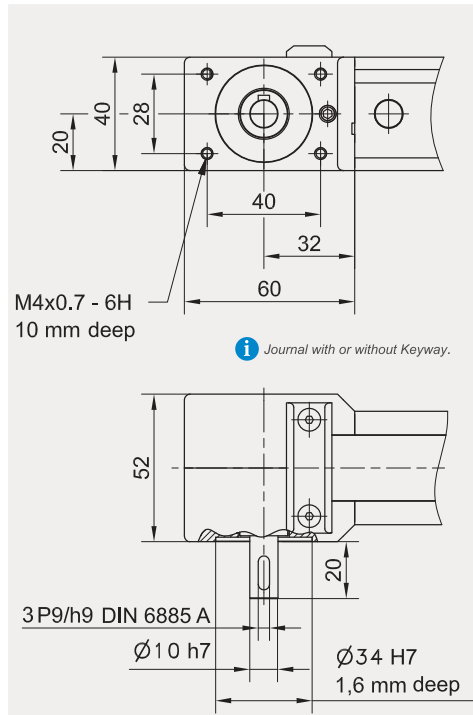
**i** Journal with or without Keyway.

**i** All dimensions in mm; Drawings scales are not equal.

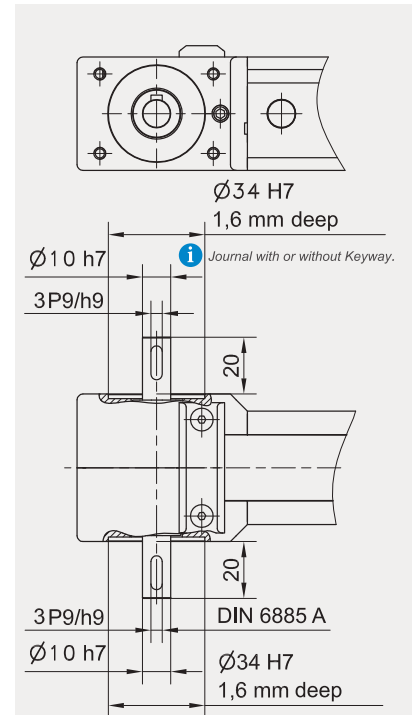
**TYPE 0**

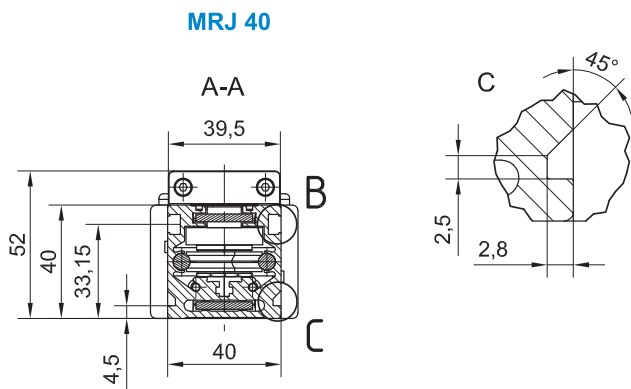
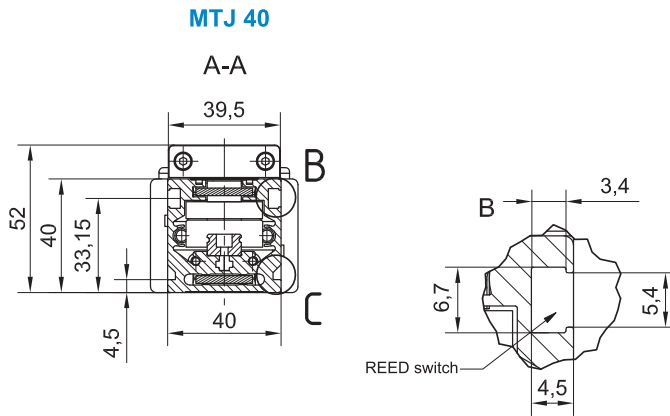


**TYPE 1 L and 1 R**

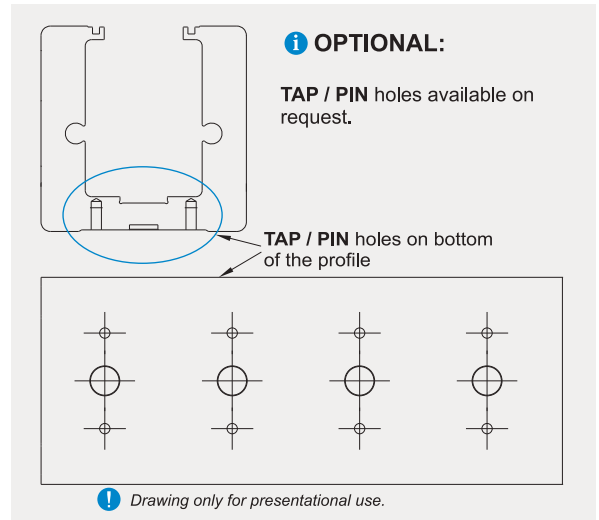


**TYPE 2**





**i** All dimensions in mm; Drawings scales are not equal.



**Mounting the drive**

- by the **MOTOR ADAPTER WITH COUPLING** (Page 8.020.0)

**i** Available on request.

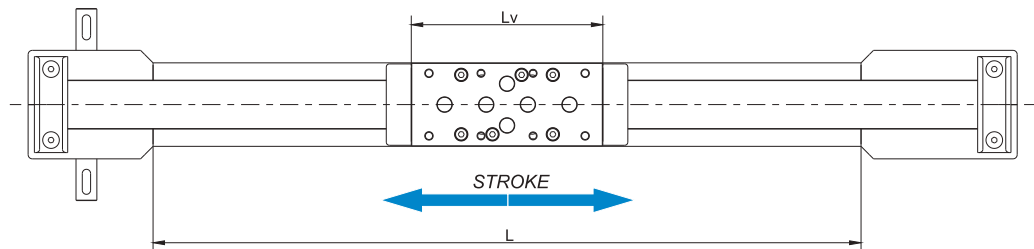
**Defining of the linear unit length**

**L = Effective stroke + 2 × Safety stroke + Lv + 32 mm**

**Lv = 92 mm**

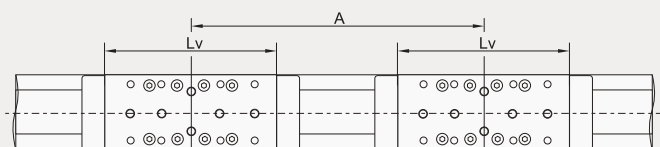
**Ltotal = L + 135 mm**

Left side (L)



Right side (R)

**Double-Carriage**



**i** For ordering code please contact us.

**L = Effective stroke + 2 × Safety stroke + Lv + A + 32 mm**

**Ltotal = L + 135 mm**

**A ≥ Lv + 24 mm** **i**

## TECHNICAL DATA

### General technical data

Linear Unit	Carriage length Lv [ mm ]	Dynamic load capacity			Dynamic moment			Max. permissible loads					Moved mass [ kg ]	Max. Repeatability [ mm ]	* Max. length Lmax [ mm ]	* Max. stroke [ mm ]	** Min. stroke [ mm ]
		C [ N ]	Cy [ N ]	Cz [ N ]	Mx [ Nm ]	My [ Nm ]	Mz [ Nm ]	Forces		Moments							
								Fpy [ N ]	Fpz [ N ]	Mpx [ Nm ]	Mpy [ Nm ]	Mpz [ Nm ]					
MTJ 65 S	140	9900	/	/	79	59	59	3270	5100	34	34	34	1,00	± 0,08		5820	40
MTJ 65 L	190	19800	/	/	158	1025	1025	6540	10190	60	530	340	1,45	± 0,08	6000	5770	40
MRJ 65 L	190	/	8600	4400	74	186	425	1920	1470	25	62	95	1,31	± 0,08		5770	0

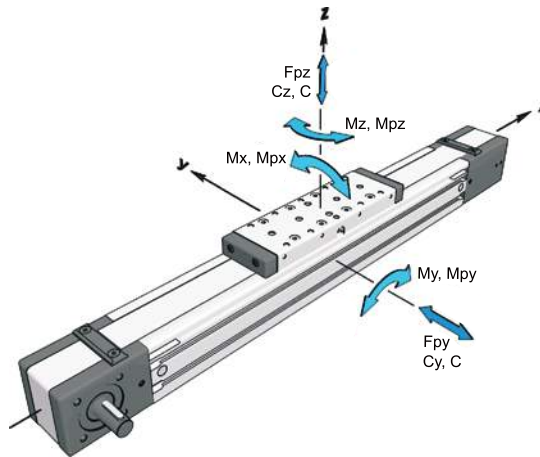
\* For lengths / stroke over the stated value in the table above please contact us.  
 Values for max. stroke are not valid for double carriage  
 (equation of defining the linear unit length for particular size of the linear unit needs to be used).  
 \*\* For minimum stroke below the stated value in the table above please contact us.

### Recommended values of loads

All the data of dynamic moments and load capacities stated in the upper table are theoretical without considering any safety factor. The safety factor depends on the application and its requested safety. We recommend a minimum safety factor (fs = 5.0)

### Modulus of elasticity :

$$E = 70000 \text{ N / mm}^2$$



Operating conditions	
Operating temp.	0°C ~ +60°C
Duty cycle	100%

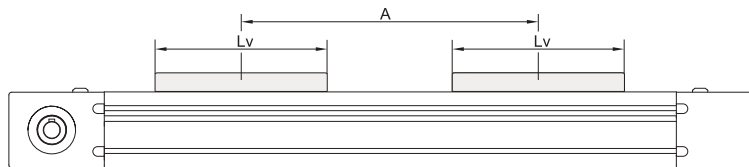
For operating temperature out of the presented range, please contact us.

### General technical data for double carriage

Linear Unit	Carriage version	Dynamic load capacity			* Dynamic moment			* Max. permissible loads				
		C [ N ]	Cy [ N ]	Cz [ N ]	Mx [ Nm ]	My [ Nm ]	Mz [ Nm ]	Forces		Moments		
								Fpy [ N ]	Fpz [ N ]	Mpx [ Nm ]	Mpy [ Nm ]	Mpz [ Nm ]
MTJ 65	S2	19800	/	/	158	9,9 * A [mm]	9,9 * A [mm]	6540	10190	68	5,1 * A [mm]	3,3 * A [mm]
MTJ 65	L2	39600	/	/	316	19,8 * A [mm]	19,8 * A [mm]	13080	20380	120	10,2 * A [mm]	6,5 * A [mm]
MRJ 65	L2	/	17200	8800	148	4,4 * A [mm]	8,6 * A [mm]	3850	2940	50	1,5 * A [mm]	1,9 * A [mm]

\* A - Distance between carriages. More info on following pages.

Presented values are for informational purposes only. Exact values can be calculated using our sizing selection tool on Unimotion web site.  
 For greater number of carriages please contact us.



### Drive and belt data

Linear Unit	* Max. travel speed [ m / s ]	Max. drive torque Ma [ Nm ]	** No load torque		Pulley drive ratio [ mm / rev ]	Pulley diameter [ mm ]	Belt type	Belt width [ mm ]	Max. force transmitted by belt [ N ]	Specific spring constant Cspec [ N ]	* Max. acceleration [ m/s <sup>2</sup> ]
			With strip [ Nm ]	Without strip [ Nm ]							
MTJ 65 S	6	13,1	1,1	0,8	165	52,52	AT 5	32	500	600000	70
MTJ 65 L			1,2	0,9							
MRJ 65 L	10		1	0,7							

\* Max. travel speed and max. acceleration of Linear unit with the Corrosion-resistant protection strip is 1,5 m/s and 50 m/s<sup>2</sup>, respectively.  
 For travel speed and acceleration over the stated value in the table above or diagrams please contact us.

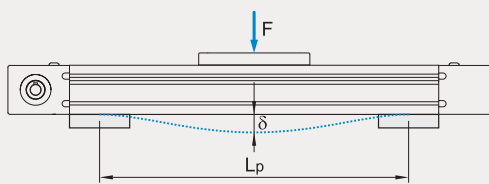
\*\* The stated values are for strokes up to 500mm. No Load Torque value increases with stroke elongation.

Mass and mass moment of inertia

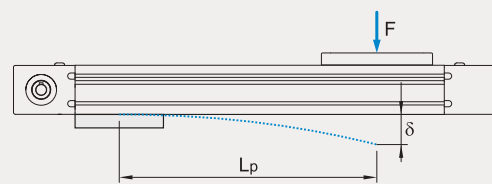
Linear Unit	Carriage length Lv [ mm ]	Mass of linear unit [ kg ]	Mass moment of inertia [ 10 <sup>-5</sup> kg * m <sup>2</sup> ]	Planar moment of inertia	
				Iy [ cm <sup>4</sup> ]	Iz [ cm <sup>4</sup> ]
MTJ 65 S	140	4 + 0,0055 * Stroke [ mm ]	98,4 + 0,0154 * Stroke [ mm ]	59,7	74,4
MTJ 65 L	190	4,6 + 0,0055 * Stroke [ mm ]	130,1 + 0,0154 * Stroke [ mm ]		
MRJ 65 L	190	4,3 + 0,0047 * Stroke [ mm ]	120,4 + 0,0154 * Stroke [ mm ]		

Deflection of the linear unit

Fixed - fixed mounting



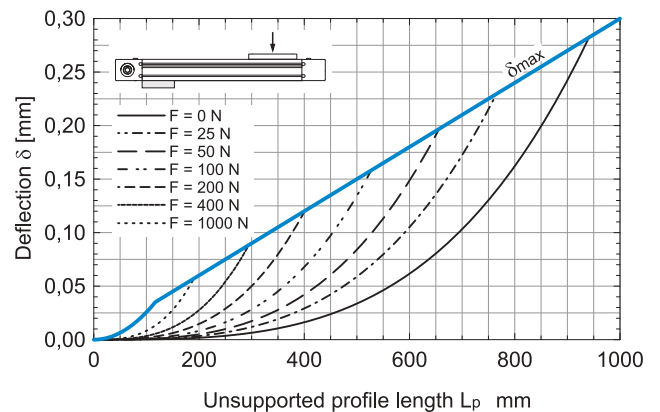
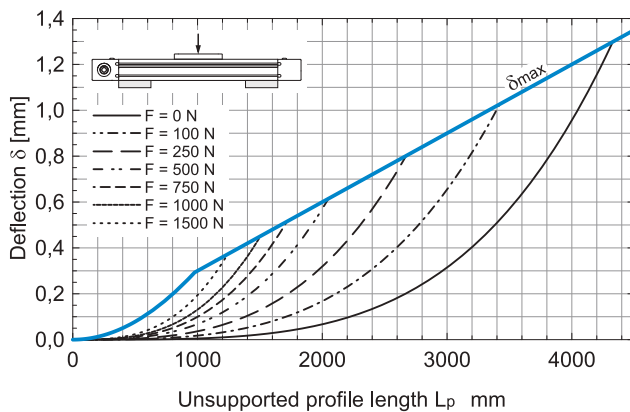
Fixed - free mounting



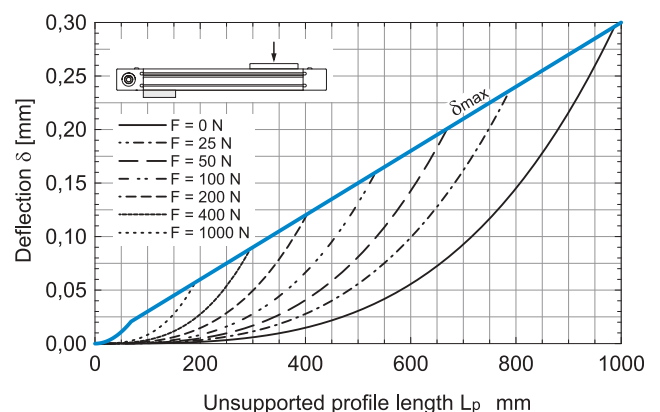
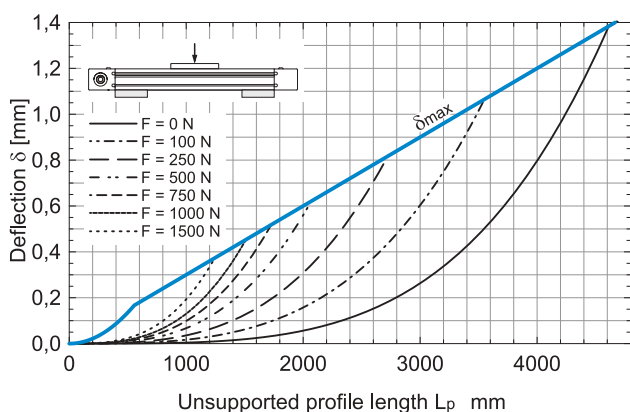
- δ Maximum deflection of the linear unit [mm]
- δmax Maximum permissible deflection of the linear unit [mm]
- F Applied force [N]
- Lp Unsupported profile length [mm]

**i** The maximum permissible deflection δmax must not be exceeded. In the case that maximum deflection δ exceeds the maximum permissible deflection δmax additional profile supports are needed.

MTJ 65



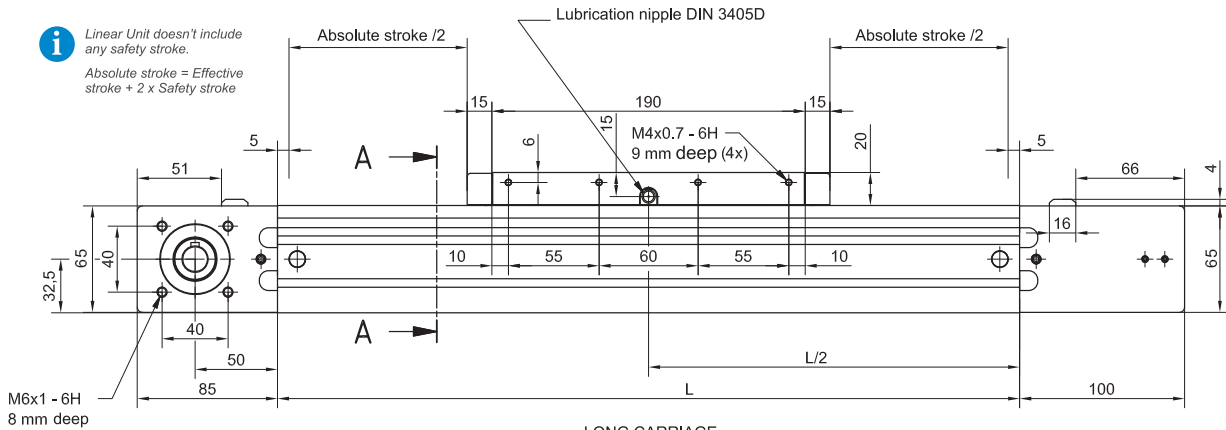
MRJ 65



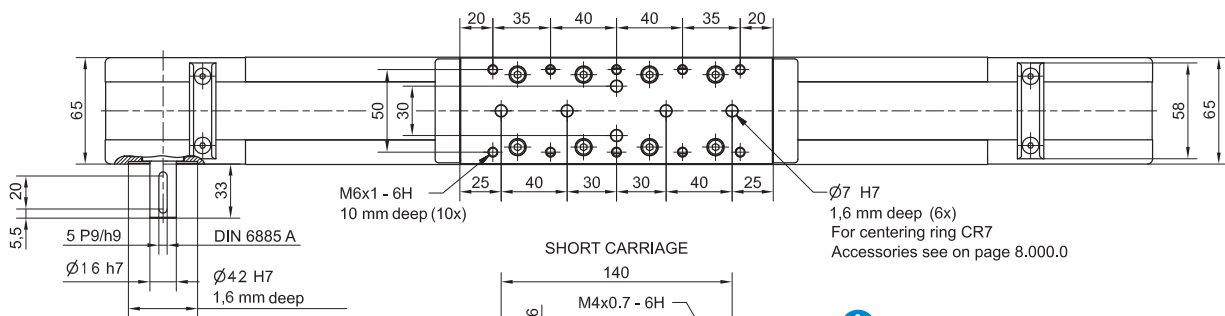
**DIMENSIONS**

**i** Linear Unit doesn't include any safety stroke.

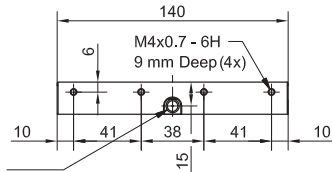
Absolute stroke = Effective stroke + 2 x Safety stroke



LONG CARRIAGE



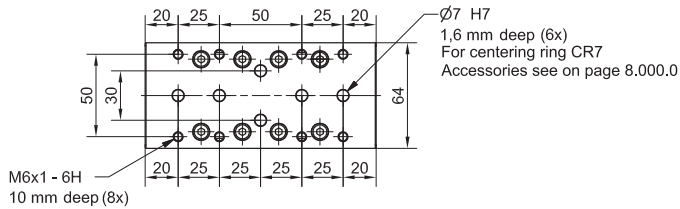
SHORT CARRIAGE



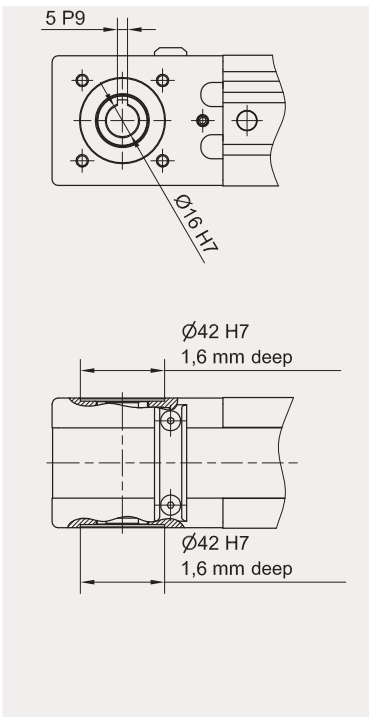
**i** Short carriage only for MTJ series!

**i** Journal with or without Keyway.

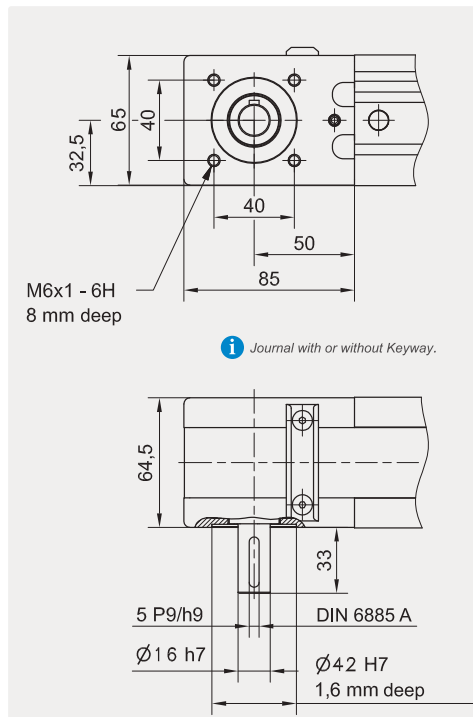
**i** All dimensions in mm; Drawings scales are not equal.



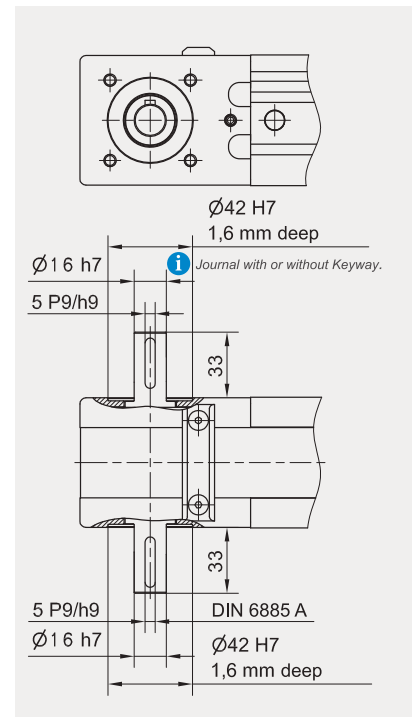
**TYPE 0**



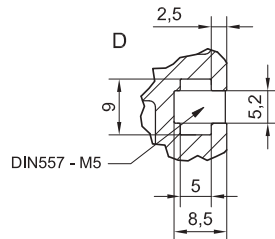
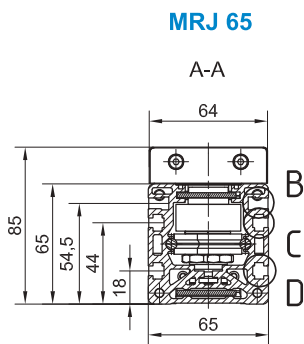
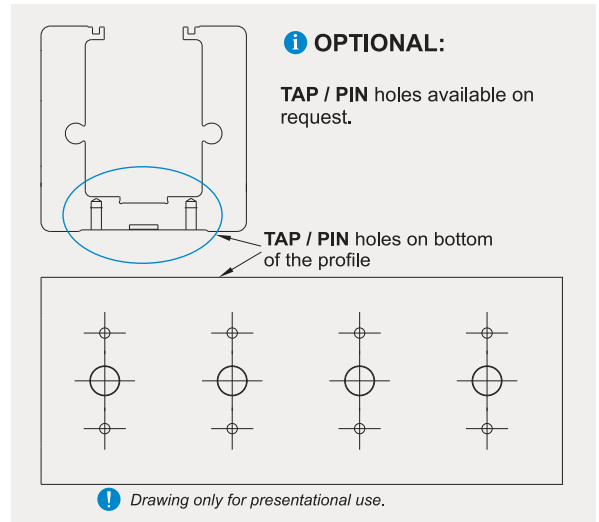
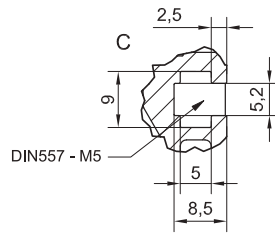
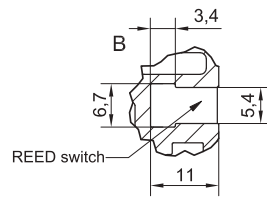
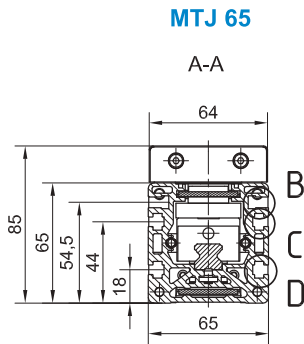
**TYPE 1 L and 1 R**



**TYPE 2**







**i** All dimensions in mm; Drawings scales are not equal.

**Mounting the drive**

- by the **MOTOR ADAPTER WITH COUPLING** (Page 8.020.0)

**i** Available on request.

**Defining of the linear unit length**

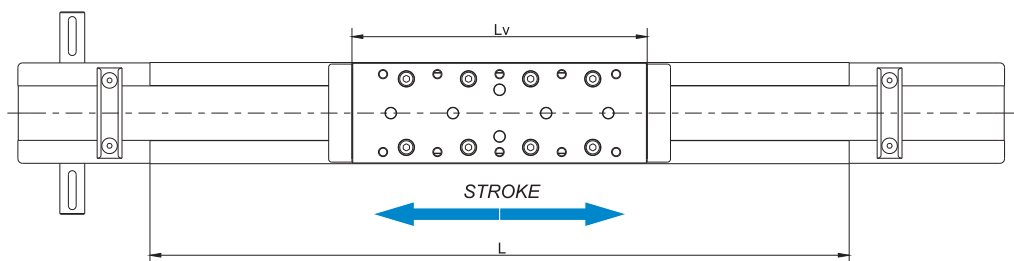
**L = Effective stroke + 2 × Safety stroke + Lv + 40 mm**

**Lv - Long carriage = 190 mm**

**Ltotal = L + 185 mm**

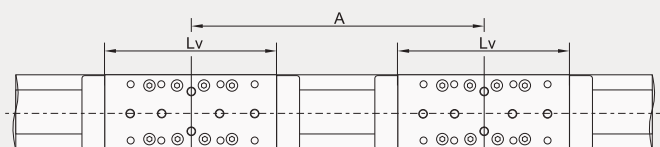
**Lv - Short carriage = 140 mm**

Left side (L)



Right side (R)

**Double-Carriage**



**i** For ordering code please contact us.

**L = Effective stroke + 2 × Safety stroke + Lv + A + 40 mm**  
**Ltotal = L + 185 mm** } **A ≥ Lv + 30 mm** **!**

## TECHNICAL DATA

### General technical data

Linear Unit	Carriage length Lv [ mm ]	Dynamic load capacity			Dynamic moment			Max. permissible loads					Moved mass [ kg ]	Max. Repeatability [ mm ]	* Max. length Lmax [ mm ]	* Max. stroke [ mm ]	** Min. stroke [ mm ]
		C [ N ]	Cy [ N ]	Cz [ N ]	Mx [ Nm ]	My [ Nm ]	Mz [ Nm ]	Forces		Moments							
								Fpy [ N ]	Fpz [ N ]	Mpx [ Nm ]	Mpy [ Nm ]	Mpz [ Nm ]					
MTJ 80 S	170	17100	/	/	185	130	130	4470	7530	110	122	100	1,72	± 0,08		5788	55
MTJ 80 L	260	34200	/	/	370	2565	2565	8930	15060	150	1130	670	2,72	± 0,08	6000	5698	55
MRJ 80 L	260	/	17100	9000	198	511	1145	3400	1760	39	101	228	2,73	± 0,08		5698	0

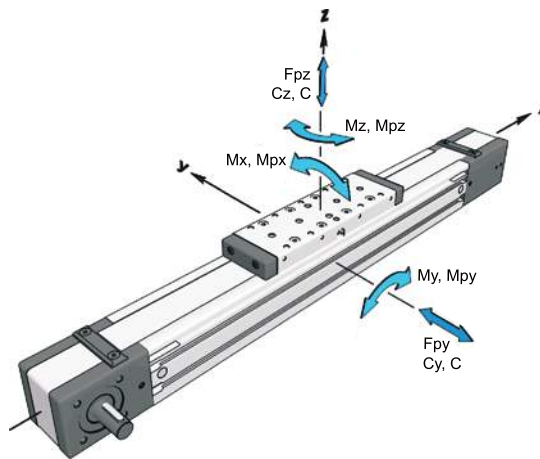
\* For lengths / stroke over the stated value in the table above please contact us.  
 Values for max. stroke are not valid for double carriage  
 (equation of defining the linear unit length for particular size of the linear unit needs to be used).  
 \*\* For minimum stroke below the stated value in the table above please contact us.

### **i** Recommended values of loads

All the data of dynamic moments and load capacities stated in the upper table are theoretical without considering any safety factor. The safety factor depends on the application and its requested safety. We recommend a minimum safety factor (fs = 5.0)

#### Modulus of elasticity :

$$E = 70000 \text{ N / mm}^2$$



Operating conditions	
Operating temp.	0°C ~ +60°C
Duty cycle	100%

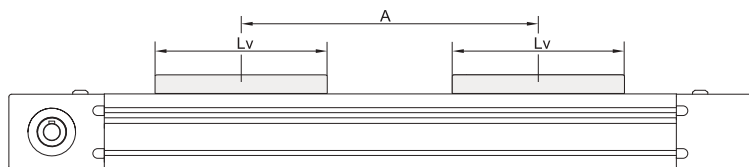
For operating temperature out of the presented range, please contact us.

### General technical data for double carriage

Linear Unit	Carriage version	Dynamic load capacity			* Dynamic moment			* Max. permissible loads				
		C [ N ]	Cy [ N ]	Cz [ N ]	Mx [ Nm ]	My [ Nm ]	Mz [ Nm ]	Forces		Moments		
								Fpy [ N ]	Fpz [ N ]	Mpx [ Nm ]	Mpy [ Nm ]	Mpz [ Nm ]
MTJ 80	S2	34200	/	/	370	17,1 * A [mm]	17,1 * A [mm]	8930	15060	220	7,5 * A [mm]	4,5 * A [mm]
MTJ 80	L2	68400	/	/	740	34,2 * A [mm]	34,2 * A [mm]	17860	30130	300	15,1 * A [mm]	8,9 * A [mm]
MRJ 80	L2	/	34200	18000	396	9,0 * A [mm]	17,1 * A [mm]	6800	3530	78	1,8 * A [mm]	3,4 * A [mm]

\* A - Distance between carriages. More info on following pages.

**i** Presented values are for informational purposes only. Exact values can be calculated using our sizing selection tool on Unimotion web site.  
 For greater number of carriages please contact us.



### Drive and belt data

Linear Unit	* Max. travel speed [ m / s ]	Max. drive torque Ma [ Nm ]	** No load torque		Pulley drive ratio [ mm / rev ]	Pulley diameter [ mm ]	Belt type	Belt width [ mm ]	Max. force transmitted by belt [ N ]	Specific spring constant Cspec [ N ]	* Max. acceleration [ m/s <sup>2</sup> ]
			With strip [ Nm ]	Without strip [ Nm ]							
MTJ 80 S	6	29,4	1,5	1,2	210	66,84	AT 5	50	880	960000	70
MTJ 80 L			1,7	1,4							
MRJ 80 L	10		1,4	1,1							

\* Max. travel speed and max. acceleration of Linear unit with the Corrosion-resistant protection strip is 1,5 m/s and 50 m/s<sup>2</sup>, respectively.  
 For travel speed and acceleration over the stated value in the table above or diagrams please contact us.

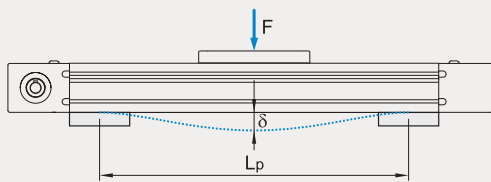
\*\* The stated values are for strokes up to 500mm. No Load Torque value increases with stroke elongation.

Mass and mass moment of inertia

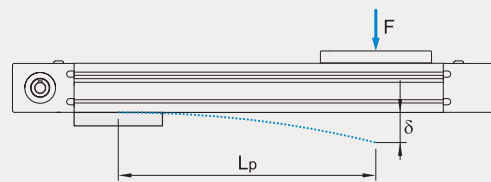
Linear Unit	Carriage length Lv [ mm ]	Mass of linear unit [ kg ]	Mass moment of inertia [ 10 <sup>-5</sup> kg * m <sup>2</sup> ]	Planar moment of inertia	
				Iy [ cm <sup>4</sup> ]	Iz [ cm <sup>4</sup> ]
MTJ 80 S	170	6,8 + 0,0085 * Stroke [ mm ]	310,6 + 0,0391 * Stroke [ mm ]	129,1	173,4
MTJ 80 L	260	8,4 + 0,0085 * Stroke [ mm ]	423,3 + 0,0391 * Stroke [ mm ]		
MRJ 80 L	260	8,2 + 0,0075 * Stroke [ mm ]	424,4 + 0,0391 * Stroke [ mm ]		

Deflection of the linear unit

Fixed - fixed mounting



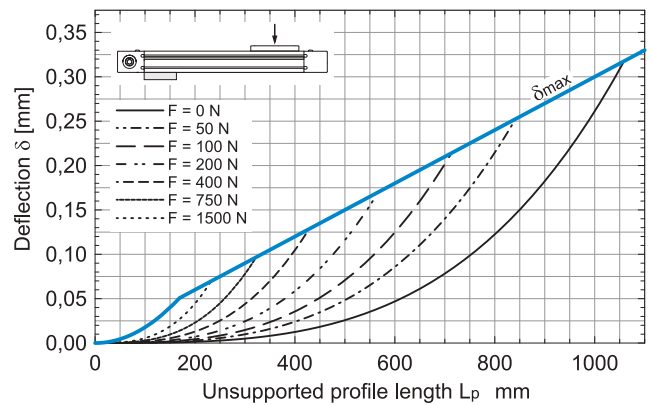
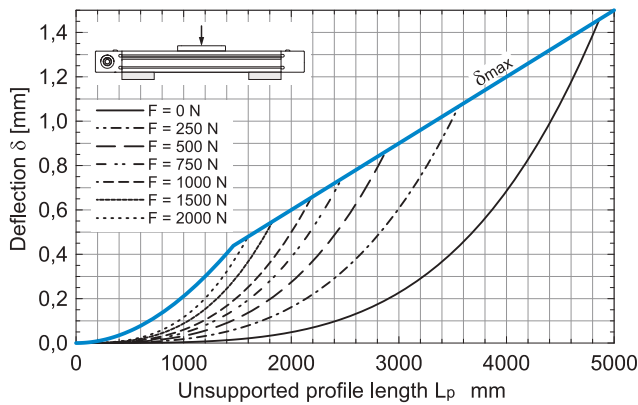
Fixed - free mounting



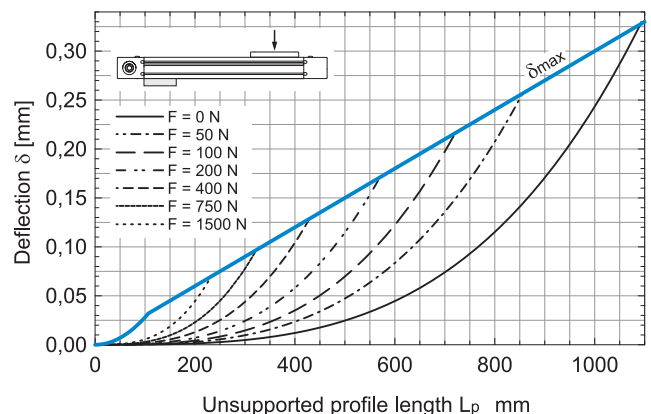
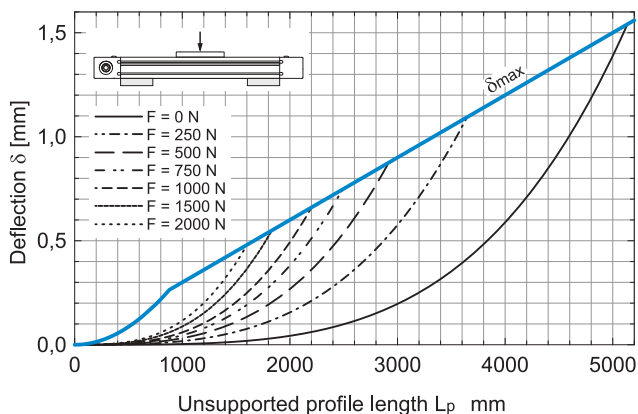
- δ Maximum deflection of the linear unit [mm]
- δ<sub>max</sub> Maximum permissible deflection of the linear unit [mm]
- F Applied force [N]
- L<sub>p</sub> Unsupported profile length [mm]

**i** The maximum permissible deflection δ<sub>max</sub> must not be exceeded. In the case that maximum deflection δ exceeds the maximum permissible deflection δ<sub>max</sub> additional profile supports are needed.

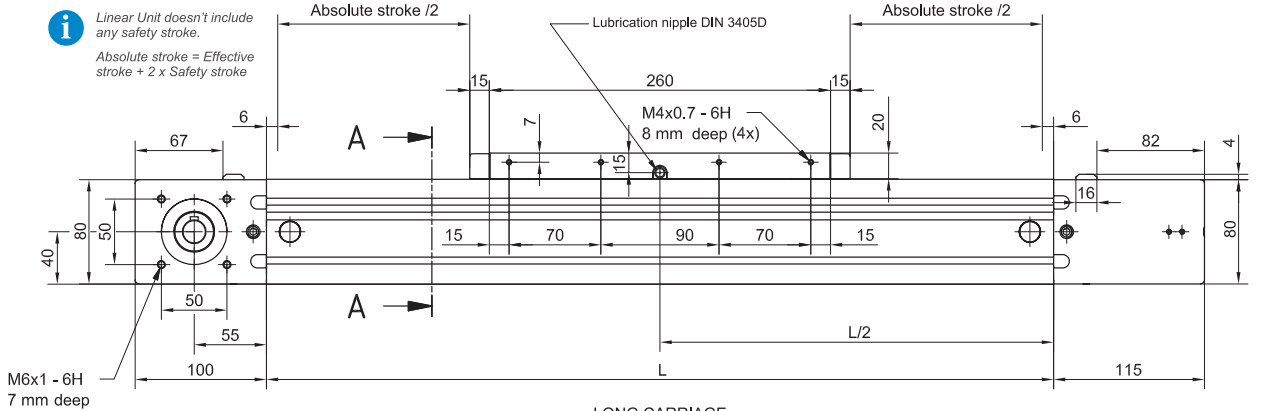
MTJ 80



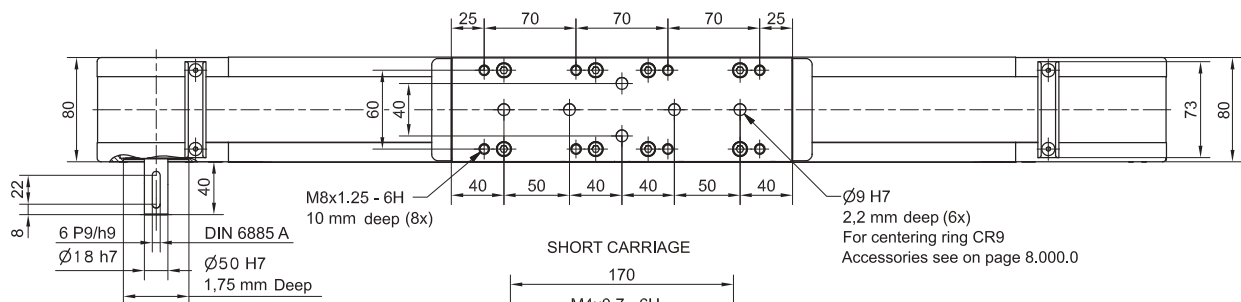
MRJ 80



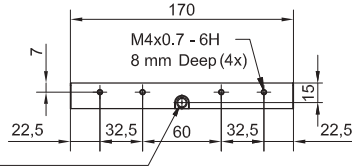
## DIMENSIONS



LONG CARRIAGE



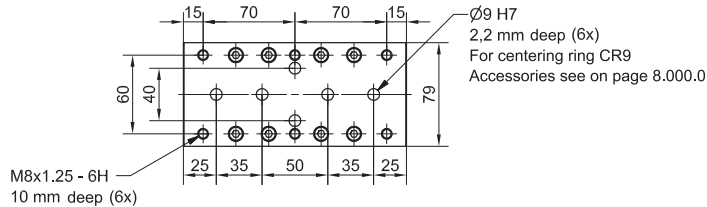
SHORT CARRIAGE



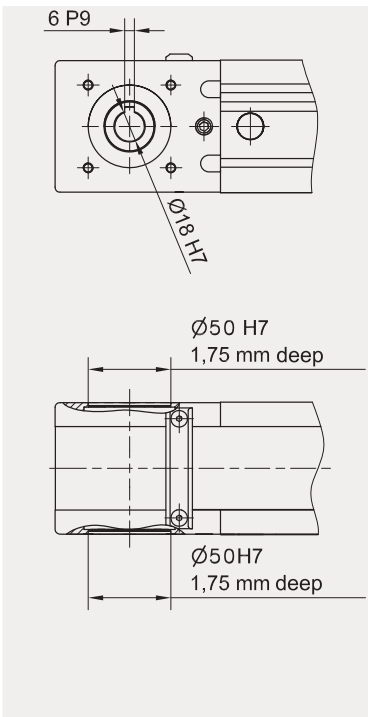
**i** Short carriage only for MTJ series!

**i** Journal with or without Keyway.

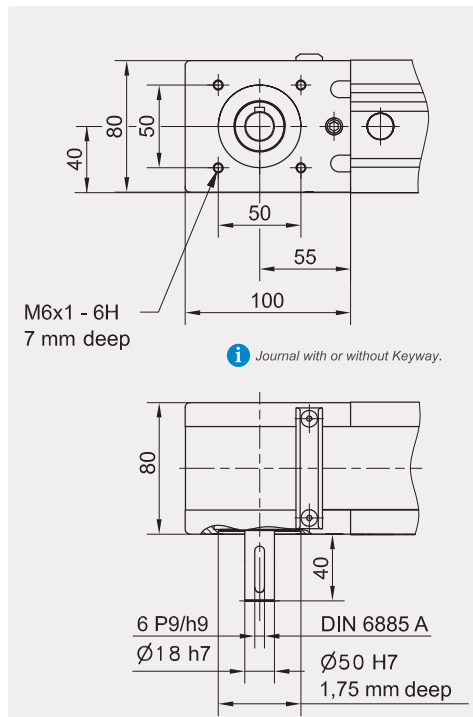
**i** All dimensions in mm;  
Drawings scales are not equal.



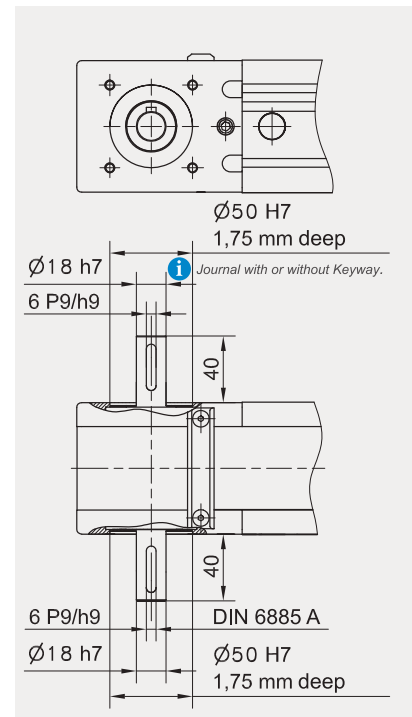
TYPE 0

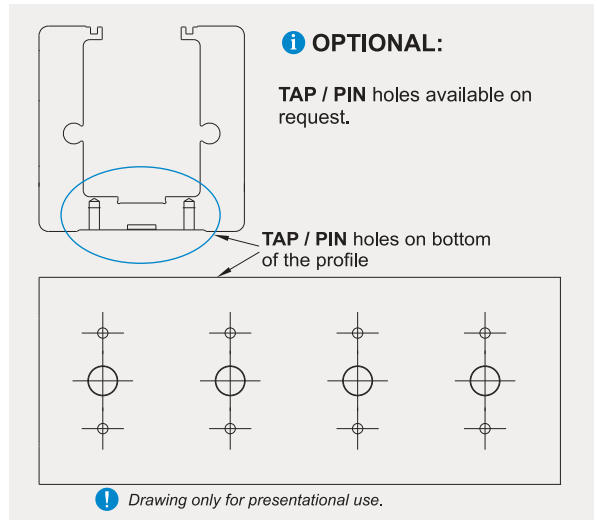
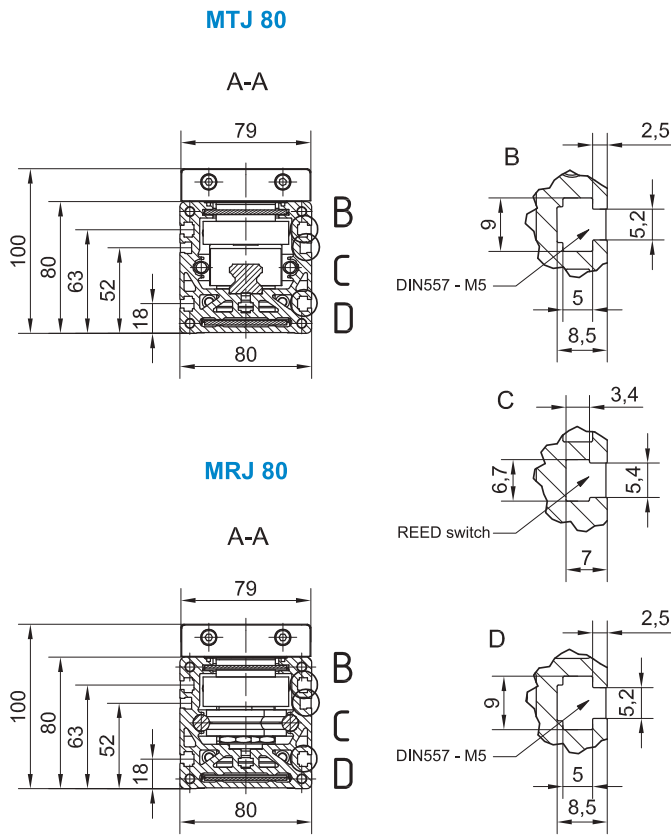


TYPE 1 L and 1 R



TYPE 2





**i** All dimensions in mm; Drawings scales are not equal.

**Mounting the drive**

- by the **MOTOR ADAPTER WITH COUPLING** (Page 8.020.0)

**i** Available on request.

**Defining of the linear unit length**

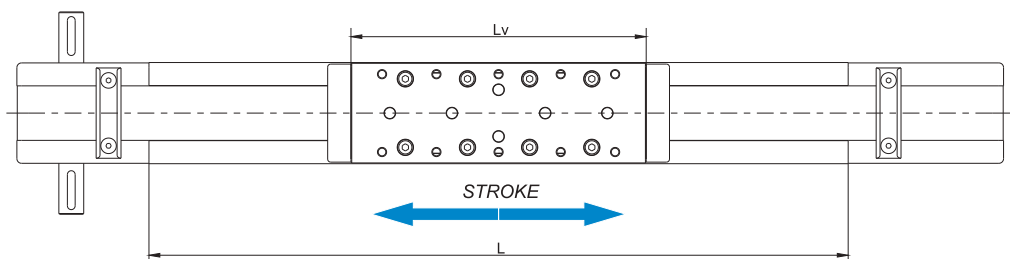
**L = Effective stroke + 2 × Safety stroke + Lv + 42 mm**

**Lv - Long carriage = 260 mm**

**Ltotal = L + 215 mm**

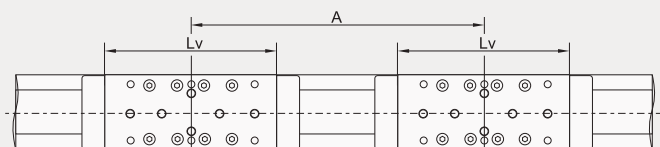
**Lv - Short carriage = 170 mm**

Left side (L)



Right side (R)

**Double-Carriage**



**i** For ordering code please contact us.

**L = Effective stroke + 2 × Safety stroke + Lv + A + 42 mm**  
**Ltotal = L + 215 mm** } **A ≥ Lv + 30 mm** **!**

## TECHNICAL DATA

### General technical data

Linear Unit	Carriage length Lv [ mm ]	Dynamic load capacity			Dynamic moment			Max. permissible loads					Moved mass [ kg ]	Max. Repeatability [ mm ]	* Max. length Lmax [ mm ]	* Max. stroke [ mm ]	** Min. stroke [ mm ]
		C [ N ]	Cy [ N ]	Cz [ N ]	Mx [ Nm ]	My [ Nm ]	Mz [ Nm ]	Forces		Moments							
								Fpy [ N ]	Fpz [ N ]	Mpx [ Nm ]	Mpy [ Nm ]	Mpz [ Nm ]					
MTJ 110 S	240	24800	/	/	315	220	220	5000	10130	135	180	100	3,25	± 0,08		5748	65
MTJ 110 L	330	49600	/	/	630	3840	3840	10000	20260	295	1570	775	4,61	± 0,08	6000	5658	65
MRJ 110 L	330	/	31000	14000	406	877	2325	6200	3410	99	214	465	4,78	± 0,08		5658	0

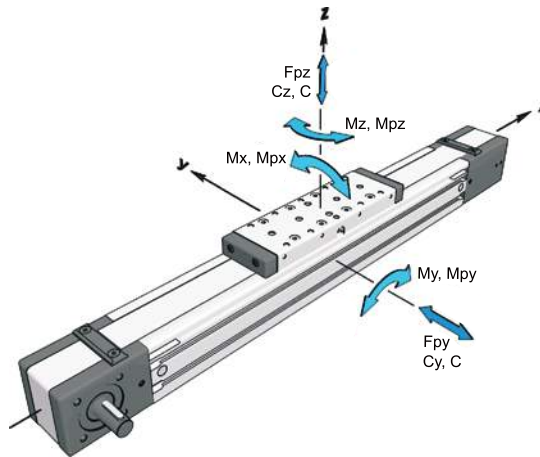
\* For lengths / stroke over the stated value in the table above please contact us.  
 Values for max. stroke are not valid for double carriage  
 (equation of defining the linear unit length for particular size of the linear unit needs to be used).  
 \*\* For minimum stroke below the stated value in the table above please contact us.

### Recommended values of loads

All the data of dynamic moments and load capacities stated in the upper table are theoretical without considering any safety factor. The safety factor depends on the application and its requested safety. We recommend a minimum safety factor (fs = 5.0)

### Modulus of elasticity :

$$E = 70000 \text{ N / mm}^2$$



Operating conditions	
Operating temp.	0°C ~ +60°C
Duty cycle	100%

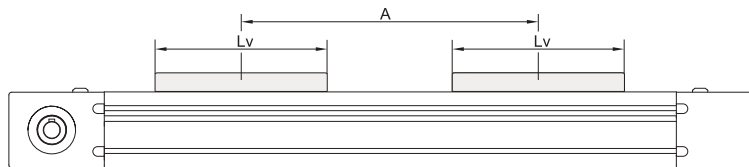
For operating temperature out of the presented range, please contact us.

### General technical data for double carriage

Linear Unit	Carriage version	Dynamic load capacity			* Dynamic moment			* Max. permissible loads				
		C [ N ]	Cy [ N ]	Cz [ N ]	Mx [ Nm ]	My [ Nm ]	Mz [ Nm ]	Forces		Moments		
								Fpy [ N ]	Fpz [ N ]	Mpx [ Nm ]	Mpy [ Nm ]	Mpz [ Nm ]
MTJ 110	S2	49600	/	/	630	24,8 * A [mm]	24,8 * A [mm]	10000	20260	270	10,1 * A [mm]	5,0 * A [mm]
MTJ 110	L2	99200	/	/	1260	49,6 * A [mm]	49,6 * A [mm]	20000	40520	590	20,3 * A [mm]	10,0 * A [mm]
MRJ 110	L2	/	62000	28000	812	14,0 * A [mm]	31,0 * A [mm]	12400	6830	198	3,4 * A [mm]	6,2 * A [mm]

\* A - Distance between carriages. More info on following pages.

Presented values are for informational purposes only. Exact values can be calculated using our sizing selection tool on Unimotion web site.  
 For greater number of carriages please contact us.



### Drive and belt data

Linear Unit	* Max. travel speed [ m / s ]	Max. drive torque Ma [ Nm ]	** No load torque		Pulley drive ratio [ mm / rev ]	Pulley diameter [ mm ]	Belt type	Belt width [ mm ]	Max. force transmitted by belt [ N ]	Specific spring constant Cspec [ N ]	* Max. acceleration [ m/s <sup>2</sup> ]
			With strip [ Nm ]	Without strip [ Nm ]							
MRJ 110 L	10	68,5 with Keyway 82,6 without Keyway	2,2	2	300	95,49	AT 10	50	1730	2145000	70
MTJ 110 S	6		2,2	2							
MTJ 110 L			2,7	3							

\* Max. travel speed and max. acceleration of Linear unit with the Corrosion-resistant protection strip is 1,5 m/s and 50 m/s<sup>2</sup>, respectively.  
 For travel speed and acceleration over the stated value in the table above or diagrams please contact us.

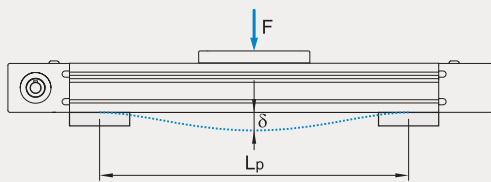
\*\* The stated values are for strokes up to 500mm. No Load Torque value increases with stroke elongation.

Mass and mass moment of inertia

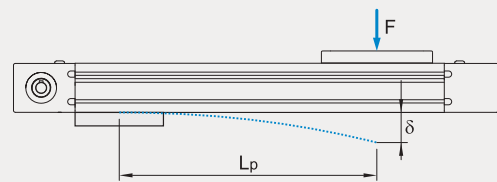
Linear Unit	Carriage length Lv [ mm ]	Mass of linear unit [ kg ]	Mass moment of inertia [ 10 <sup>-5</sup> kg * m <sup>2</sup> ]	Planar moment of inertia	
				Iy [ cm <sup>4</sup> ]	Iz [ cm <sup>4</sup> ]
MTJ 110 S	240	15 + 0,015 * Stroke [ mm ]	1065,0 + 0,1370 * Stroke [ mm ]	513,0	620,0
MTJ 110 L	330	17,7 + 0,015 * Stroke [ mm ]	1381,0 + 0,1370 * Stroke [ mm ]		
MRJ 110 L	330	16,3 + 0,0133 * Stroke [ mm ]	1420,0 + 0,1370 * Stroke [ mm ]		

Deflection of the linear unit

Fixed - fixed mounting



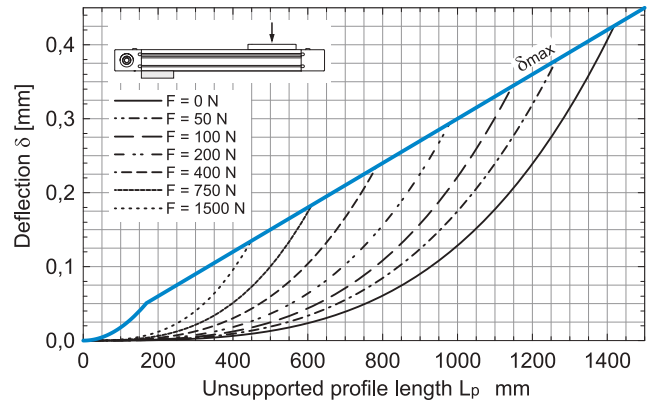
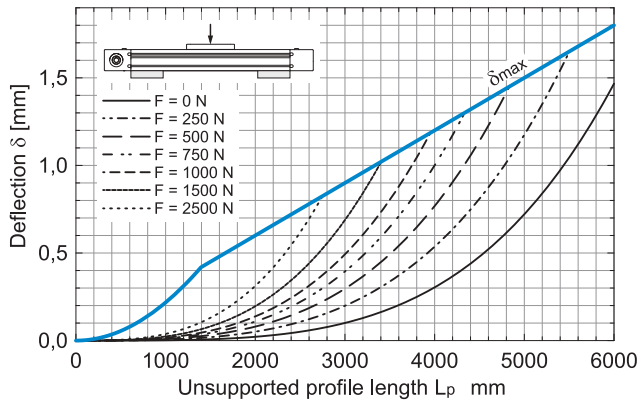
Fixed - free mounting



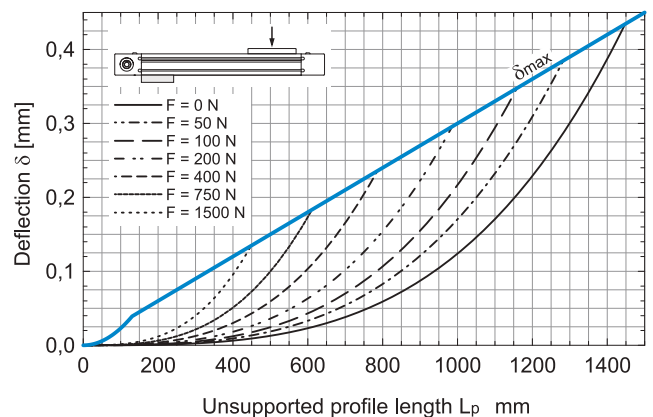
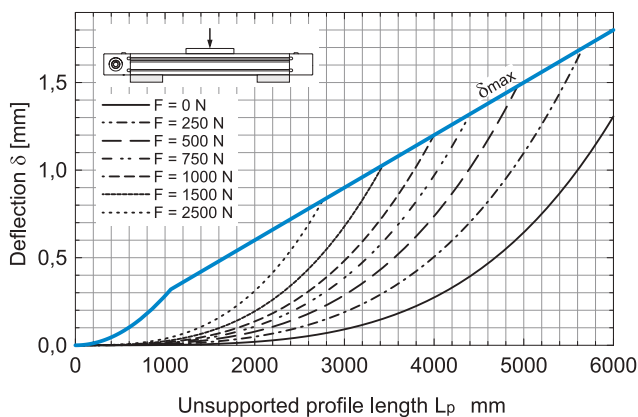
- δ Maximum deflection of the linear unit [mm]
- δmax Maximum permissible deflection of the linear unit [mm]
- F Applied force [N]
- Lp Unsupported profile length [mm]

**i** The maximum permissible deflection δmax must not be exceeded. In the case that maximum deflection δ exceeds the maximum permissible deflection δmax additional profile supports are needed.

MTJ 110

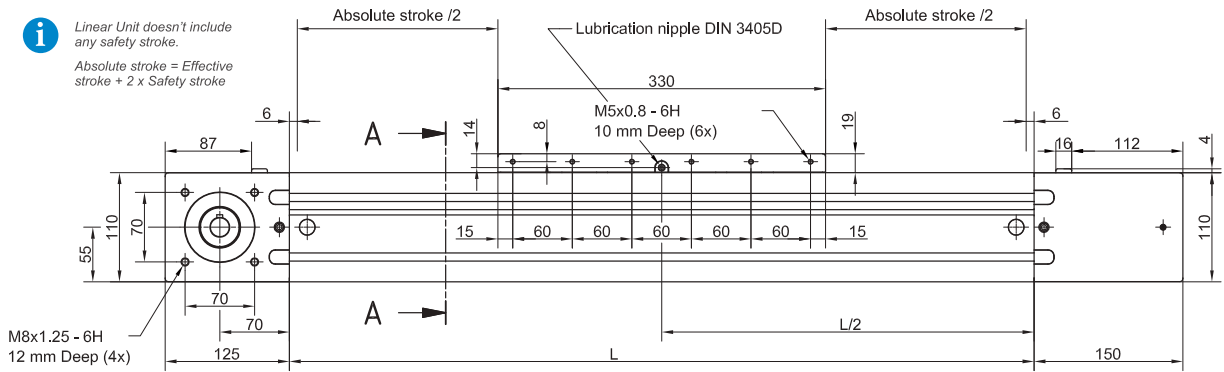


MRJ 110

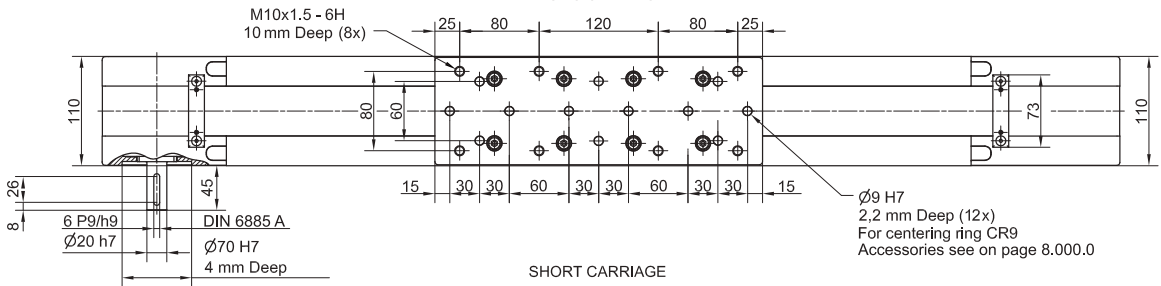


## DIMENSIONS

**i** Linear Unit doesn't include any safety stroke.  
Absolute stroke = Effective stroke + 2 x Safety stroke

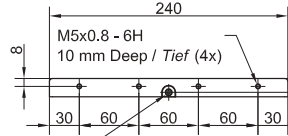


LONG CARRIAGE



SHORT CARRIAGE

**i** Journal with or without Keyway.

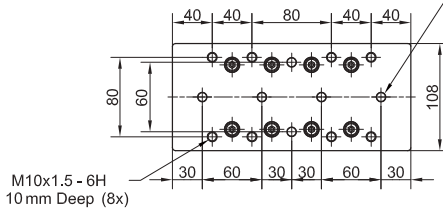


**i** Short carriage only for MTJ series!

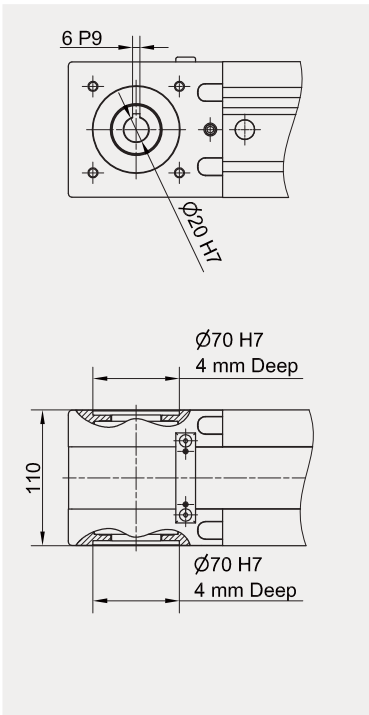
Lubrication nipple DIN 3405D

Ø9 H7  
2,2 mm Deep / Tief (6x)  
For centering ring CR9  
Accessories see on page 8.000.0

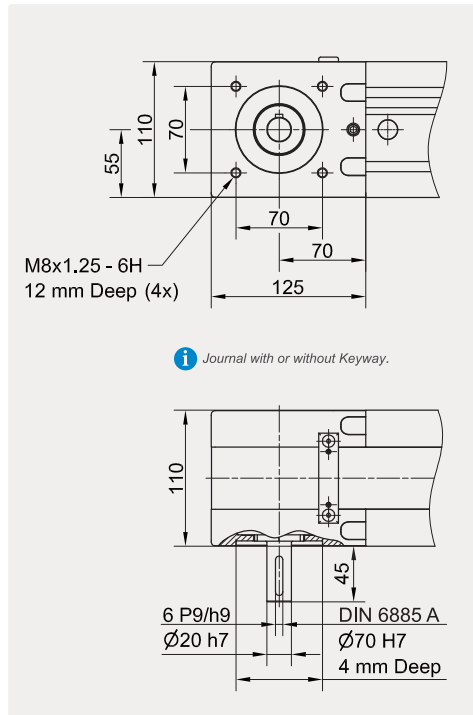
**i** All dimensions in mm;  
Drawings scales are not equal.



TYPE 0

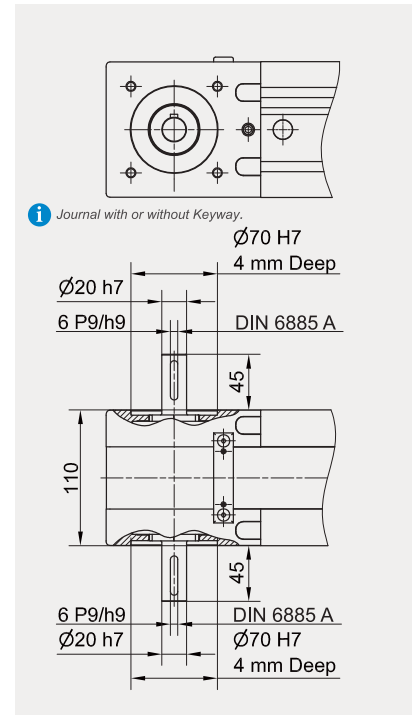


TYPE 1 L and 1 R



**i** Journal with or without Keyway.

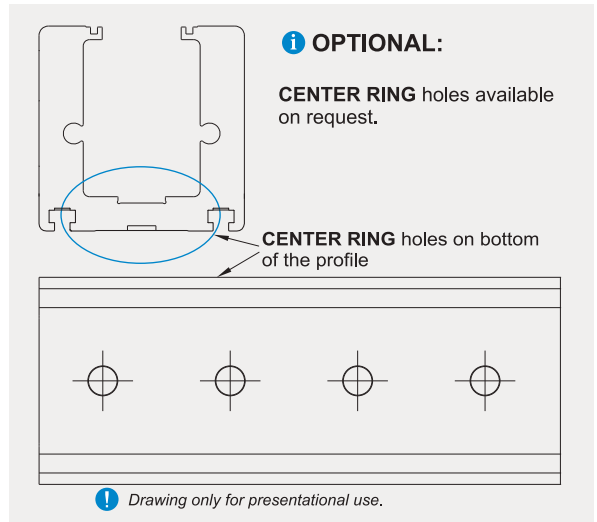
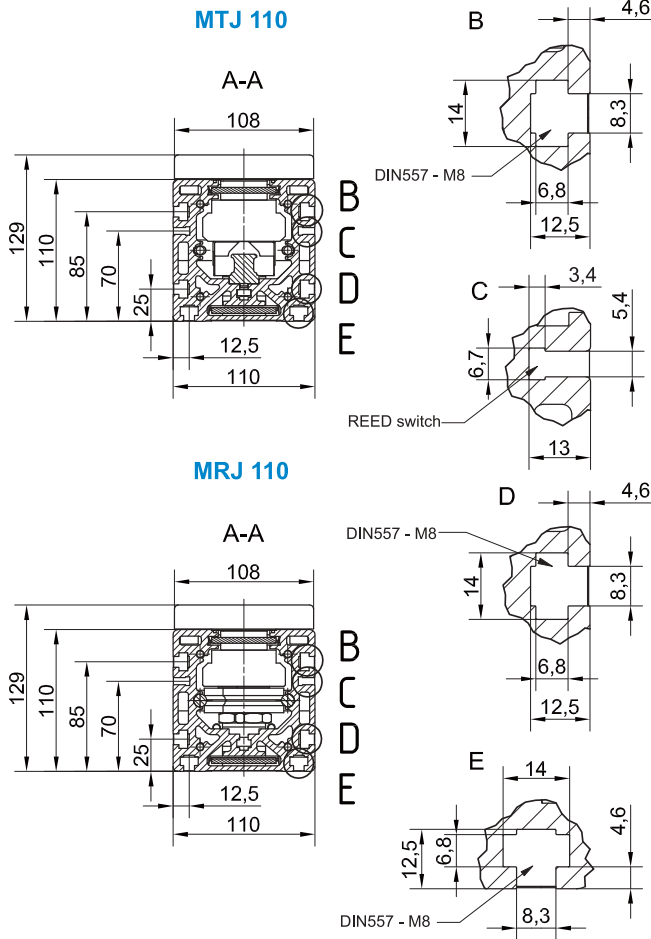
TYPE 2



**i** Journal with or without Keyway.



**DIMENSIONS**



**Mounting the drive**

- by the **MOTOR ADAPTER WITH COUPLING** (Page 8.020.0)

**i** Available on request.

**i** All dimensions in mm; Drawings scales are not equal.

**Defining of the linear unit length**

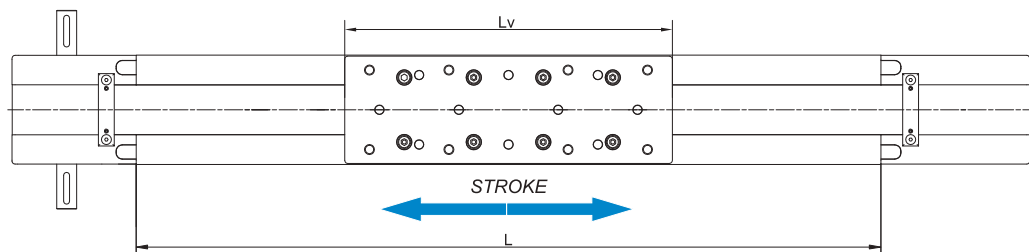
**L = Effective stroke + 2 × Safety stroke + Lv + 12 mm**

**Lv - Long carriage = 330 mm**

**Ltotal = L + 275 mm**

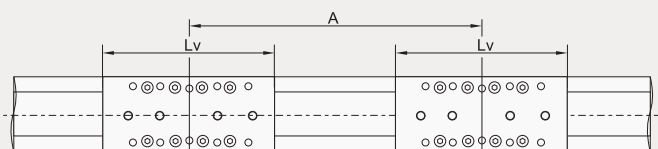
**Lv - Short carriage = 240 mm**

Left side (L)



Right side (R)

**Double Carriage**



**i** For ordering code please contact us.

**L = Effective stroke + 2 × Safety stroke + Lv + A + 12 mm**  
**Ltotal = L + 275 mm** } **A ≥ Lv** **!**



The **MTV** series describes Linear Units with precision ball screw drive, integrated guide rail and compact dimensions. They provide high performances features, such as high speeds, good accuracy and repeatability.

They can easily be combined to multi-axis systems.

Excellent price-/performance ratio and quick delivery time are ensured.

The compact, precision-extruded aluminum Profile from 6063 AL with integrated Zero-backlash Ball rail guide system, allows high load capacities and optimal cycles for the movement of larger masses at high speed.

In the Linear Units MTV a precision ball screw, with tolerance class ISO7 ( ISO5 on request), with reduced backlash of the ball nut is used.

A corrosion-resistant protection strip, protects all the parts in the profile from dust and other contaminants. The aluminum profile includes T-slots for fixing the Linear Unit and for attaching sensors and switches. Also, a Reed switch can be used here.

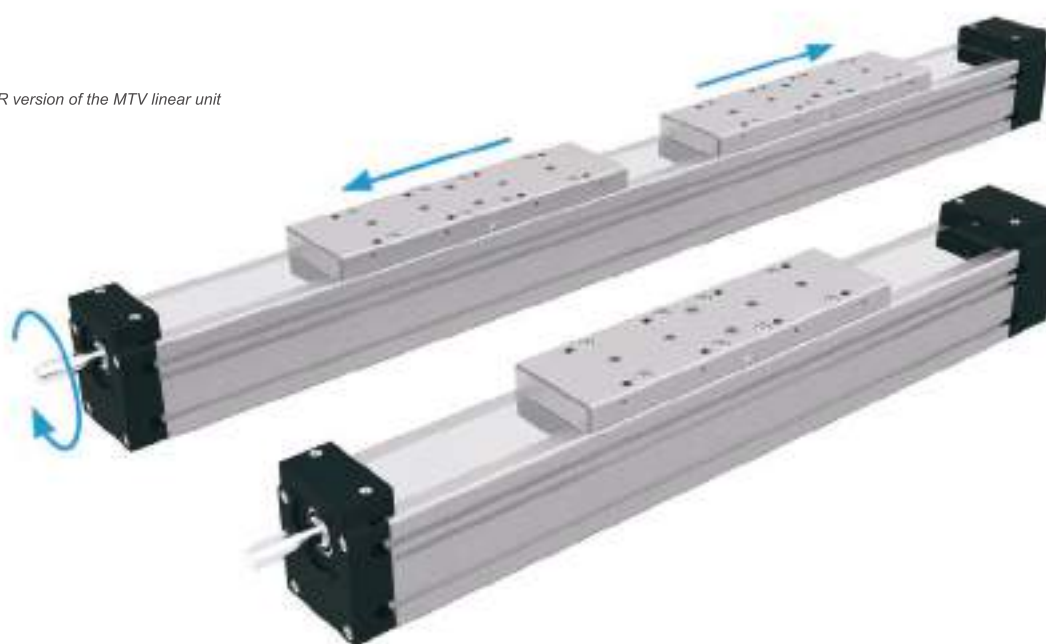
The carriage, with central lubrication port, allows easy central re-lubrication of ball screw and Ball rail guide and provides the possibility to attach additional accessories on the side.

For the Linear Units MTV various adaptation options, for attaching (or redirecting), for Motors or Gearboxes are available.

To achieve higher speeds at the same stroke of the linear unit, the ball screw support system can be integrated. With this feature vibrations and deflections of the ball screw are reduced, therefore longer strokes are possible. The linear unit with integrated support system can have a higher axial load capacity. Ball screw supports are made out of high quality plastic materials with high wear resistance properties. Our system enables ball screw support in horizontal or vertical positioning of the linear unit.

A 2LR version of MTV linear unit is available, where two carriages are moving simultaneously in opposite directions. Both right and left handed precision ball screws are used, which are rigidly connected. The ball screw support system can also be integrated.

**i** 2LR version of the MTV linear unit

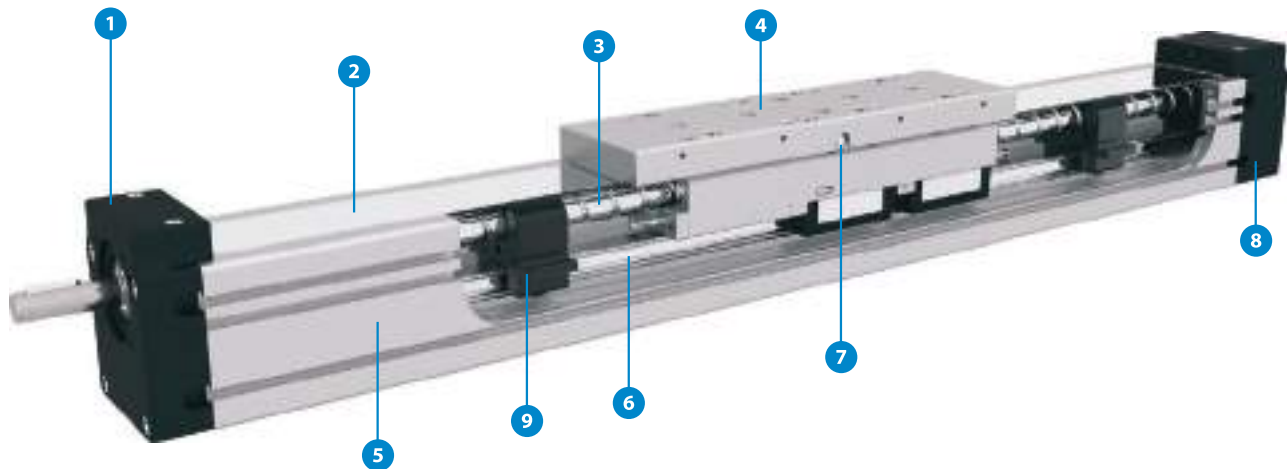


**i** The aluminium profiles are manufactured according to the medium EN 12020-2 standard

Straightness = 0,35 mm/m; Max. torsion = 0,35 mm/m; Angular torsion = 0,2 mm/40 mm; Parallelism = 0,2 mm

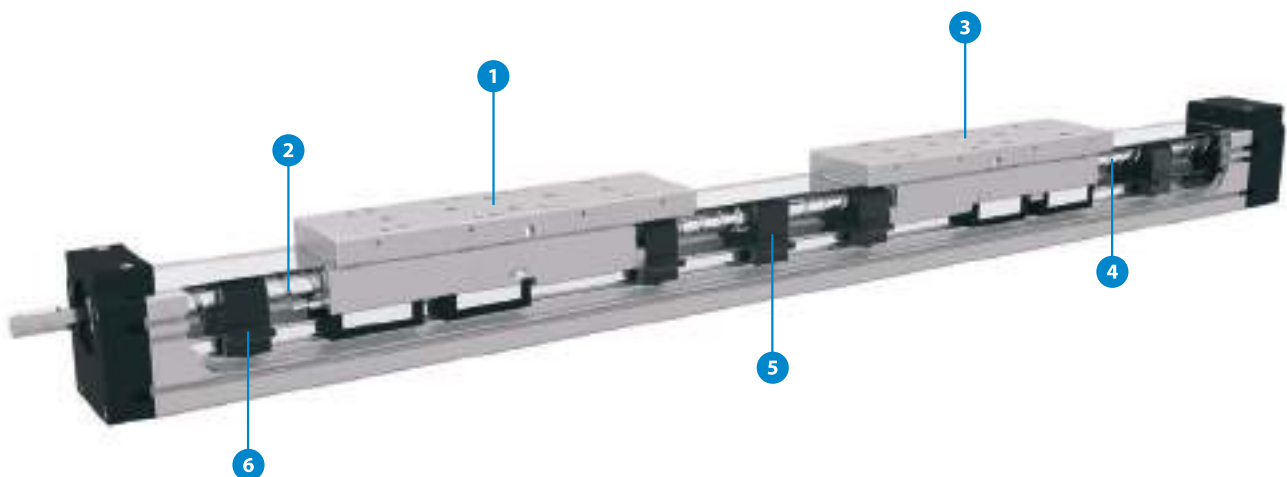
**STRUCTURAL DESIGN**

**Standard version**



- 1 - Drive block with floating bearing (MTV 110 - fixed bearing)
- 2 - Corrosion-resistant protection strip
- 3 - Ball screw tolerance ISO7 (ISO5 available on request)
- 4 - Carriage; with built in Magnets
- 5 - Aluminium profile-Hard anodized
- 6 - Integrated Linear Ball Guideway
- 7 - Central lubrication port; both sides
- 8 - End block with fixed bearing (MTV 110 - floating bearing)
- 9 - Screw support - SA

**2LR version**



- 1 - Carriage; with built in right hand ball nut
- 2 - Right hand ball screw
- 3 - Carriage; with built in left hand ball nut
- 4 - Left hand ball screw
- 5 - Central screw support - fixed
- 6 - Screw support - SA

**MTV - 65 - 1610 - ISO7 - 1 - 1000 - 2SA - 2LR**

Series : \_\_\_\_\_

**MTV**

Size : \_\_\_\_\_

**65**

**80**

**110**

Ball screw : \_\_\_\_\_

**MTV 65:** Ø16×5, Ø16×10, Ø16×16

**MTV 80:** Ø20×5, Ø20×10, Ø20×20, Ø20×50

**MTV 110:** Ø32×5, Ø32×10, Ø32×20, Ø32×32

Ball screw tolerance : \_\_\_\_\_

**ISO7** (Standard)

**ISO5**

Ball screw journal : \_\_\_\_\_

**0** : Without keyway

**1** : With keyway

Absolute stroke (mm) : \_\_\_\_\_

(Absolute stroke = Effective stroke + 2 x Safety stroke)

! **2LR version:** Absolute stroke of one carriage.

Number of screw supports  $n_{SA}$  : \_\_\_\_\_

(only even integer number - 2, 4, 6, 8, 10SA) - for MTV 65 max. 4SA is available

Leave blank : Without SA

2LR version : \_\_\_\_\_

Both right and left ball screws are used.

Leave blank : Standard version

! Available for: **MTV65:** 16x5, 16x10  
**MTV80:** 20x5

**TECHNICAL DATA**

**General technical data**

Linear Unit	Carriage length Lv [ mm ]	Dynamic Load capacity C [ N ]	Dynamic moment			Max. permissible loads					* Max. length Lmax [ mm ]	* Max. stroke [ mm ]
			Mx [ Nm ]	My [ Nm ]	Mz [ Nm ]	Forces		Moments				
						Fpy [ N ]	Fpz [ N ]	Mpx [ Nm ]	Mpy [ Nm ]	Mpz [ Nm ]		
MTV 65	220	19800	158	700	700	6540	10190	94	350	233	2920	2690
MTV 65 2LR	220	19800	158	700	700	6540	10190	94	350	233	5789	2667

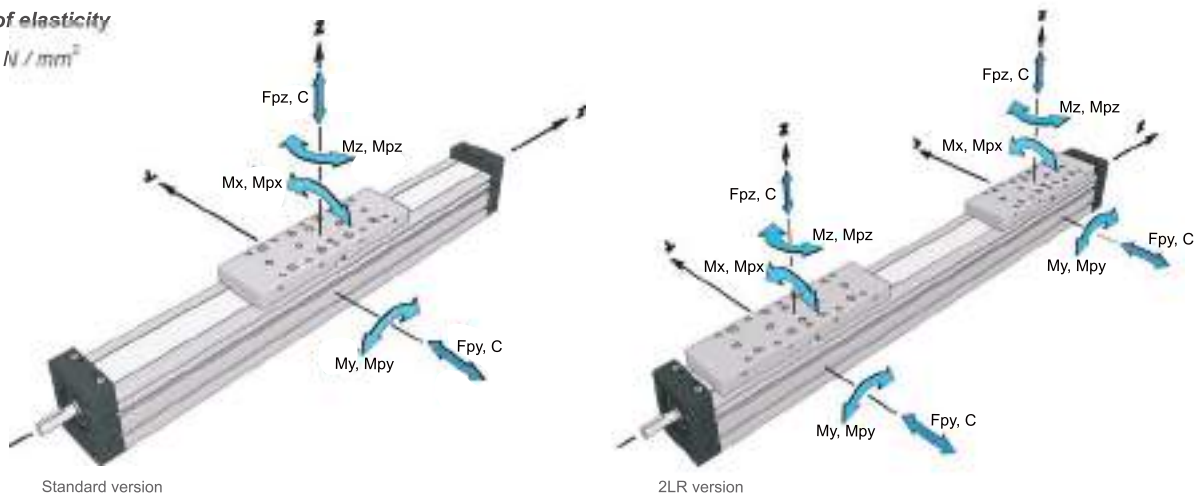
\* For lengths / stroke over the stated value in the table above please contact us.  
Values for max. stroke are not valid for screw support SA.  
For the case of the SA the equation of defining the linear unit length (for particular size of the linear unit) needs to be used.

**i Recommended values of loads:**

All the data of dynamic moments and load capacities stated in the upper table are theoretical without considering any safety factor. The safety factor depends on the application and its requested safety. We recommend a minimum safety factor (fs = 5.0)

**Modulus of elasticity**

$E = 70000 \text{ N / mm}^2$



Operating conditions	
Operating temp.	0°C ~ +60°C
Duty cycle	100%

For operating temperature out of the presented range, please contact us.

**Ball Screw Drive data**

Linear Unit	Ball screw [ d × l ]	3 Max. rotational speed (Without SA) [ rev / min ]	1 Max. travel speed (Without SA) [ m / s ]	Lead constant [ mm / rev ]	2 Max. Repeatability precision [ mm ]		Dynamic load capacity BS Ca [ N ]	5 Max. axial load Fx [ N ]	Max. drive torque Ma [ Nm ]	4 Min. stroke [ mm ]	1 Max. acceleration [ m/s <sup>2</sup> ]
					STANDARD ISO7	ISO5					
MTV 65 MTV 65 2LR	16 × 5	4200	0,35	5	± 0,02	± 0,01	13150	8700	5,5 with Keyway 7,7 without Keyway	40	20
	16 × 10										
	16 × 16										

1 Max. travel speed depends of the length of the linear unit, see diagram for particular size of the linear unit.  
For travel speed and acceleration over the stated value in the table above or diagrams please contact us.

2 For the ball nut with the preload of 2%, please contact us.

3 With SA or 2LR version the max. rotation speed is limited to 3000 rev / min.


4 For minimum stroke below the stated value in the table above please contact us.

5 In the case of 2LR version the axial load is total axial load of both carriages.

**Mass, moved mass, mass moment of inertia and no load torque**

Linear Unit	Ball screw [ d × l ]	Number of SA n <sub>SA</sub>	Mass of linear unit [ kg ]	Moved mass [ kg ]	Mass moment of inertia [ 10 <sup>-5</sup> kg * m <sup>2</sup> ]	* No load torque [ Nm ]
MTV 65	16 × 5	0	4,0 + 0,0073 * Stroke [ mm ]	1,50	1,6 + 0,0052 * Stroke [ mm ]	0,11
		2	4,5 + 0,0073 * Stroke [ mm ]	1,58	1,9 + 0,0052 * Stroke [ mm ]	0,13
		4	5,0 + 0,0073 * Stroke [ mm ]	1,66	2,2 + 0,0052 * Stroke [ mm ]	0,15
	16 × 5 2LR version	0	7,2 + 0,0146 * Stroke [ mm ]	3,00	2,9 + 0,0104 * Stroke [ mm ]	0,22
		2	8,2 + 0,0146 * Stroke [ mm ]	3,16	3,5 + 0,0104 * Stroke [ mm ]	0,26
		4	9,2 + 0,0146 * Stroke [ mm ]	3,32	4,1 + 0,0104 * Stroke [ mm ]	0,29
	16 × 10	0	4,0 + 0,0073 * Stroke [ mm ]	1,50	1,9 + 0,0052 * Stroke [ mm ]	0,12
		2	4,5 + 0,0073 * Stroke [ mm ]	1,58	2,2 + 0,0052 * Stroke [ mm ]	0,16
		4	5,0 + 0,0073 * Stroke [ mm ]	1,66	2,5 + 0,0052 * Stroke [ mm ]	0,19
	16 × 10 2LR version	0	7,2 + 0,0146 * Stroke [ mm ]	3,00	3,5 + 0,0104 * Stroke [ mm ]	0,24
		2	8,2 + 0,0146 * Stroke [ mm ]	3,16	4,1 + 0,0104 * Stroke [ mm ]	0,28
		4	9,2 + 0,0146 * Stroke [ mm ]	3,32	4,8 + 0,0104 * Stroke [ mm ]	0,31
	16 × 16	0	4,0 + 0,0073 * Stroke [ mm ]	1,50	2,5 + 0,0052 * Stroke [ mm ]	0,13
		2	4,5 + 0,0073 * Stroke [ mm ]	1,58	2,8 + 0,0052 * Stroke [ mm ]	0,19
		4	5,0 + 0,0073 * Stroke [ mm ]	1,66	3,2 + 0,0052 * Stroke [ mm ]	0,24

\* The stated values are for strokes up to 500mm.  
 No Load Torque value increases with stroke elongation.

 Mass calculation doesn't include mass of motor, reduction gear, switches and clamps.

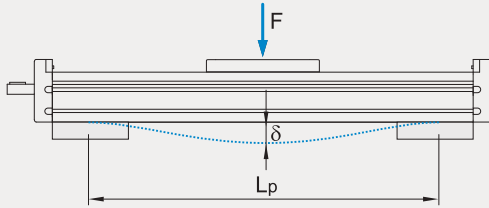
**Planar moment of inertia**

Linear Unit	Planar moment of inertia	
	I <sub>y</sub> [ cm <sup>4</sup> ]	I <sub>z</sub> [ cm <sup>4</sup> ]
MTV 65 MTV 65 2LR	71,3	89,4

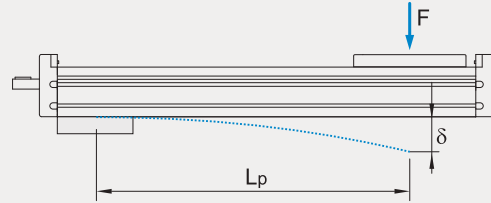
**TECHNICAL DATA**

**Deflection of the linear unit**

**Fixed - fixed mounting**



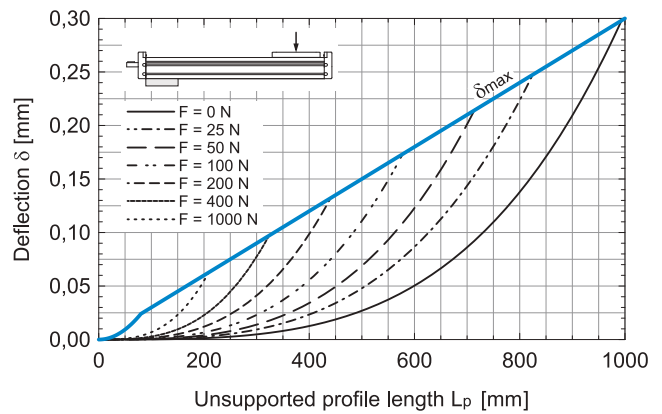
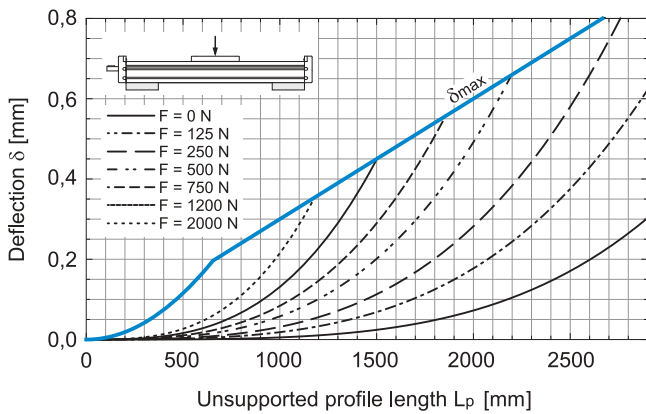
**Fixed - free mounting**



- $\delta$  Maximum deflection of the linear unit [mm]
- $\delta_{max}$  Maximum permissible deflection of the linear unit [mm]
- F Applied force [N]
- $L_p$  Unsupported profile length [mm]

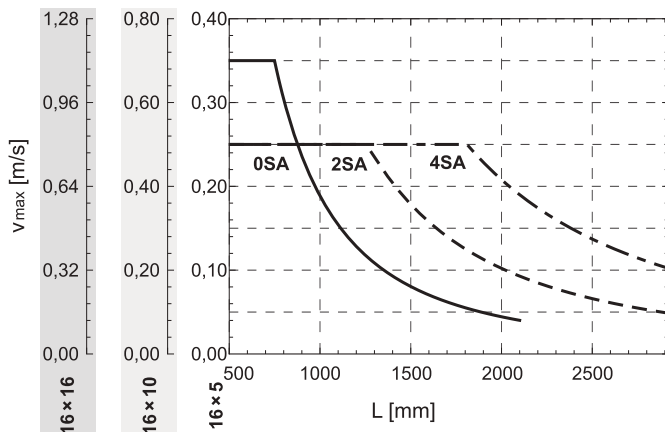
**i** The maximum permissible deflection  $\delta_{max}$  must not be exceeded. In the case that maximum deflection  $\delta$  exceeds the maximum permissible deflection  $\delta_{max}$  additional profile supports are needed.

**MTV 65**



**Maximum travel speed as a function of the profile length (Vmax - L curves)**

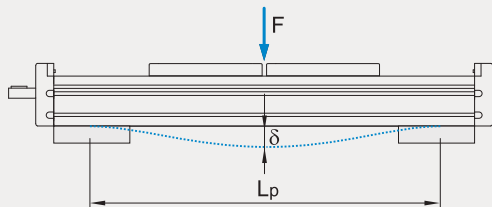
**MTV 65**





Deflection of the 2LR version

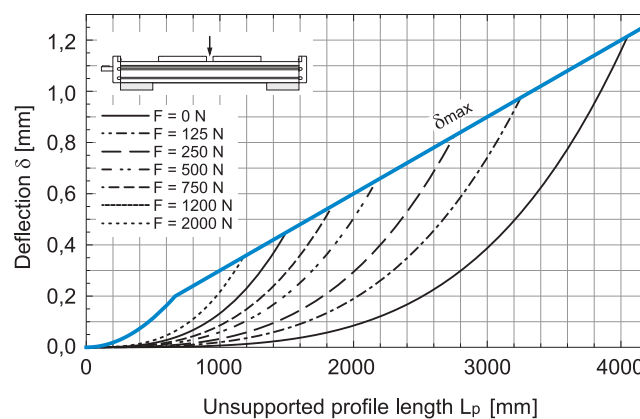
Fixed - fixed mounting



- $\delta$  Maximum deflection of the linear unit [mm]
- $\delta_{max}$  Maximum permissible deflection of the linear unit [mm]
- F Applied force [N]
- $L_p$  Unsupported profile length [mm]

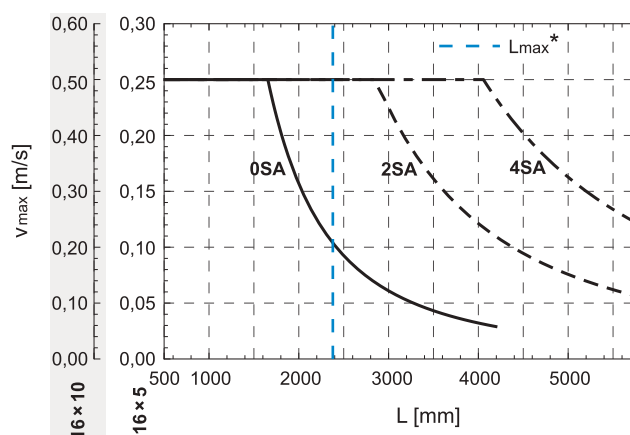
**i** The maximum permissible deflection  $\delta_{max}$  must not be exceeded. In the case that maximum deflection  $\delta$  exceeds the maximum permissible deflection  $\delta_{max}$  additional profile supports are needed.

MTV 65 2LR



Maximum travel speed as a function of the profile length (Vmax - L curves)

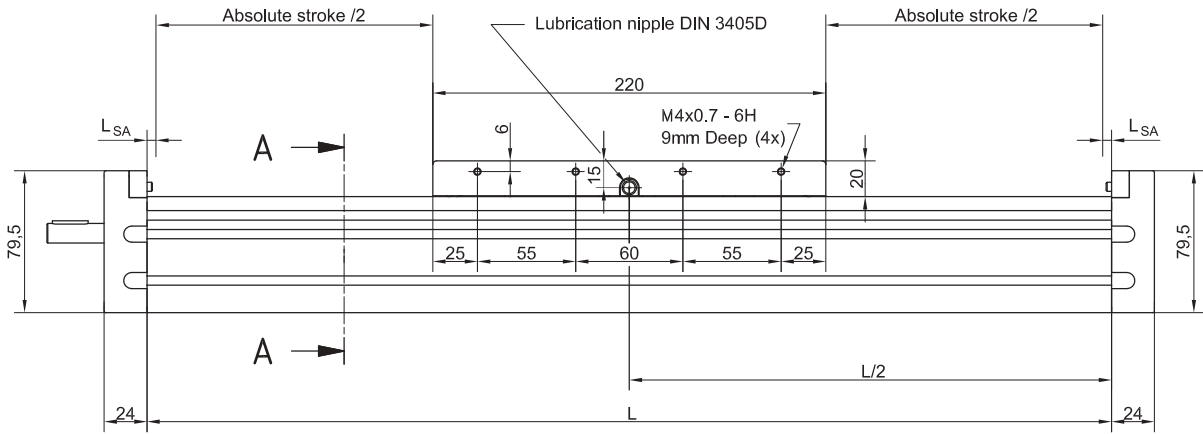
MTV 65 2LR



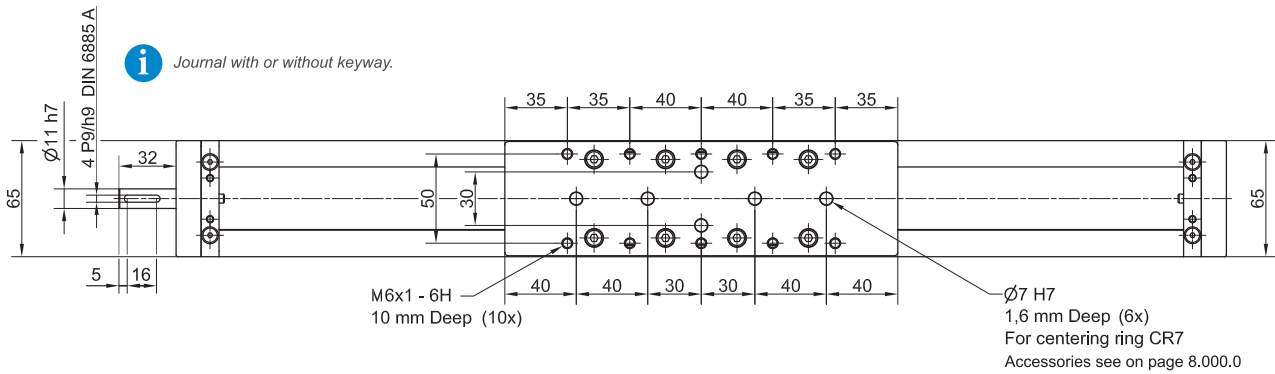
\* Max. length  $L_{max}$  of MTV 65 2LR linear unit with 16x10 ball screw.

**DIMENSIONS**

**i** Linear Unit doesn't include any safety  
Absolute stroke = Effective stroke + 2 x Safety stroke stroke.



**i** Journal with or without keyway.

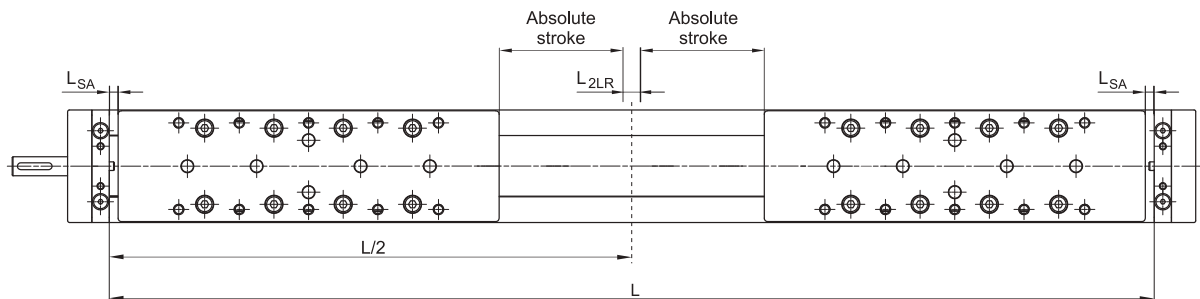


n	L <sub>SA</sub>
0	5,0
2SA	31,0
4SA	62,0

L<sub>SA</sub> Additional length [ mm ]

**i** All dimensions in mm:  
Drawings scales are not equal.

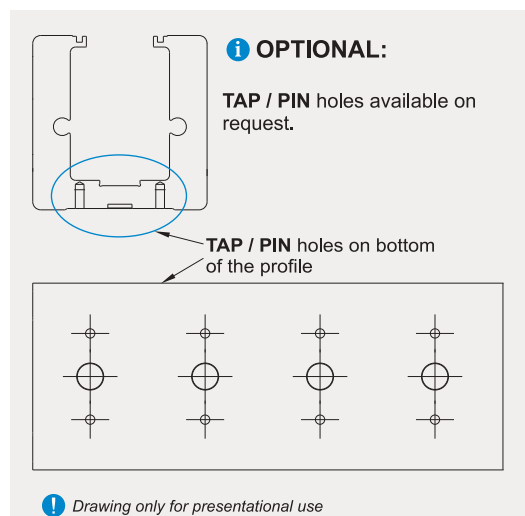
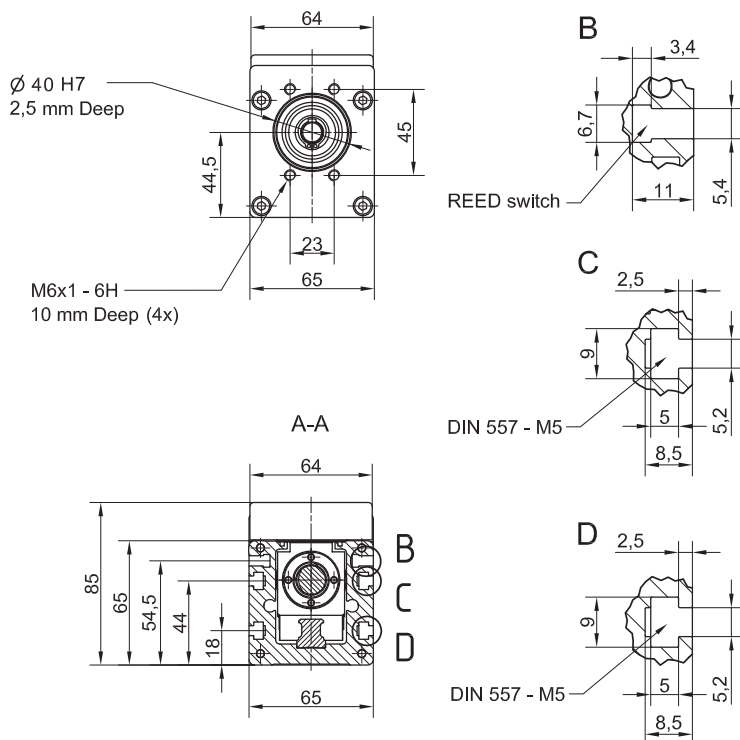
**2LR version**



n	L <sub>SA</sub>	L <sub>2LR</sub>
0	5,0	5,0
2SA	31,0	67,0
4SA	62,0	129,0

L<sub>SA</sub> Additional length [ mm ]

L<sub>2LR</sub> Min. distance between carriages [ mm ]



**i** All dimensions in mm.  
Drawings scales are not equal.

### Mounting the drive

- by the **MOTOR SIDE DRIVE - MSD** (Page 7.095.0)
- by the **MOTOR ADAPTER WITH COUPLING** (Page 8.020.0)

**i** Available on request.

### Defining of the linear unit length

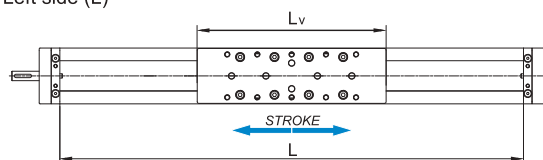
#### **i** Standard version

$L = \text{Effective stroke} + 2 \times \text{Safety stroke} + L_v + 2 \times L_{sa}$

$L_{total} = L + 48 \text{ mm}$

$L_v = 220 \text{ mm}$

Left side (L)



Right side (R)

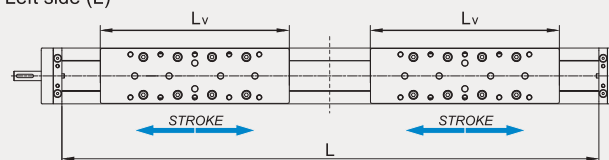
#### **i** Version 2LR

$L = 2 \times (\text{Effective stroke} + 2 \times \text{Safety stroke}) + 2 \times L_v + 2 \times L_{sa} + L_{2LR}$

$L_{total} = L + 48 \text{ mm}$

$L_v = 220 \text{ mm}$

Left side (L)



Right side (R)

**TECHNICAL DATA**

**General technical data**

Linear Unit	Carriage length Lv [ mm ]	Dynamic Load capacity C [ N ]	Dynamic moment			Max. permissible loads					* Max. length Lmax [ mm ]	* Max. stroke [ mm ]
			Mx [ Nm ]	My [ Nm ]	Mz [ Nm ]	Forces		Moments				
						Fpy [ N ]	Fpz [ N ]	Mpx [ Nm ]	Mpy [ Nm ]	Mpz [ Nm ]		
MTV 80	290	34200	370	1470	1470	8930	15070	150	500	384	5480	5163
MTV 80 2LR	290	34200	370	1470	1470	8930	15070	150	500	384	11055	5224

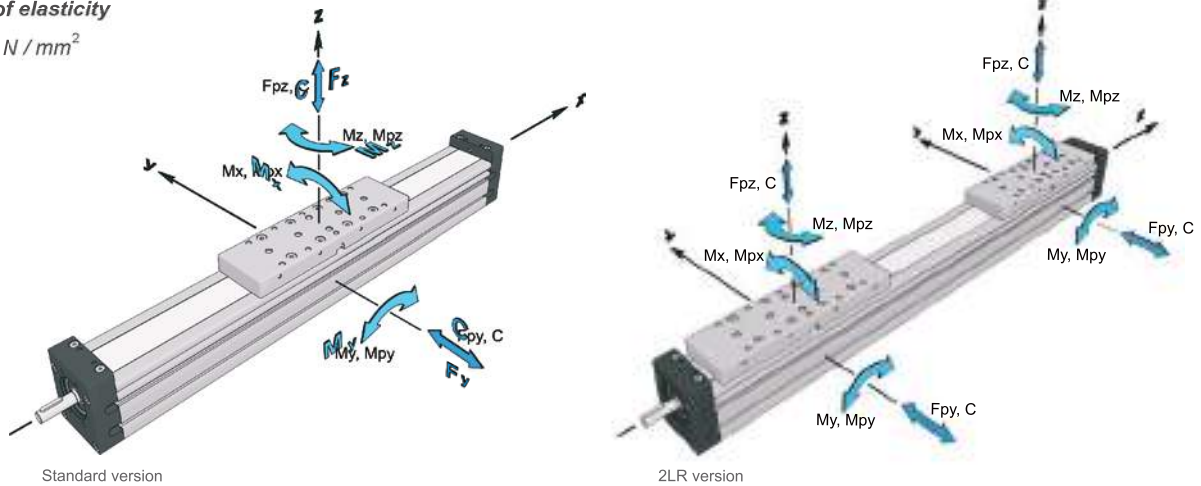
\* For lengths / stroke over the stated value in the table above please contact us.  
Values for max. stroke are not valid for screw support SA.  
For the case of the SA the equation of defining the linear unit length (for particular size of the linear unit) needs to be used.

**i Recommended values of loads:**

All the data of dynamic moments and load capacities stated in the upper table are theoretical without considering any safety factor. The safety factor depends on the application and its requested safety. We recommend a minimum safety factor (fs = 5.0)

**Modulus of elasticity**

$E = 70000 \text{ N / mm}^2$



Operating conditions	
Operating temp.	0°C ~ +60°C
Duty cycle	100%

For operating temperature out of the presented range, please contact us.

**Ball Screw Drive data**

Linear Unit	Ball screw [ d × l ]	3 Max. rotational speed (Without SA) [ rev / min ]	1 Max. travel speed (Without SA) [ m / s ]	Lead constant [ mm / rev ]	2 Max. Repeatability precision [ mm ]		Dynamic load capacity BS Ca [ N ]	5 Max. axial load Fx [ N ]	Max. drive torque Ma [ Nm ]	4 Min. stroke [ mm ]	1 Max. acceleration [ m/s <sup>2</sup> ]
					STANDARD ISO7	ISO5					
MTV 80 MTV 80 2LR	20 × 5	3300	0,28	5	± 0,02	± 0,01	14800	14800	11,9 with Keyway 13,0 without Keyway	55	20
	20 × 10										
	20 × 20										
	20 × 50	3000	2,50	50	± 0,02	± 0,01	13000	2770	11,9 with Keyway 24,5 without Keyway		

<sup>1</sup> Max. travel speed depends of the length of the linear unit, see diagram for particular size of the linear unit.  
For travel speed and acceleration over the stated value in the table above or diagrams please contact us.

<sup>2</sup> For the ball nut with the preload of 2%, please contact us.

<sup>3</sup> With SA or 2LR version the max. rotation speed is limited to 3000 rev / min.

<sup>4</sup> For minimum stroke below the stated value in the table above please contact us.

<sup>5</sup> In the case of 2RL version the axial load is total axial load of both carriages.

**TECHNICAL DATA**
**Mass, moved mass, mass moment of inertia and no load torque**

Linear Unit	Ball screw [ d × l ]	Number of SA n <sub>SA</sub>	Mass of linear unit [ kg ]	Moved mass [ kg ]	Mass moment of inertia [ 10 <sup>-5</sup> kg * m <sup>2</sup> ]	* No load torque [ Nm ]
MTV 80	20 × 5	0	8,2 + 0,0114 * Stroke [ mm ]	3,00	5,6 + 0,0127 * Stroke [ mm ]	0,16
		2	8,9 + 0,0114 * Stroke [ mm ]	3,07	6,2 + 0,0127 * Stroke [ mm ]	0,19
		4 / 6 / 8 / 10	9,7 + 0,4 * (n <sub>SA</sub> - 4) + 0,0114 * Stroke [ mm ]	3,21 + 0,035 * (n <sub>SA</sub> - 4)	7,0 + 0,4 * (n <sub>SA</sub> - 4) + 0,0127 * Stroke [ mm ]	0,24 + 0,015 * (n <sub>SA</sub> - 4)
	20 × 5 2LR Version	0	14,6 + 0,0228 * Stroke [ mm ]	6,00	9,5 + 0,0254 * Stroke [ mm ]	0,32
		2	15,9 + 0,0228 * Stroke [ mm ]	6,14	10,7 + 0,0254 * Stroke [ mm ]	0,37
		4 / 6 / 8 / 10	17,6 + 0,8 * (n <sub>SA</sub> - 4) + 0,0228 * Stroke [ mm ]	6,42 + 0,07 * (n <sub>SA</sub> - 4)	12,3 + 0,8 * (n <sub>SA</sub> - 4) + 0,0254 * Stroke [ mm ]	0,48 + 0,03 * (n <sub>SA</sub> - 4)
	20 × 10	0	8,2 + 0,0114 * Stroke [ mm ]	3,00	6,2 + 0,0127 * Stroke [ mm ]	0,17
		2	8,9 + 0,0114 * Stroke [ mm ]	3,07	6,8 + 0,0127 * Stroke [ mm ]	0,22
		4 / 6 / 8 / 10	9,7 + 0,4 * (n <sub>SA</sub> - 4) + 0,0114 * Stroke [ mm ]	3,21 + 0,035 * (n <sub>SA</sub> - 4)	7,6 + 0,4 * (n <sub>SA</sub> - 4) + 0,0127 * Stroke [ mm ]	0,33 + 0,025 * (n <sub>SA</sub> - 4)
	20 × 20	0	8,2 + 0,0114 * Stroke [ mm ]	3,00	8,5 + 0,0127 * Stroke [ mm ]	0,18
		2	8,9 + 0,0114 * Stroke [ mm ]	3,07	9,1 + 0,0127 * Stroke [ mm ]	0,29
		4 / 6 / 8 / 10	9,7 + 0,4 * (n <sub>SA</sub> - 4) + 0,0114 * Stroke [ mm ]	3,21 + 0,035 * (n <sub>SA</sub> - 4)	10,1 + 0,5 * (n <sub>SA</sub> - 4) + 0,0127 * Stroke [ mm ]	0,50 + 0,055 * (n <sub>SA</sub> - 4)
	20 × 50	0	8,2 + 0,0114 * Stroke [ mm ]	3,00	24,4 + 0,0127 * Stroke [ mm ]	0,58
		2	8,9 + 0,0114 * Stroke [ mm ]	3,07	25,5 + 0,0127 * Stroke [ mm ]	0,85
		4 / 6 / 8 / 10	9,7 + 0,4 * (n <sub>SA</sub> - 4) + 0,0114 * Stroke [ mm ]	3,21 + 0,035 * (n <sub>SA</sub> - 4)	27,1 + 0,6 * (n <sub>SA</sub> - 4) + 0,0127 * Stroke [ mm ]	1,38 + 0,0135 * (n <sub>SA</sub> - 4)

\* The stated values are for strokes up to 500mm.  
 No Load Torque value increases with stroke elongation.

**i** Mass calculation doesn't include mass of motor, reduction gear, switches and clamps.

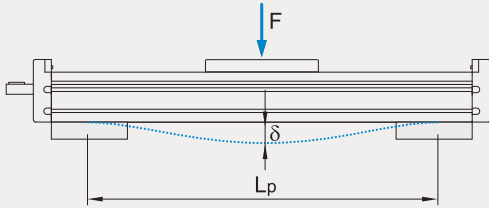
**Planar moment of inertia**

Linear Unit	Planar moment of inertia	
	I <sub>y</sub> [ cm <sup>4</sup> ]	I <sub>z</sub> [ cm <sup>4</sup> ]
MTV 80 MTV 80 2LR	144,1	192,3

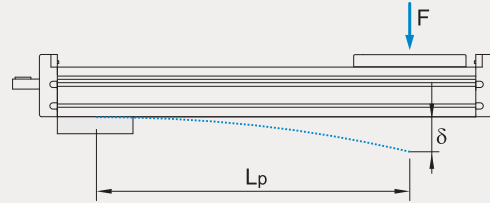
**TECHNICAL DATA**

**Deflection of the linear unit**

**Fixed - fixed mounting**



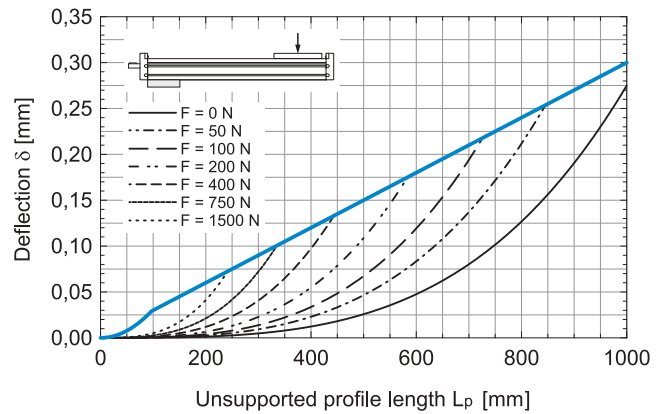
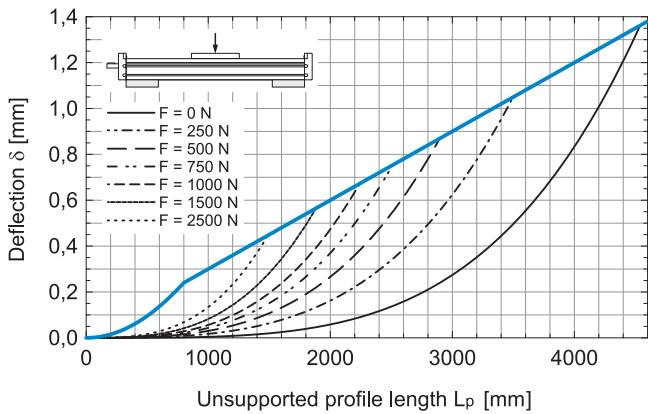
**Fixed - free mounting**



- $\delta$  Maximum deflection of the linear unit [mm]
- $\delta_{max}$  Maximum permissible deflection of the linear unit [mm]
- F Applied force [N]
- $L_p$  Unsupported profile length [mm]

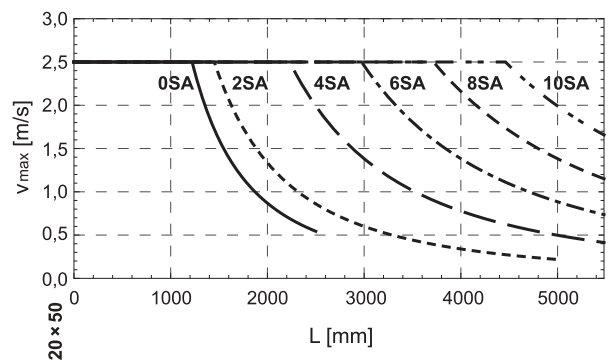
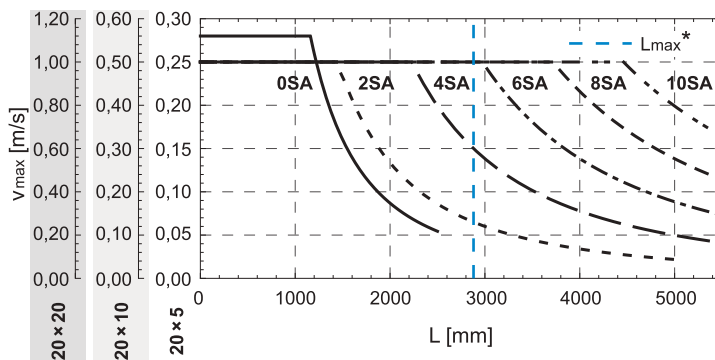
**i** The maximum permissible deflection  $\delta_{max}$  must not be exceeded. In the case that maximum deflection  $\delta$  exceeds the maximum permissible deflection  $\delta_{max}$  additional profile supports are needed.

**MTV 80**



**Maximum travel speed as a function of the profile length (Vmax - L curves)**

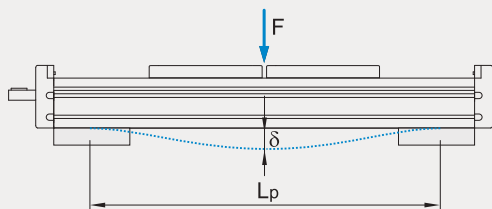
**MTV 80**



\* Max. length  $L_{max}$  of MTV 80 linear unit with 20x10 ball screw.

Deflection of the 2LR version

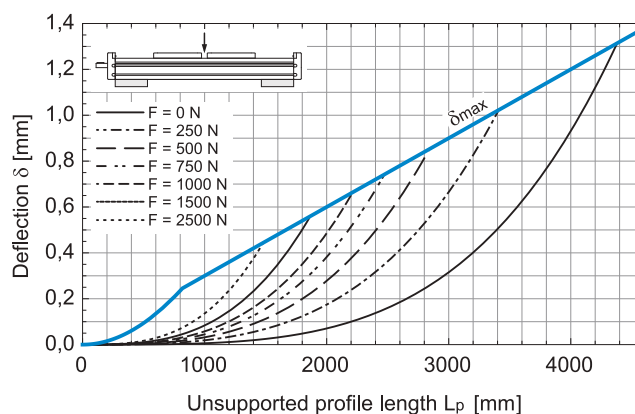
Fixed - fixed mounting



- $\delta$  Maximum deflection of the linear unit [mm]
- $\delta_{max}$  Maximum permissible deflection of the linear unit [mm]
- F Applied force [N]
- $L_p$  Unsupported profile length [mm]

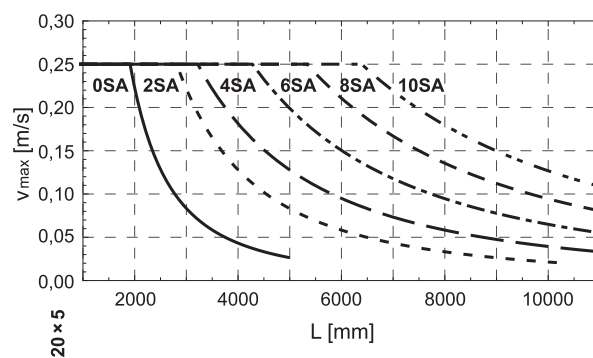
**i** The maximum permissible deflection  $\delta_{max}$  must not be exceeded. In the case that maximum deflection  $\delta$  exceeds the maximum permissible deflection  $\delta_{max}$  additional profile supports are needed.

MTV 80 2LR



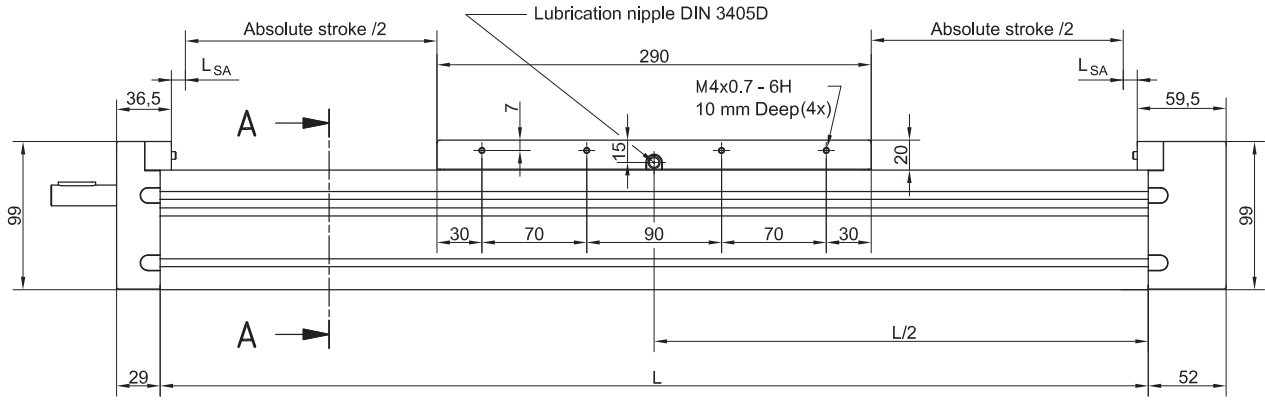
Maximum travel speed as a function of the profile length (Vmax - L curves)

MTV 80 2LR

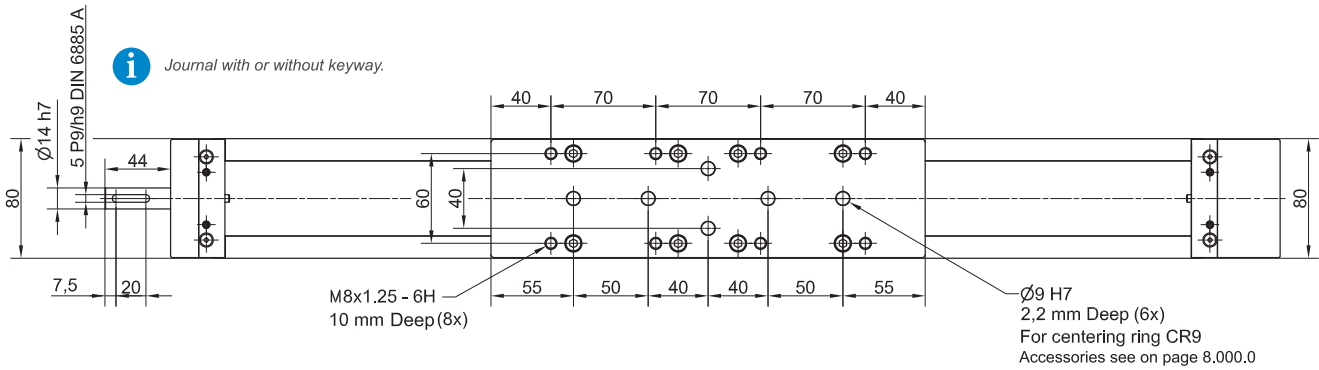


**DIMENSIONS**

**i** Linear Unit doesn't include any safety  
Absolute stroke = Effective stroke + 2 x Safety stroke stroke.



**i** Journal with or without keyway.

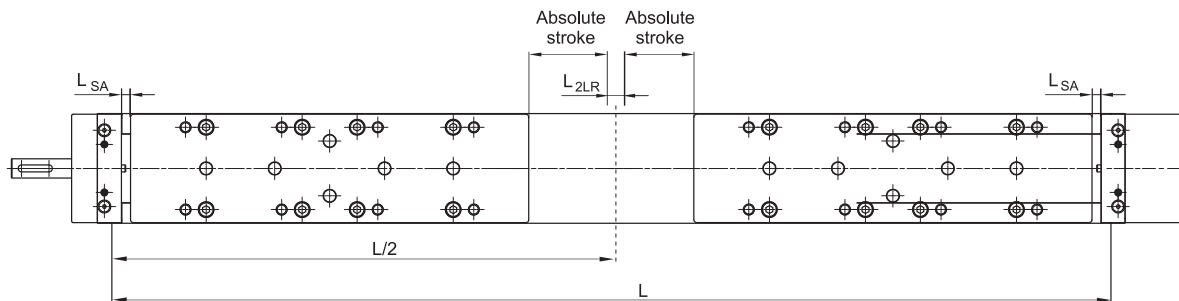


$n_{SA}$	$L_{SA}$
0	6,0
2SA	28,5
4SA	59,5
6SA	90,5
8SA	121,5
10SA	152,5

**i** All dimensions in mm;  
Drawings scales are not equal.

$L_{SA}$  Additional length [ mm ]

**2LR Version**

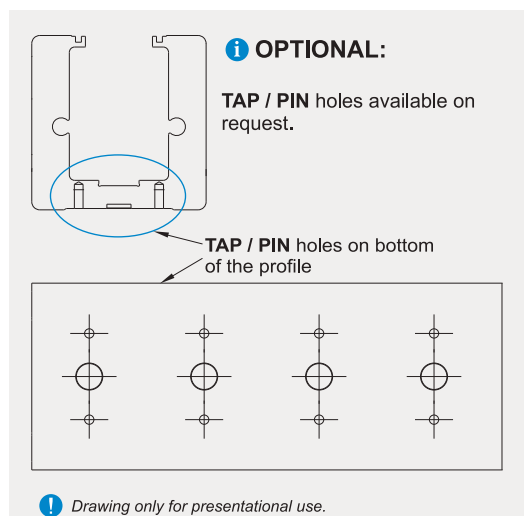
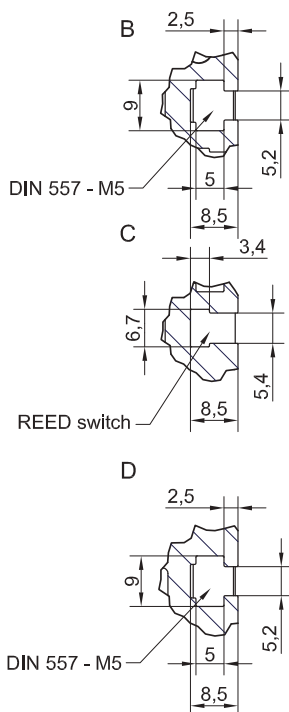
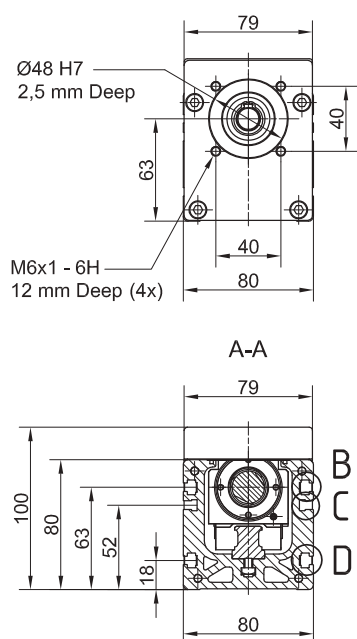


$n_{SA}$	$L_{SA}$	$L_{2LR}$
0	6,0	0,0
2SA	28,5	48,0
4SA	59,5	110,0
6SA	90,5	172,0
8SA	121,5	234,0
10SA	152,5	296,0

$L_{SA}$  Additional length [ mm ]

$L_{2LR}$  Min. distance between carriages [ mm ]





**i** All dimensions in mm.  
Drawings scales are not equal.



### Mounting the drive

- by the **MOTOR SIDE DRIVE - MSD** (Page 7.095.0)
- by the **MOTOR ADAPTER WITH COUPLING** (Page 8.020.0)

**i** Available on request.

### Defining of the linear unit length

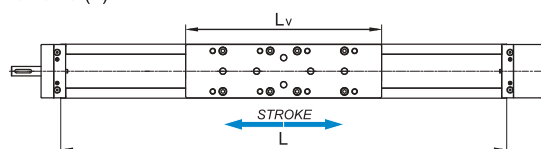
#### **i** Standard version

$L = \text{Effective stroke} + 2 \times \text{Safety stroke} + L_v + 2 \times L_{SA} + 15 \text{ mm}$

$L_{\text{total}} = L + 81 \text{ mm}$

$L_v = 290 \text{ mm}$

Left side (L)



Right side (R)

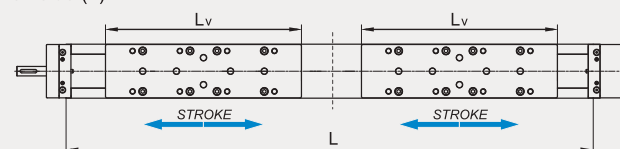
#### **i** 2LR version

$L = 2 \times (\text{Effective stroke} + 2 \times \text{Safety stroke}) + 2 \times L_v + 2 \times L_{SA} + L_{2LR} + 15 \text{ mm}$

$L_{\text{total}} = L + 81 \text{ mm}$

$L_v = 290 \text{ mm}$

Left side (L)



Right side (R)

**TECHNICAL DATA**

**General technical data**

Linear Unit	Carriage length Lv [ mm ]	Dynamic Load capacity C [ N ]	Dynamic moment			Max. permissible loads					* Max. length Lmax [ mm ]	* Max. stroke [ mm ]
			Mx [ Nm ]	My [ Nm ]	Mz [ Nm ]	Forces		Moments				
MTV 110	330	49600	630	2650	2650	Fpy [ N ]	Fpz [ N ]	Mpx [ Nm ]	Mpy [ Nm ]	Mpz [ Nm ]	5850	5456

\* For lengths / stroke over the stated value in the table above please contact us.  
 Values for max. stroke are not valid for screw support SA.  
 For the case of the SA the equation of defining the linear unit length (for particular size of the linear unit) needs to be used.

Operating conditions	
Operating temp.	0°C ~ +60°C
Duty cycle	100%

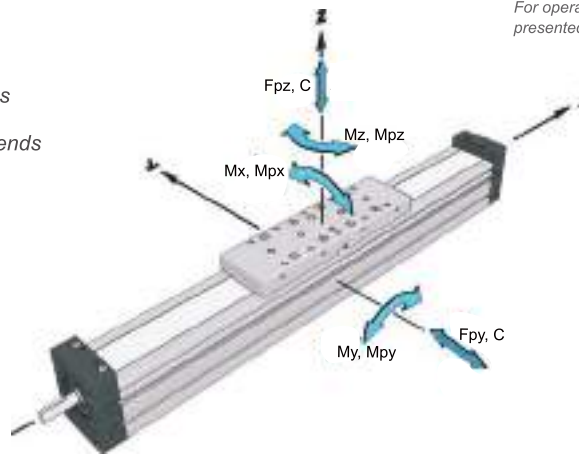
For operating temperature out of the presented range, please contact us.

**i Recommended values of loads:**

All the data of dynamic moments and load capacities stated in the upper table are theoretical without considering any safety factor. The safety factor depends on the application and its requested safety. We recommend a minimum safety factor (fs =5.0)

**Modulus of elasticity**

$E = 70000 \text{ N / mm}^2$



**Ball Screw Drive data**

Linear Unit	Ball screw [ d × l ]	3 Max. rotational speed (Without SA) [ rev / min ]	1 Max. travel speed (Without SA) [ m / s ]	Lead constant [ mm / rev ]	2 Max. Repeatability precision [ mm ]		Dynamic load capacity BS Ca [ N ]	5 Max. axial load Fx [ N ]	Max. drive torque Ma [ Nm ]	4 Min. stroke [ mm ]	1 Max. acceleration [ m/s <sup>2</sup> ]
					STANDARD ISO7	ISO5					
MTV 110	32 × 5	2150	0,18	5	± 0,02	± 0,01	18850	18850	16,7 with Keyway 16,7 without Keyway	65	20
	32 × 10										
	32 × 20	3000	1,00	20	± 0,02	± 0,01	29700	14800	27,3 with Keyway 52,3 without Keyway		
	32 × 32										

1 Max. travel speed depends of the length of the linear unit, see diagram for particular size of the linear unit.  
 For travel speed and acceleration over the stated value in the table above or diagrams please contact us.  
 2 For the ball nut with the preload of 2%, please contact us.  
 3 With SA or 2LR version the max. rotation speed is limited to 3000 rev / min.  
 4 For minimum stroke below the stated value in the table above please contact us.  
 5 In the case of 2RL version the axial load is total axial load of both carriages.

**Planar moment of inertia**

Linear Unit	Planar moment of inertia	
	Iy [ cm <sup>4</sup> ]	Iz [ cm <sup>4</sup> ]
MTV 110	562,0	669,0

Mass, moved mass, mass moment of inertia and no load torque

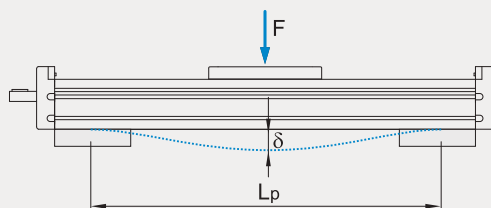
Linear Unit	Ball screw [ d × l ]	Number of SA n <sub>SA</sub>	Mass of linear unit [ kg ]	Moved mass [ kg ]	Mass moment of inertia [ 10 <sup>-5</sup> kg · m <sup>2</sup> ]	* No load torque [ Nm ]
MTV 110	32 × 5	0	17,3 + 0,0216 * Stroke [ mm ]	4,90	34,6 + 0,0690 * Stroke [ mm ]	0,45
		2	17,7 + 0,0216 * Stroke [ mm ]	5,03	35,1 + 0,0690 * Stroke [ mm ]	0,52
		4 / 6 / 8 / 10	19,3 + 0,8 * (n <sub>SA</sub> -4) + 0,0216 * Stroke [ mm ]	5,29 + 0,065 * (n <sub>SA</sub> - 4)	39,4 + 2,2 * (n <sub>SA</sub> -4) + 0,0690 * Stroke [ mm ]	0,66 + 0,035 * (n <sub>SA</sub> -4)
	32 × 10	0	17,3 + 0,0216 * Stroke [ mm ]	4,90	35,5 + 0,0690 * Stroke [ mm ]	0,50
		2	17,7 + 0,0216 * Stroke [ mm ]	5,03	36,1 + 0,0690 * Stroke [ mm ]	0,64
		4 / 6 / 8 / 10	19,3 + 0,8 * (n <sub>SA</sub> -4) + 0,0216 * Stroke [ mm ]	5,29 + 0,065 * (n <sub>SA</sub> - 4)	40,4 + 2,2 * (n <sub>SA</sub> -4) + 0,0690 * Stroke [ mm ]	0,92 + 0,070 * (n <sub>SA</sub> -4)
	32 × 20	0	17,3 + 0,0216 * Stroke [ mm ]	4,90	39,3 + 0,0690 * Stroke [ mm ]	0,55
		2	17,7 + 0,0216 * Stroke [ mm ]	5,03	39,9 + 0,0690 * Stroke [ mm ]	0,83
		4 / 6 / 8 / 10	19,3 + 0,8 * (n <sub>SA</sub> -4) + 0,0216 * Stroke [ mm ]	5,29 + 0,065 * (n <sub>SA</sub> - 4)	44,4 + 2,2 * (n <sub>SA</sub> -4) + 0,0690 * Stroke [ mm ]	1,40 + 0,140 * (n <sub>SA</sub> -4)
	32 × 32	0	17,3 + 0,0216 * Hub [ mm ]	4,90	47,0 + 0,0690 * Stroke [ mm ]	0,60
		2	17,7 + 0,0216 * Hub [ mm ]	5,03	47,8 + 0,0690 * Stroke [ mm ]	1,05
		4 / 6 / 8 / 10	19,3 + 0,8 * (n <sub>SA</sub> -4) + 0,0216 * Stroke [ mm ]	5,29 + 0,065 * (n <sub>SA</sub> - 4)	52,8 + 2,3 * (n <sub>SA</sub> -4) + 0,0690 * Stroke [ mm ]	1,96 + 0,225 * (n <sub>SA</sub> -4)

\* The stated values are for strokes up to 500mm.  
No Load Torque value increases with stroke elongation.

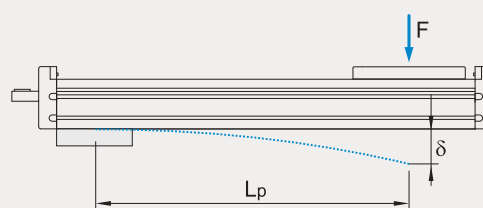
**i** Mass calculation doesn't include mass of motor, reduction gear, switches and clamps.

Deflection of the linear unit

Fixed - fixed mounting



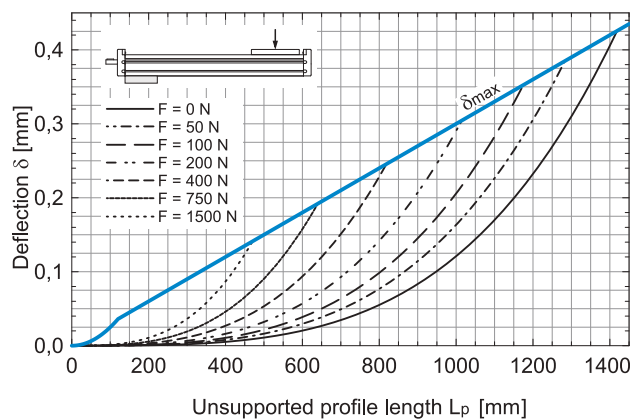
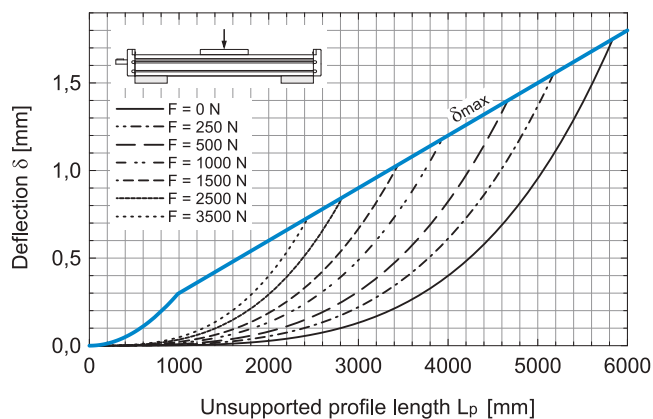
Fixed - free mounting



- δ Maximum deflection of the linear unit [mm]
- δ<sub>max</sub> Maximum permissible deflection of the linear unit [mm]
- F Applied force [N]
- L<sub>p</sub> Unsupported profile length [mm]

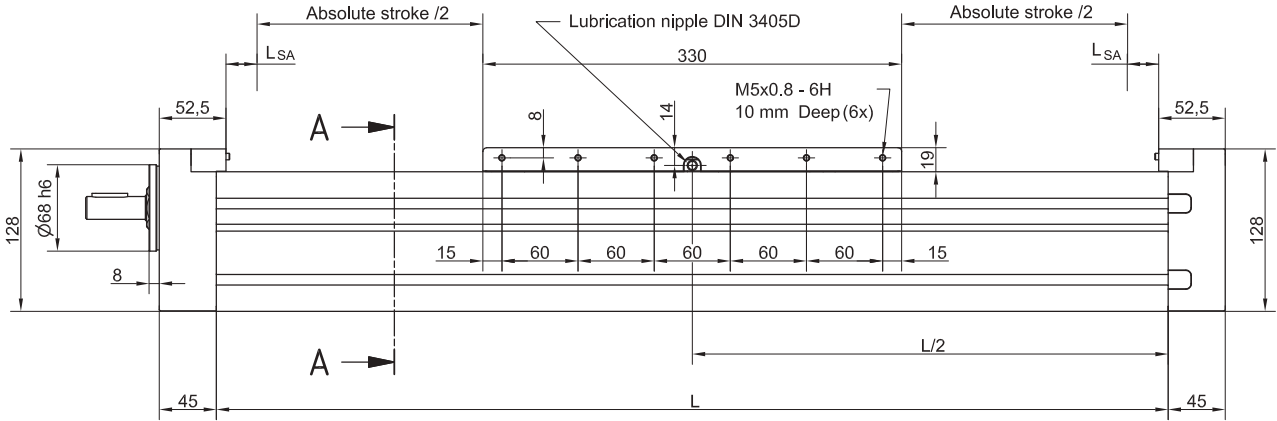
**i** The maximum permissible deflection δ<sub>max</sub> must not be exceeded. In the case that maximum deflection δ exceeds the maximum permissible deflection δ<sub>max</sub> additional profile supports are needed.

MTV 110

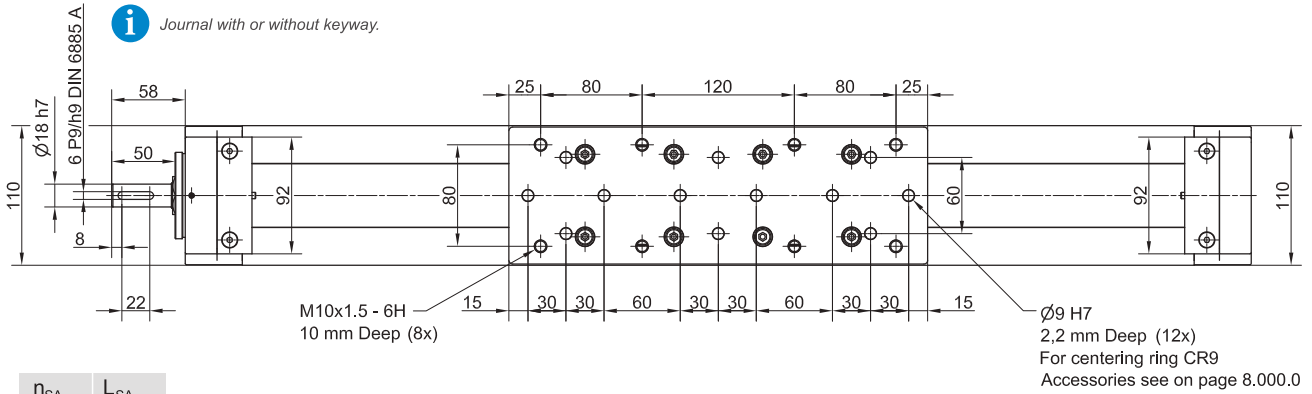


**DIMENSIONS**

**i** Linear Unit doesn't include any safety  
Absolute stroke = Effective stroke + 2 x Safety stroke stroke.



**i** Journal with or without keyway.



n <sub>SA</sub>	L <sub>SA</sub>
0	24,5
2SA	28,0
4SA	59,0
6SA	90,0
8SA	121,0
10SA	152,0

**i** All dimensions in mm;  
Drawings scales are not equal.

**L<sub>SA</sub> Additional length [ mm ]**

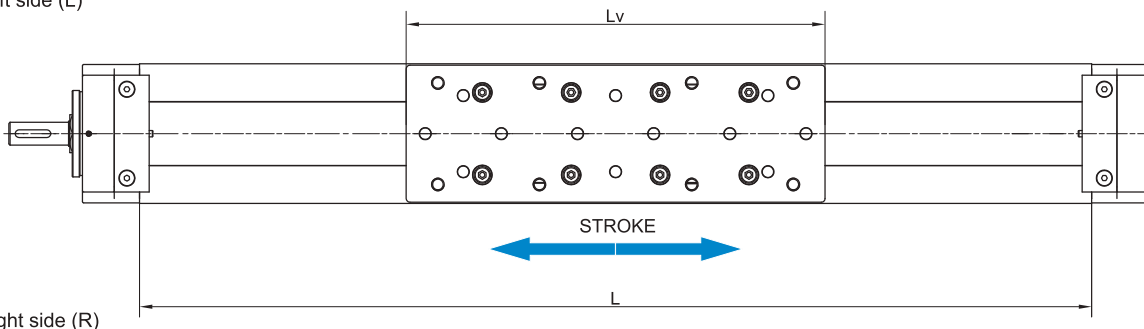
**Defining of the linear unit length**

**L = Effective stroke + 2 × Safety stroke + Lv + 2 × L<sub>SA</sub> + 15 mm**

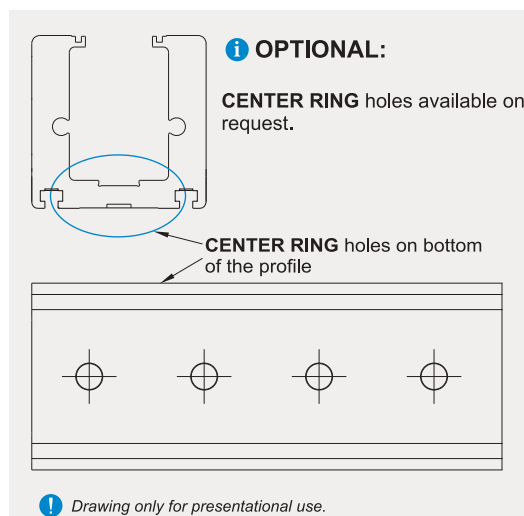
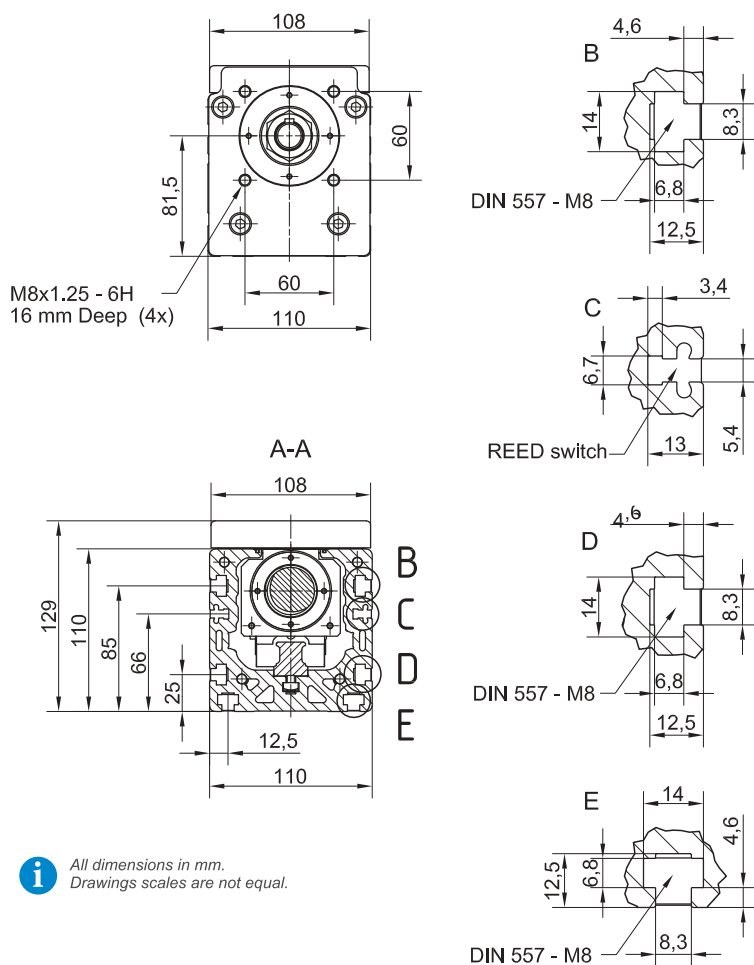
**L<sub>v</sub> = 330 mm**

**L<sub>total</sub> = L + 90 mm**

Left side (L)



Right side (R)



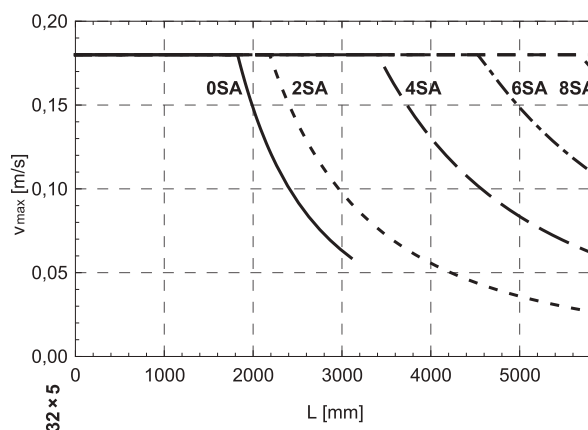
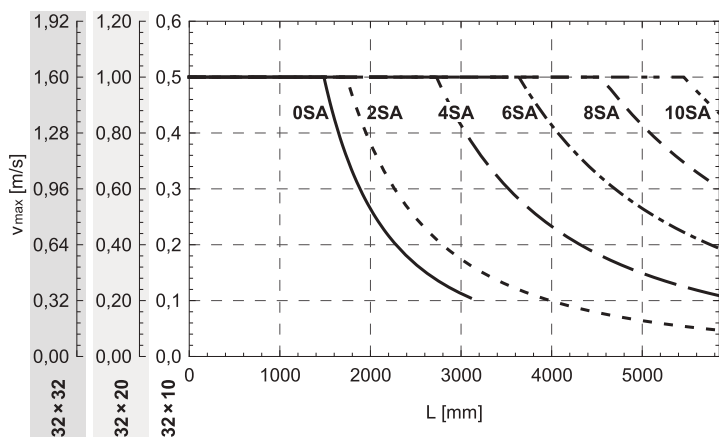
**i** All dimensions in mm.  
Drawings scales are not equal.

### Mounting the drive

- by the **MOTOR SIDE DRIVE - MSD** (Page 7.095.0)
- by the **MOTOR ADAPTER WITH COUPLING** (Page 8.020.0)

**i** Available on request.

### Maximum travel speed as a function of the profile length ( $V_{max}$ - L curves)





The **MTJ ECO** series Linear Unit is a powerful and cost-effective Linear Unit with toothed belt drive and a Zero-backlash Ball rail guide system for easy and accurate linear movements.

It can easily be combined to multi-axis systems.

Excellent price-/performance ratio and quick delivery time are ensured.

An extruded aluminum Profile from 6063 AL with on it mounted Zero-backlash Ball rail guide system, allows high load capacities and optimal cycles for the movement of larger masses at high speed.

The linear unit MTJ ECO uses a pre-tensioned steel reinforced AT polyurethane timing toothed belt. In conjunction with a Zero-backlash drive pulley high moments with alternating loads with good positioning accuracy, low wear and low noise can be realized.

The aluminum Profile includes T-slots for fixing the Linear Unit and for attaching sensors and switches . Different carriage lengths of the Linear Unit allow the possibility to attach additional accessories on the side.

Lubrication holes on the carriage allow easy re-lubrication of the Ball rail guide .

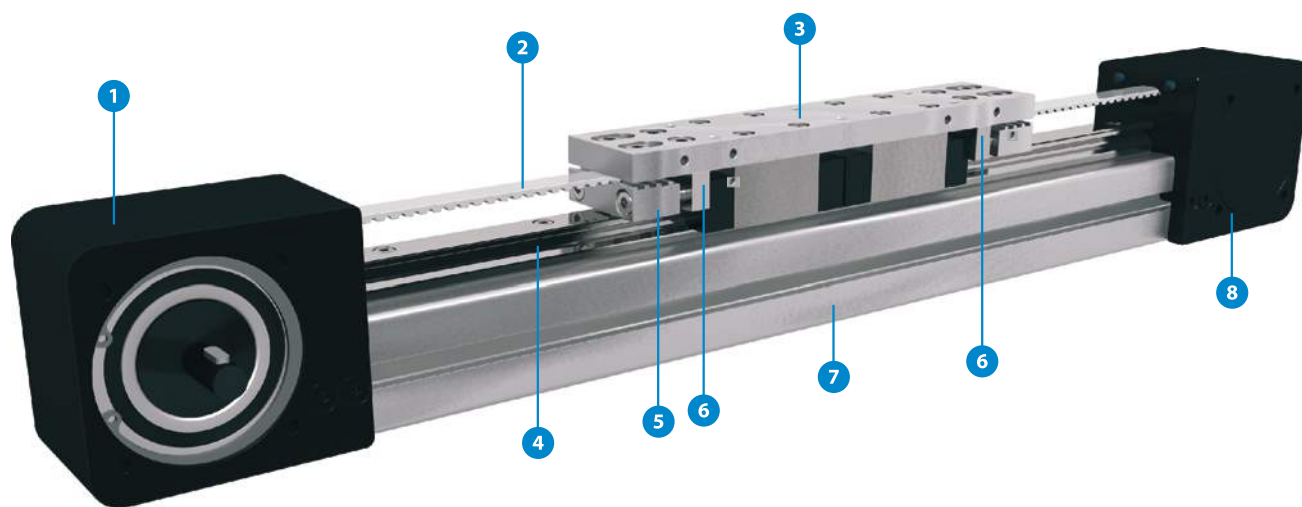
For the linear unit MTJ ECO various adaptation options, for attaching (or redirecting), for Motors or Gearboxes are available.



**i** The aluminium profiles are manufactured according to the medium EN 12020-2 standard

Straightness = 0,35 mm/m; Max. torsion = 0,35 mm/m; Angular torsion = 0,2 mm/40 mm; Parallelism = 0,2 mm

STRUCTURAL DESIGN



- 1 - Drive block with pulley
- 2 - AT polyurethane toothed belt with steel tension cords
- 3 - Carriage
- 4 - Linear Ball Guideway
- 5 - Belt Tensioning system
- 6 - Lubrication port
- 7 - Aluminium profile-Hard anodized
- 8 - End block



**MTJ** - **40** - **ECO** - **1000** - **L** - **1** - **R**

**Series :** \_\_\_\_\_

**MTJ**

**Size :** \_\_\_\_\_

**40**

**Type :** \_\_\_\_\_

**ECO**

**Absolute stroke (mm) :** \_\_\_\_\_

(Absolute stroke = Effective stroke + 2 x Safety stroke)

**Carriage Version :** \_\_\_\_\_

**S** : Short

**L** : Long

**Type of drive pulley :** \_\_\_\_\_

**0** : Pulley with through hole

**1** : Pulley with journal

**10** : Pulley with journal (without Keyway)

**2** : Pulley with journal on both sides

**20** : Pulley with journal on both sides (without Keyway)

**3** : Without drive unit

**Drive journal position :** \_\_\_\_\_

**L** : Journal on left side

**R** : Journal on right side

**Leave blank** : For type of drive pulley 0, 2, 20 and 3

**TECHNICAL DATA**

**General technical data**

Linear Unit	Carriage length Lv [ mm ]	Dynamic load capacity C [ N ]	Dynamic moment			Max. permissible loads					Moved mass [ kg ]	Max. Repeatability [ mm ]	* Max. length Lmax [ mm ]	* Max. stroke [ mm ]	** Min. stroke [ mm ]	
			Mx [ Nm ]	My [ Nm ]	Mz [ Nm ]	Forces		Moments								
						Fpy [ N ]	Fpz [ N ]	Mpx [ Nm ]	Mpy [ Nm ]	Mpz [ Nm ]						
MTJ 40 ECO S	132	9900	79	59	59	3270	5100	34	34	34	0,45	± 0,1	5960	5813	40	
MTJ 40 ECO L	200	19800	158	660	660	6540	10190	60	341	219	0,72	± 0,1				5745

\*For lengths / stroke over the stated value in the table above please contact us. Values for max. stroke are not valid for double carriage (equation of defining the linear unit length for particular size of the linear unit needs to be used).

\*\*For minimum stroke below the stated value in the table above please contact us.

Operating conditions	
Operating temp.	0°C ~ +60°C
Duty cycle	100%

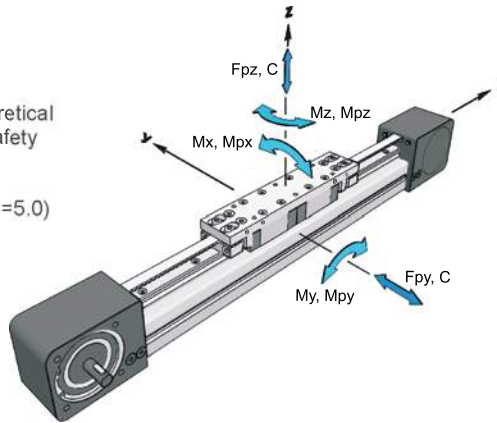
For operating temperature out of the presented range, please contact us.

**i Recommended values of loads**

All the data of dynamic moments and load capacities stated in the upper table are theoretical without considering any safety factor. The safety factor depends on the application and its requested safety. We recommend a minimum safety factor (fs =5.0)

**Modulus of elasticity**

E = 70000 N / mm<sup>2</sup>

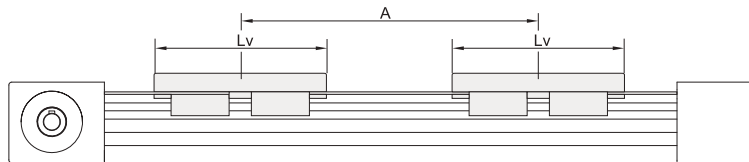


**General technical data for double carriage**

Linear Unit	Carriage version	Dynamic load capacity C [ N ]	* Dynamic moment	Dynamic moment			* Forces		Max. permissible loads		
				Mx [ Nm ]	My [ Nm ]	Mz [ Nm ]	Fpy [ N ]	Fpz [ N ]	Mpx [ Nm ]	Mpy [ Nm ]	Mpz [ Nm ]
MTJ ECO 40	S2	19800	158	9,9 * A [mm]	9,9 * A [mm]	6540	10190	68	5,1 * A [mm]	3,3 * A [mm]	
	L2	39600	317	19,8 * A [mm]	19,8 * A [mm]	13080	20380	120	10,2 * A [mm]	6,5 * A [mm]	

\*A - Distance between carriages. More on page 4.030.0

**i** Presented values are for informational purposes only. Exact values can be calculated using our sizing selection tool on Unimotion web site. For grater number of carriages please contact us.



**Drive and belt data**

Linear Unit	**Max. travel speed [ m / s ]	Max. drive torque [ Nm ]	* No load torque [ Nm ]	Puley drive ratio [ mm / rev ]	Pulley diameter [ mm ]	Belt type	Belt width [ mm ]	Max. force transmitted by belt [ N ]	Specific spring constant Cspec [ N ]	** Max. acceleration [ m/s <sup>2</sup> ]
MTJ 40 ECO S	3	7,5	1,0	180	57,31	AT5	12	262	235000	70
MTJ 40 ECO L			1,1							

\*The stated values are for strokes up to 500mm. No Load Torque value increases with stroke elongation.

\*\*For travel speed and acceleration over the stated value in the table above or diagrams please contact us.

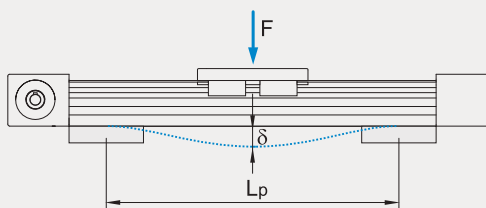
Mass and mass moment of inertia

Linear Unit	Carriage length Lv [ mm ]	Mass of linear unit [ kg ]	Mass moment of inertia [ 10 <sup>-5</sup> kg * m <sup>2</sup> ]	Planar moment of inertia	
				Iy [ cm <sup>4</sup> ]	Iz [ cm <sup>4</sup> ]
MTJ 40 ECO S	132	3,1 + 0,003 * Stroke [ mm ]	70,1 + 0,007 * Stroke [ mm ]	9,53	9,21
MTJ 40 ECO L	200	3,55 + 0,003 * Stroke [ mm ]	92,3 + 0,007 * Stroke [ mm ]		

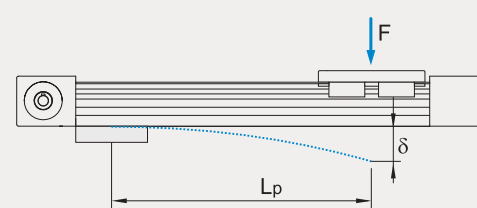
**i** Mass calculation doesn't include mass of motor, reduction gear, switches and clamps.

Deflection of the linear unit

Fixed - fixed mounting



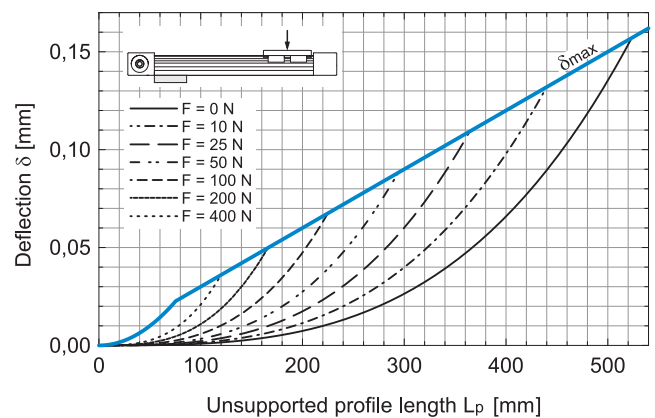
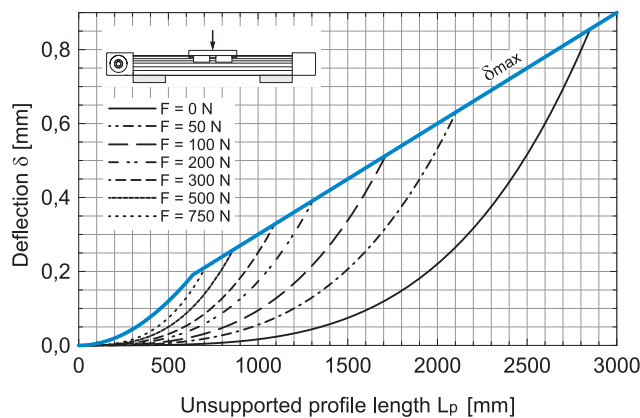
Fixed - free mounting



- δ Maximum deflection of the linear unit [mm]
- δmax Maximum permissible deflection of the linear unit [mm]
- F Applied force [N]
- Lp Unsupported profile length [mm]

**i** The maximum permissible deflection δmax must not be exceeded. In the case that maximum deflection δ exceeds the maximum permissible deflection δmax additional profile supports are needed.

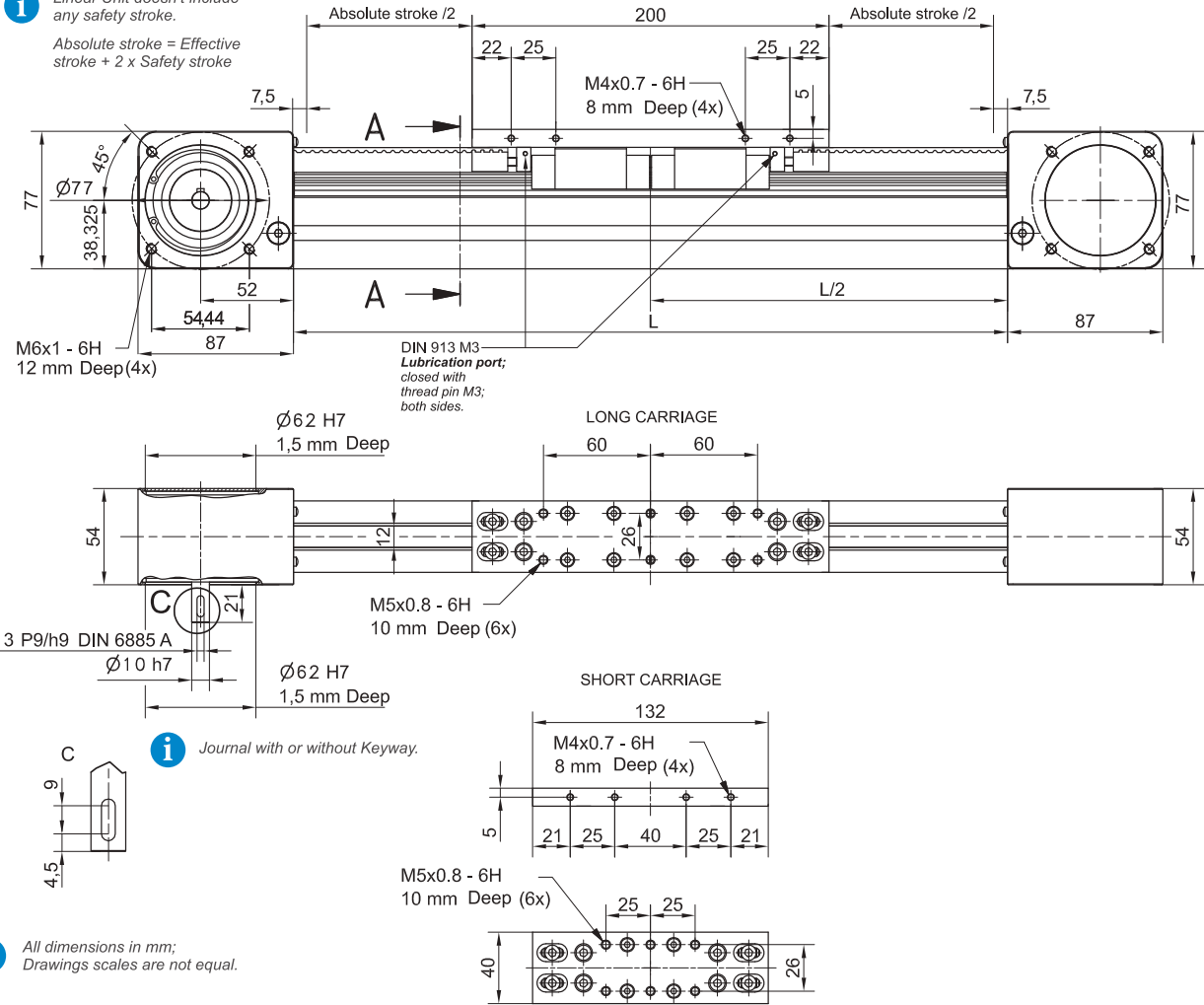
MTJ 40 ECO



**DIMENSIONS**

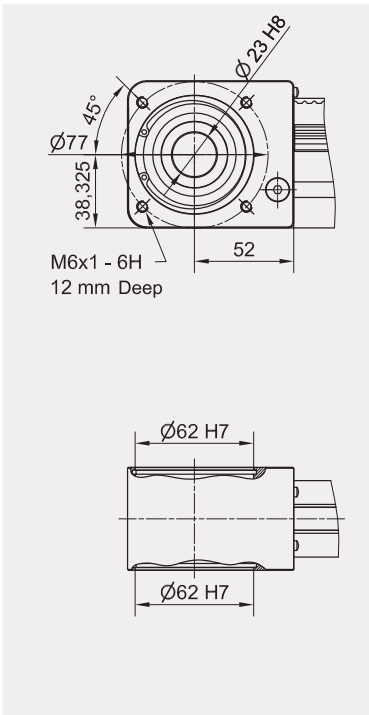
**i** Linear Unit doesn't include any safety stroke.

Absolute stroke = Effective stroke + 2 x Safety stroke

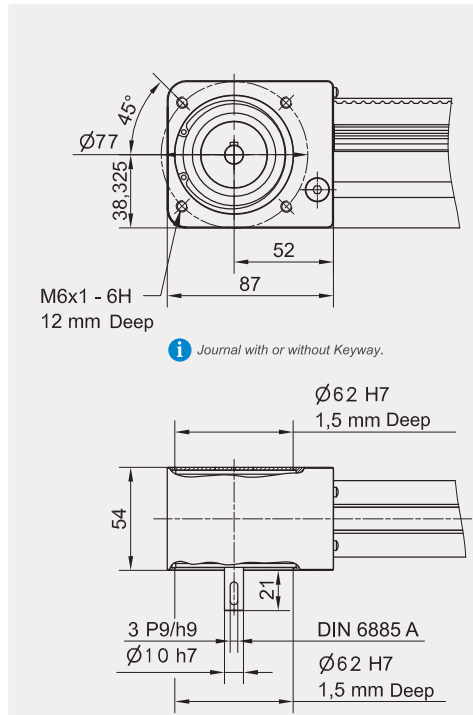


**i** All dimensions in mm; Drawings scales are not equal.

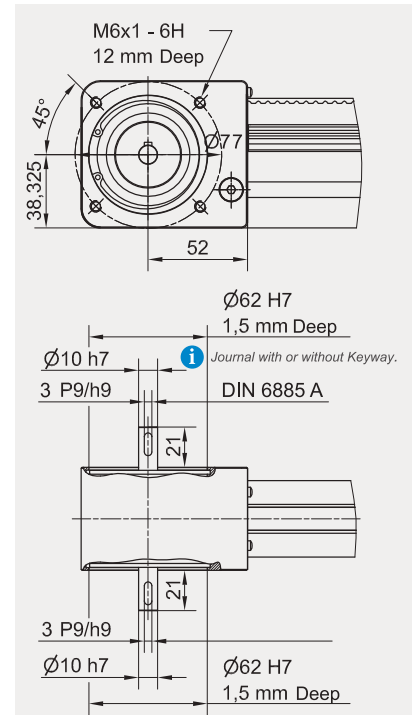
**TYPE 0**

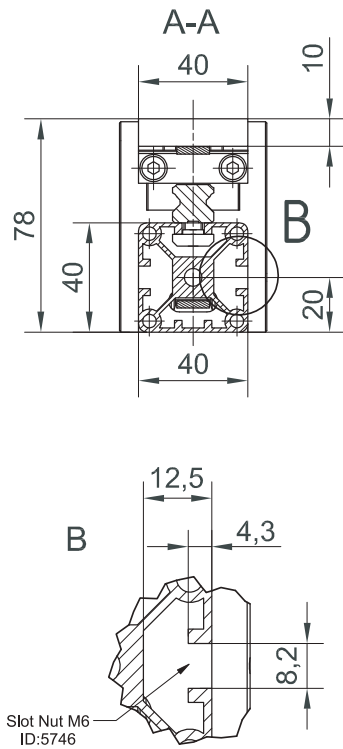


**TYPE 1 L and 1 R**



**TYPE 2**





**i** All dimensions in mm;  
Drawings scales are not equal.

**Mounting the drive**

- by the **MOTOR ADAPTER WITH COUPLING** (Page 8.020.0)

**i** Available on request.

**Defining of the linear unit length**

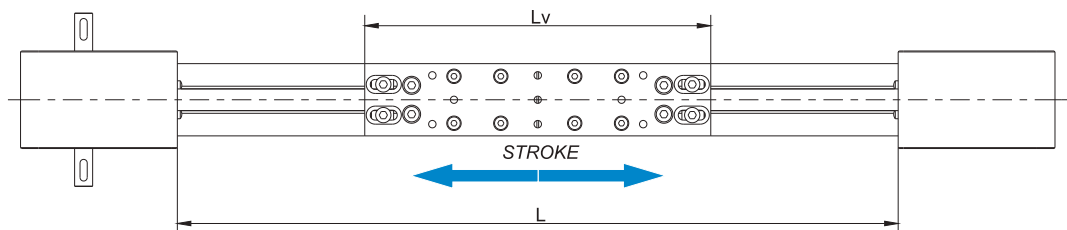
**L = Effective stroke + 2 × Safety stroke + Lv + 15 mm**

**Lv - Long carriage = 200 mm**

**Ltotal = L + 174 mm**

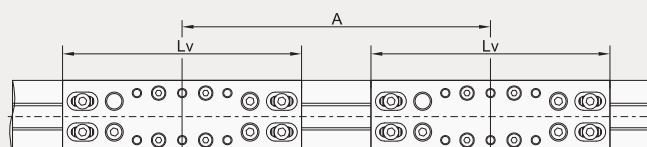
**Lv - Short carriage = 132 mm**

Left side (L)



Right side (R)

**Double Carriage**



**i** For ordering code please contact us.

**L = Effective stroke + 2 × Safety stroke + Lv + A + 15 mm** } **A ≥ Lv** **!**  
**Ltotal = L + 174 mm**



**CHARACTERISTICS**

The **MTJZ** series contains Z-axis Linear Units with toothed belt drive, integrated Ball rail system and compact dimensions. This Linear Units provide high performance features such as, high speed, good accuracy and repeatability by vertical applications.

They can easily be combined to multi-axis systems.

Excellent price-/performance ratio and quick delivery time are ensured.

The compact, precision-extruded aluminum Profile from 6063 AL with integrated Zero-backlash Ball rail guide system, allows high load capacities and optimal cycles for the movement of larger masses at high speed.

In the linear units MTJZ is used a pre-tensioned steel reinforced AT polyurethane timing toothed belt. In conjunction with a Zero-backlash drive pulley high moments with alternating loads with good positioning accuracy, low wear and low noise can be realized.

The in the Profile slot driving Polyurethane timing belt protects all the parts in the Profile from dust and other contaminations

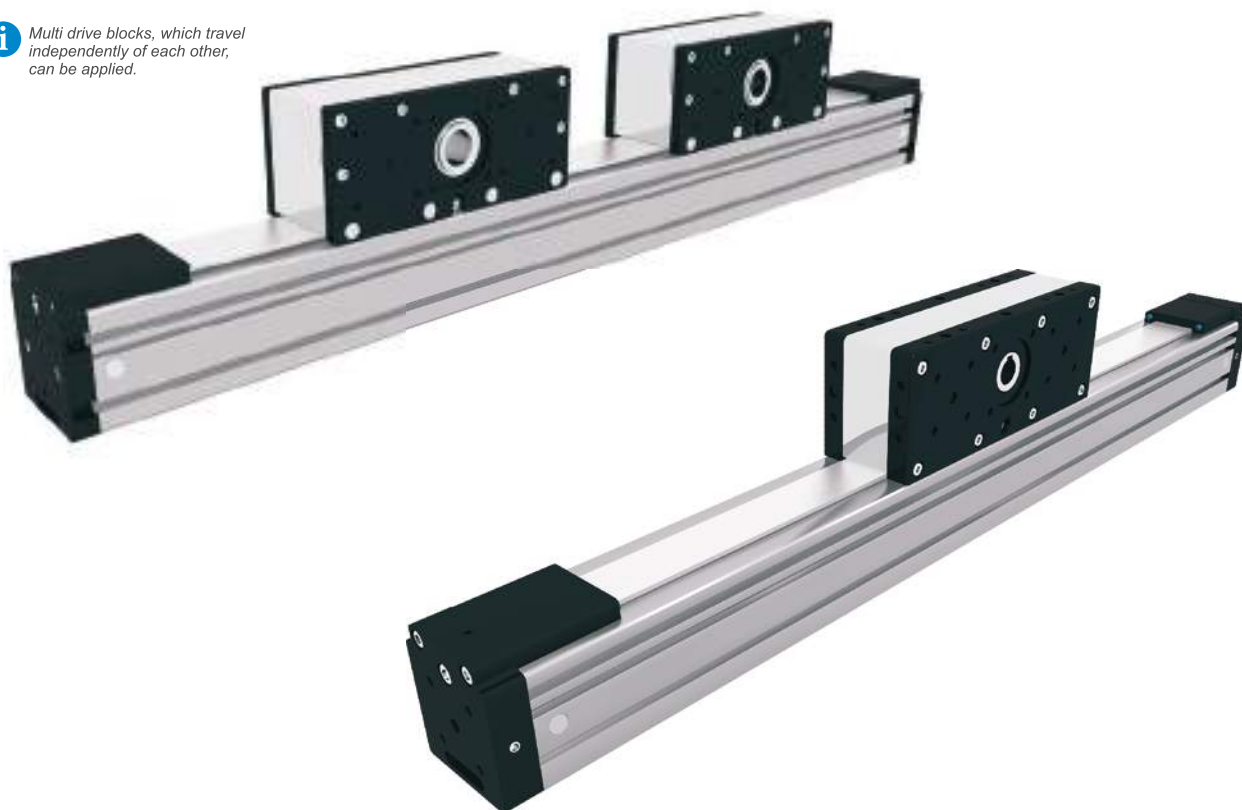
The aluminum Profile includes T-slots for attaching sensors and switches. Also, a Reed switch can be used here.

The drive block provides the possibility to attach a Motor or Gearbox housing and additional accessories on it.

Central lubrication port on the drive block allows easy re-lubrication of the Ball rail guide.

For the linear units MTJZ various adaptation options, for attaching (or redirecting), for Motors or Gearboxes are available.

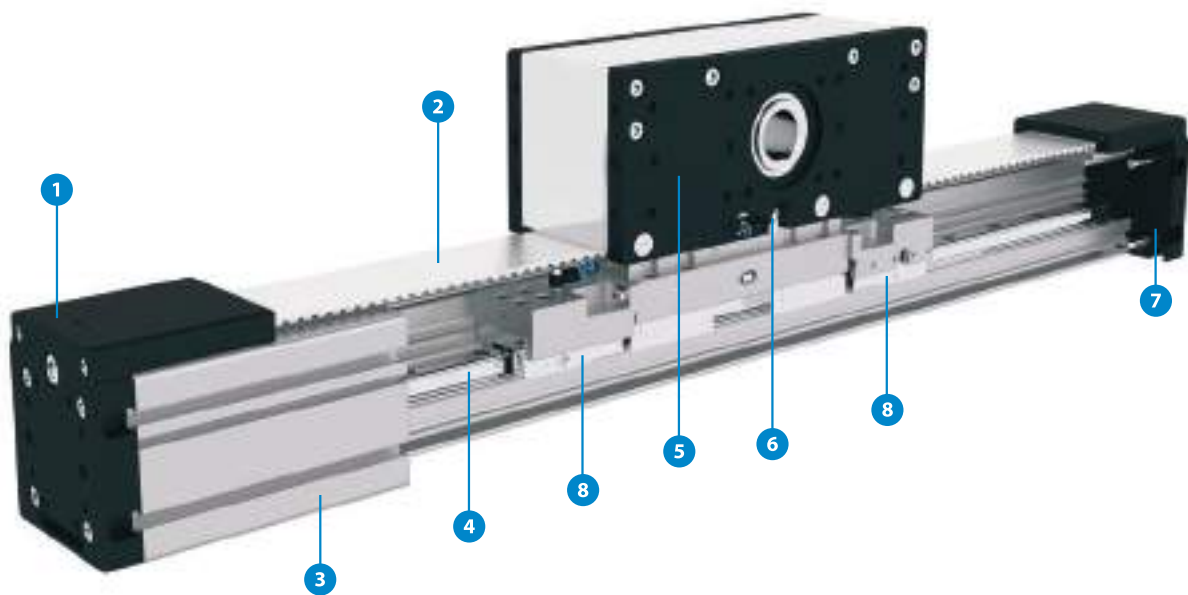
**i** Multi drive blocks, which travel independently of each other, can be applied.



**i** The aluminium profiles are manufactured according to the medium EN 12020-2 standard

*Straightness = 0,35 mm/m; Max. torsion = 0,35 mm/m; Angular torsion = 0,2 mm/40 mm; Parallelism = 0,2 mm*

STRUCTURAL DESIGN



- 1 - Tension End with integrated belt tensioning system
- 2 - AT polyurethane toothed belt with steel tension cords
- 3 - Aluminium profile-Hard anodized
- 4 - Linear Ball Guideway
- 5 - Drive block with pulley, Motor flange; with built in Magnets
- 6 - Central lubrication port; both sides
- 7 - Tension End with integrated belt tensioning system
- 8 - Clamping and braking element for linear guideway



**MTJZ - 65 - 1000 - 1 - 0 - 1**

**Series :** \_\_\_\_\_

**MTJZ**

**Size :** \_\_\_\_\_

**40**

**65**

**80**

**110**

**Absolute Stroke (mm) :** \_\_\_\_\_

(Absolute stroke = Effective stroke + 2 x Safety stroke)

**Type of drive pulley :** \_\_\_\_\_

**0 :** Pulley with through hole

**1 :** Pulley with journal

**10 :** Pulley with journal (without Keyway)

**2 :** Pulley with journal on both sides

**20 :** Pulley with journal on both sides (without Keyway)

**!** MTJZ 110 only available with drive pulley with through hole

**Clamping element :** \_\_\_\_\_

**0 :** Without

**1 :** With (available only for MTJZ 110)

**!** Only as emergency break!

**Number of drive blocks :** \_\_\_\_\_

The stated number specifies the number of drive blocks on one Linear unit

**TECHNICAL DATA**

**General technical data**

Linear Unit	Drive block length Lv [ mm ]	Dynamic load capacity C [ N ]	Dynamic moment			Mass of drive block [ kg ]	Maximum Repeatability [ mm ]	Max. length <sup>2</sup> (Version 1) Lmax [ mm ]	Max. length <sup>2</sup> (Version 2) Lmax [ mm ]	Max. Stroke		Min. Stroke [ mm ]
			Mx [ Nm ]	My [ Nm ]	Mz [ Nm ]					<sup>2</sup> (Ver. 1) [ mm ]	<sup>2</sup> (Ver. 2) [ mm ]	
MTJZ 40	120	4610	28	120	120	0,95	±0,08	1000	3000	792	2792	25

<sup>1</sup> For minimum stroke below the stated value in the table above please contact us.

<sup>3</sup> For lengths / stroke over the stated value in the table above please contact us.  
Values for max. stroke are not valid for multi drive block  
(equation of defining the linear unit length for particular size of the linear unit needs to be used).

Linear Unit	Max. permissible loads				
	Forces		Moments		
	Fpy [ N ]	Fpz [ N ]	Mpx [ Nm ]	Mpy [ Nm ]	Mpz [ Nm ]
MTJZ 40	2320	1510	14	40	62

**i Recommended values of loads**

All the data of dynamic moments and load capacities stated in the upper table are theoretical without considering any safety factor. The safety factor depends on the application and its requested safety. We recommend a minimum safety factor (fs =5.0)

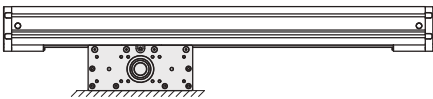
**Modulus of elasticity:**  $E = 70000 \text{ N / mm}^2$

Operating conditions	
Operating temp.	0°C ~ +60°C
Duty cycle	100%

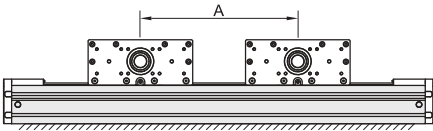
For operating temperature out of the presented range, please contact us.

**<sup>2</sup> Mounting versions**

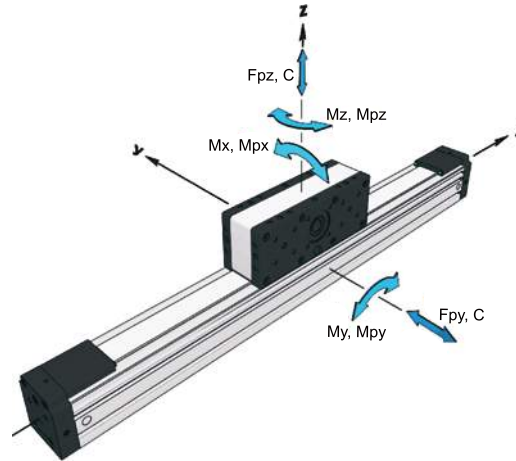
**Version 1:** Mounting by the drive block, profile travels



**Version 2:** Mounting by the profile, drive block travels



Multi drive blocks, which travel independently of each other, can be applied.  
For ordering code please contact us.



**Drive and belt data**

Linear Unit	** Max. travel speed [ m / s ]	Max. drive torque [ Nm ]	* No load torque [ Nm ]	Puley drive ratio [ mm / rev ]	Pulley diameter [ mm ]	Belt type	Belt width [ mm ]	Max. force transmitted by belt [ N ]	Specific spring constant Cspec [ N ]	** Max. acceleration [ m/s <sup>2</sup> ]
MTJZ 40	5	3,6	0,2	99	31,51	AT3	20	230	225000	70

\* The stated values are for strokes up to 500mm. No Load Torque value increases with stroke elongation.

\*\* For travel speed and acceleration over the stated value in the table above or diagrams please contact us.

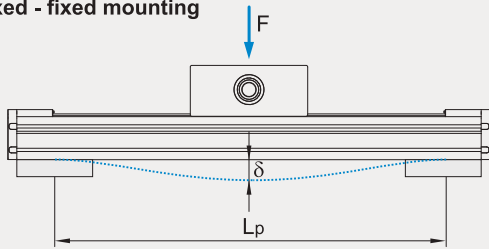
**Mass and mass moment of inertia**

Linear Unit	Mass of linear unit [ kg ]	Mass moment of inertia of drive block [ 10 <sup>-4</sup> kg * m <sup>2</sup> ]	Planar moment of inertia	
			Iy [ cm <sup>4</sup> ]	Iz [ cm <sup>4</sup> ]
MTJZ 40	1,7 + 0,0023 * Stroke [ mm ]	2,3 + 0,0058 * Stroke [ mm ]	9,8	11,6

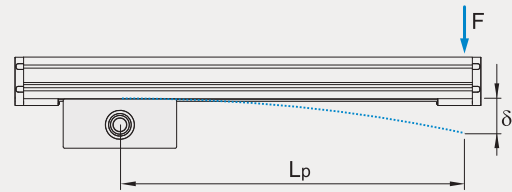
**i** Mass calculation doesn't include mass of motor, reduction gear, switches and clamps.

Deflection of the linear unit

Fixed - fixed mounting



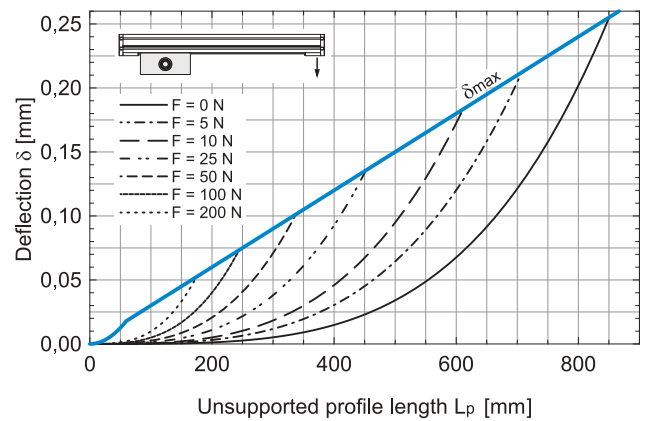
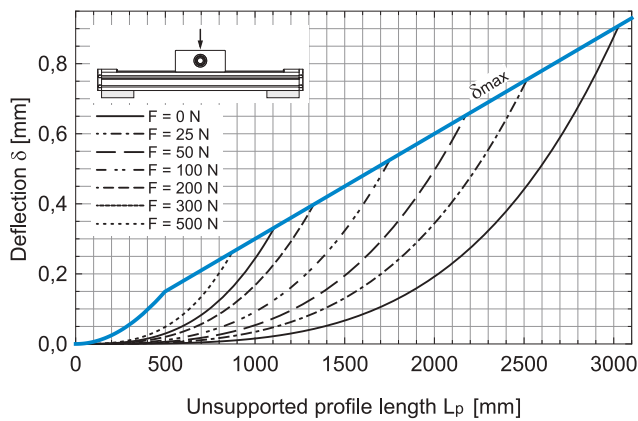
Fixed - free mounting



- $\delta$  Maximum deflection of the linear unit [mm]
- $\delta_{max}$  Maximum permissible deflection of the linear unit [mm]
- F Applied force [N]
- $L_p$  Unsupported profile length [mm]

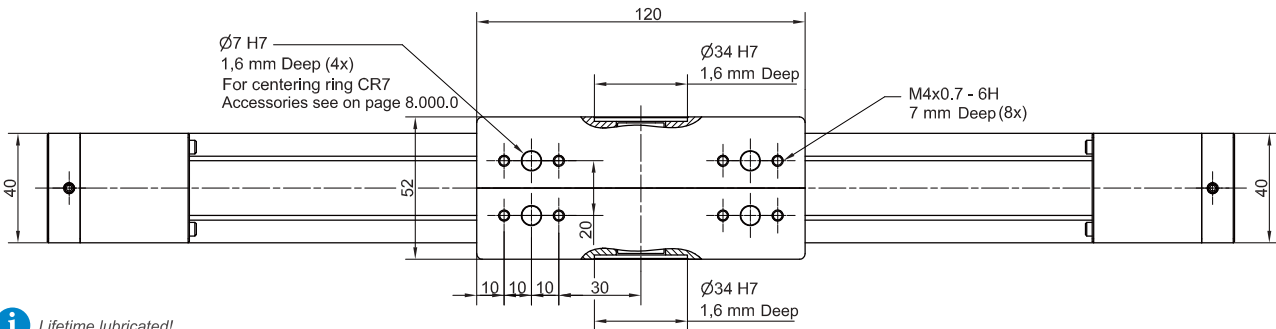
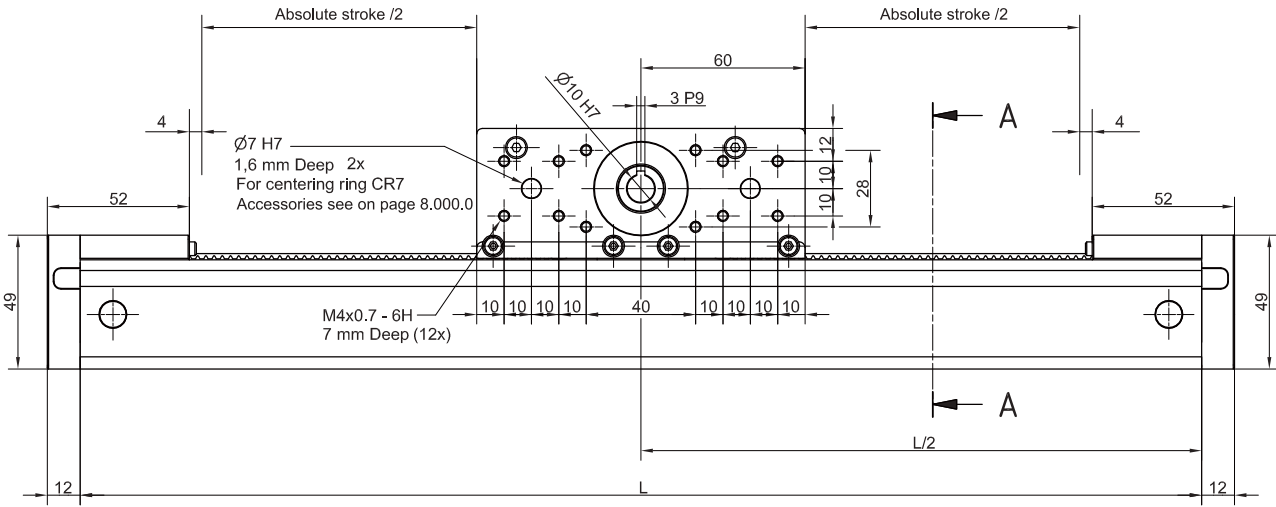
**i** The maximum permissible deflection  $\delta_{max}$  must not be exceeded. In the case that maximum deflection  $\delta$  exceeds the maximum permissible deflection  $\delta_{max}$  additional profile supports are needed.

MTJZ 40



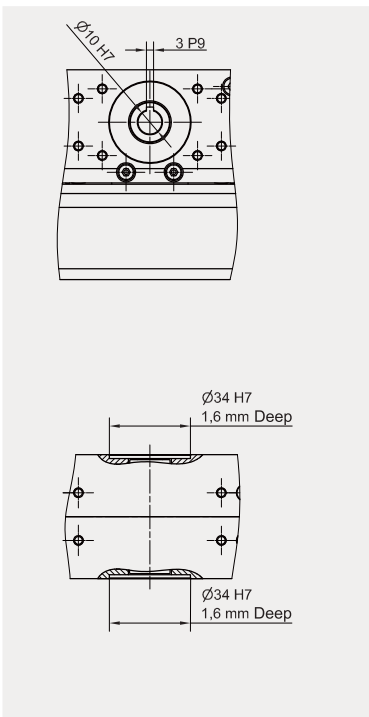
**DIMENSIONS**

**i** Linear Unit doesn't include any safety  
Absolute stroke = Effective stroke + 2 x Safety stroke.

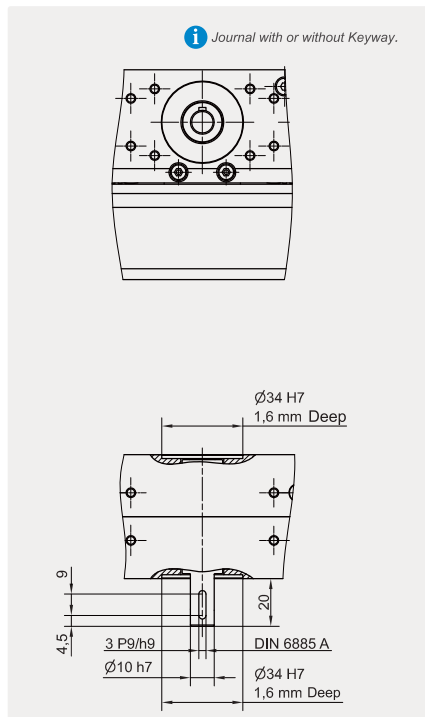


**i** Lifetime lubricated!  
**i** All dimensions in mm; Drawings scales are not equal.

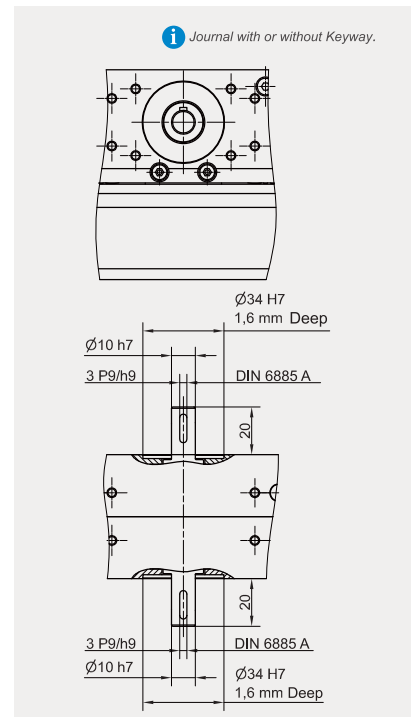
**TYPE 0**

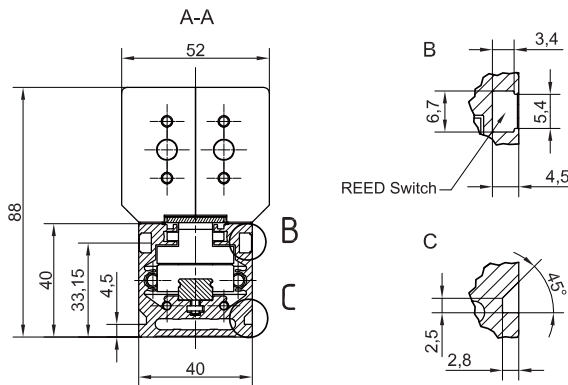
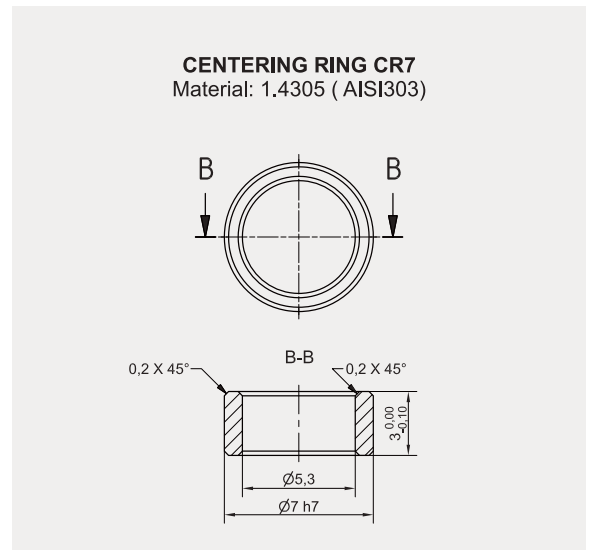
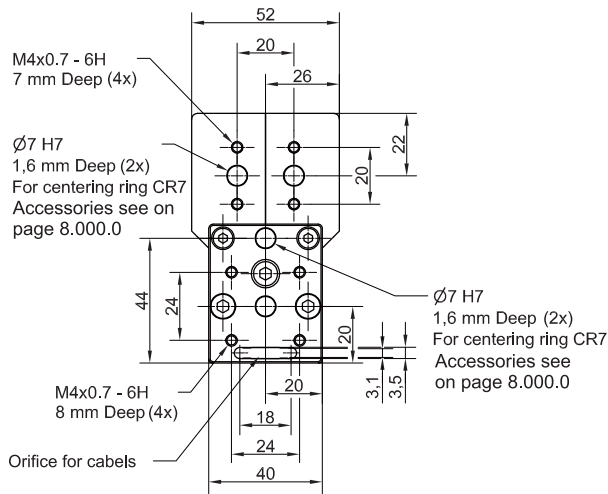


**TYPE 1**



**TYPE 2**



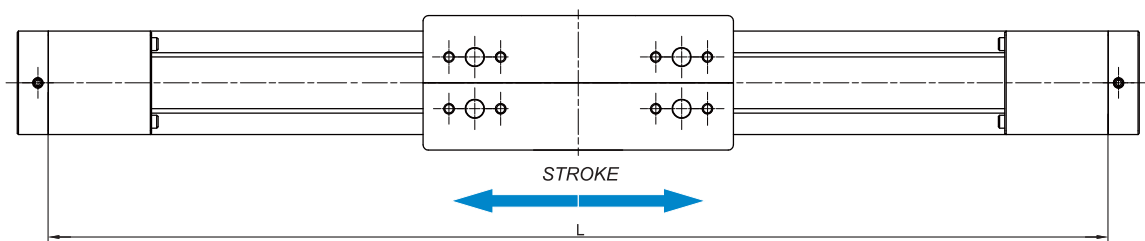


**i** All dimensions in mm; Drawings scales are not equal.

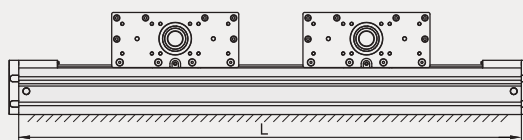
**Defining of the linear unit length**

**L = Effective stroke + 2 × Safety stroke + 208 mm**

**Ltotal = L + 24 mm**



**Multi drive block**



**L = Effective stroke + 2 × Safety stroke + 120 × n<sub>b</sub> + 88 mm**

n<sub>b</sub> - number of drive blocks

**Ltotal = L + 24 mm**

**TECHNICAL DATA**

**General technical data**

Linear Unit	Drive block length Lv [ mm ]	Dynamic load capacity C [ N ]	Dynamic moment			Mass of drive block [ kg ]	Maximum Repeatability [ mm ]	Max. length <sup>2</sup> (Version 1) Lmax [ mm ]	Max. length <sup>2</sup> (Version 2) Lmax [ mm ]	Max. Stroke		Min. Stroke [ mm ]
			Mx [ Nm ]	My [ Nm ]	Mz [ Nm ]					<sup>2</sup> (Ver. 1) [ mm ]	<sup>2</sup> (Ver. 2) [ mm ]	
MTJZ 65	200	19800	158	1025	1025	3,2	±0,08	1200	6000	880	5680	40

<sup>1</sup> For minimum stroke below the stated value in the table above please contact us.

<sup>3</sup> For lengths / stroke over the stated value in the table above please contact us.  
Values for max. stroke are not valid for multi drive block  
(equation of defining the linear unit length for particular size of the linear unit needs to be used).

Linear Unit	Max. permissible loads				
	Forces		Moments		
	Fpy [ N ]	Fpz [ N ]	Mpx [ Nm ]	Mpy [ Nm ]	Mpz [ Nm ]
MTJZ 65	6540	5870	60	305	340

**i Recommended values of loads**

All the data of dynamic moments and load capacities stated in the upper table are theoretical without considering any safety factor. The safety factor depends on the application and its requested safety. We recommend a minimum safety factor (fs =5.0)

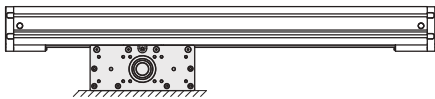
**Modulus of elasticity:**  $E = 70000 \text{ N / mm}^2$

Operating conditions	
Operating temp.	0°C ~ +60°C
Duty cycle	100%

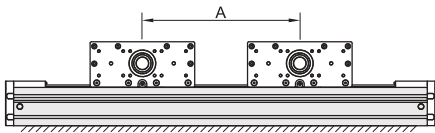
For operating temperature out of the presented range, please contact us.

**<sup>2</sup> Mounting versions**

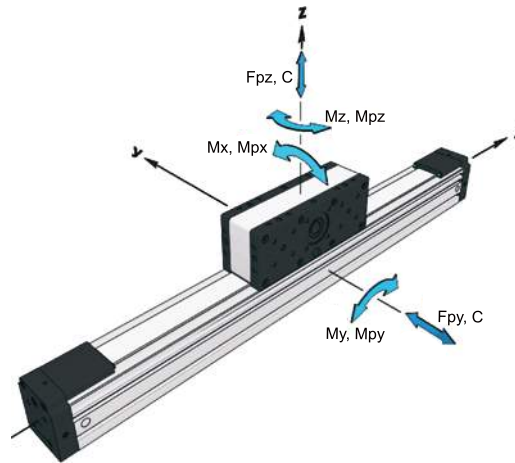
**Version 1:** Mounting by the drive block, profile travels



**Version 2:** Mounting by the profile, drive block travels



Multi drive blocks, which travel independently of each other, can be applied.  
For ordering code please contact us.



**Drive and belt data**

Linear Unit	** Max. travel speed [ m / s ]	Max. drive torque [ Nm ]	* No load torque [ Nm ]	Puley drive ratio [ mm / rev ]	Pulley diameter [ mm ]	Belt type	Belt width [ mm ]	Max. force transmitted by belt [ N ]	Specific spring constant Cspec [ N ]	** Max. acceleration [ m/s <sup>2</sup> ]
MTJZ 65	5	13,1	0,9	165	52,52	AT5	32	500	600000	70

\*The stated values are for strokes up to 500mm. No Load Torque value increases with stroke elongation.

\*\*For travel speed and acceleration over the stated value in the table above or diagrams please contact us.

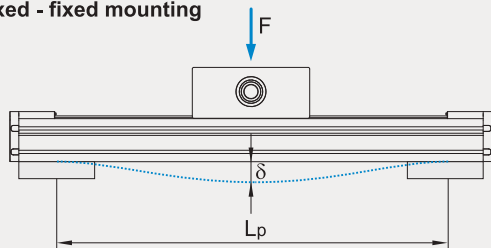
**Mass and mass moment of inertia**

Linear Unit	Mass of linear unit [ kg ]	Mass moment of inertia of drive block [ 10 <sup>-4</sup> kg * m <sup>2</sup> ]	Planar moment of inertia	
			Iy [ cm <sup>4</sup> ]	Iz [ cm <sup>4</sup> ]
MTJZ 65	5,7 + 0,0054 * Hub [ mm ]	18,9 + 0,0374 * Hub [ mm ]	59,7	74,4

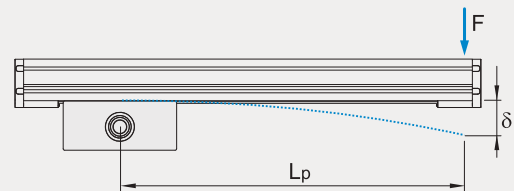
**i** Mass calculation doesn't include mass of motor, reduction gear, switches and clamps.

Deflection of the linear unit

Fixed - fixed mounting



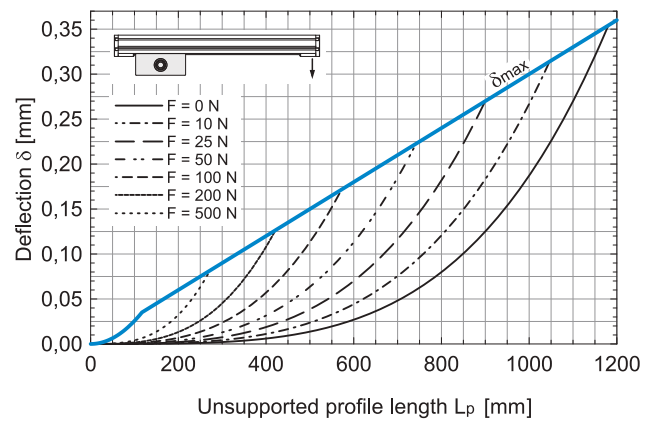
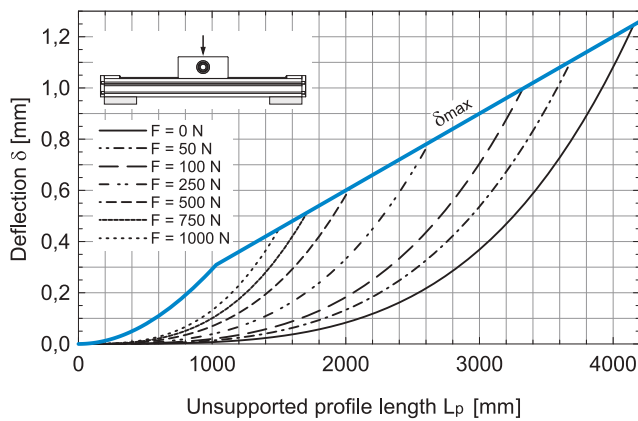
Fixed - free mounting



- $\delta$  Maximum deflection of the linear unit [mm]
- $\delta_{max}$  Maximum permissible deflection of the linear unit [mm]
- $F$  Applied force [N]
- $L_p$  Unsupported profile length [mm]

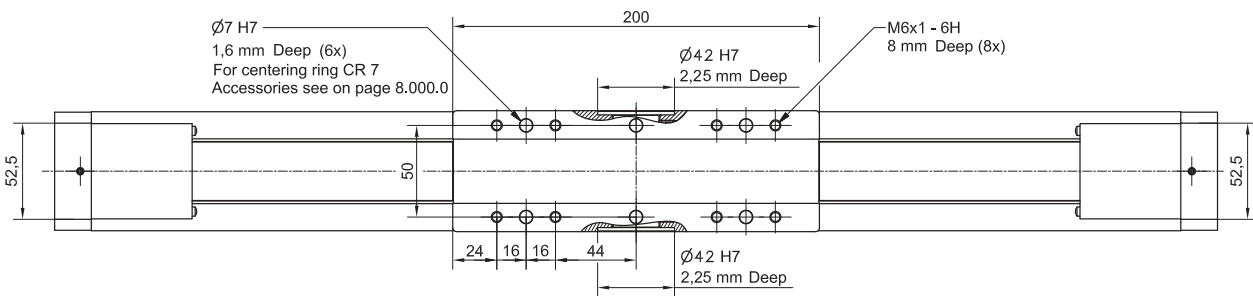
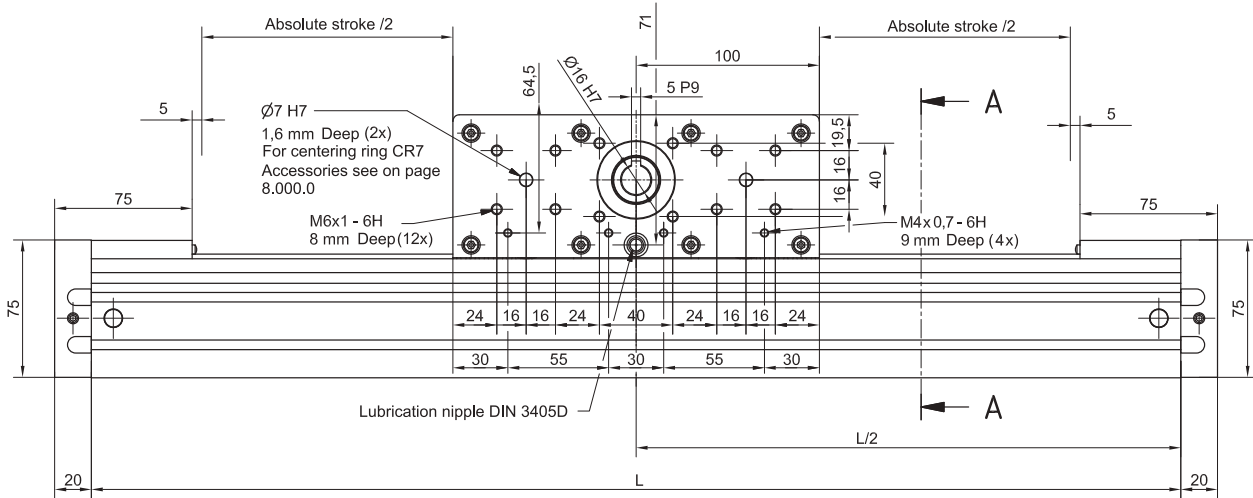
**i** The maximum permissible deflection  $\delta_{max}$  must not be exceeded. In the case that maximum deflection  $\delta$  exceeds the maximum permissible deflection  $\delta_{max}$  additional profile supports are needed.

MTJZ 65



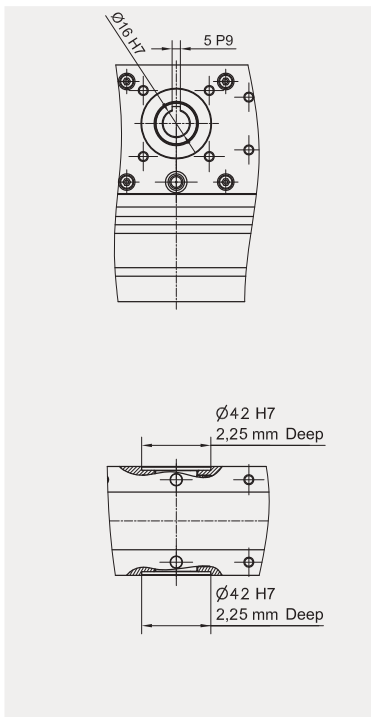
**DIMENSIONS**

**i** Linear Unit doesn't include any safety stroke.  
Absolute stroke = Effective stroke + 2 x Safety stroke

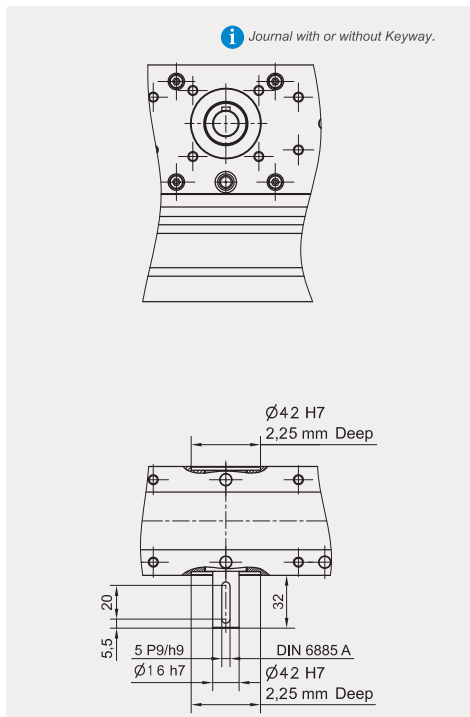


**i** All dimensions in mm; Drawings scales are not equal.

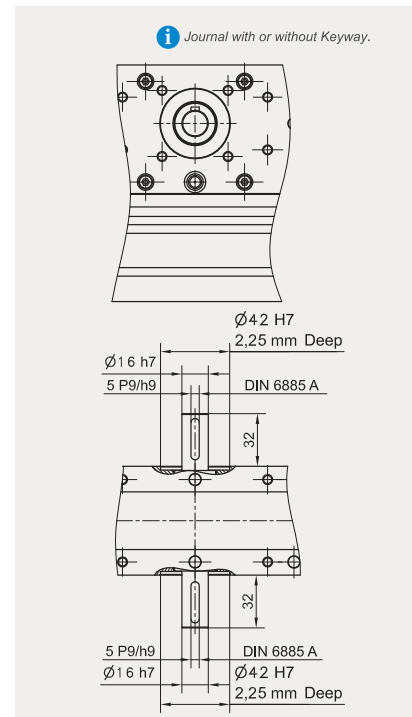
**TYPE 0**



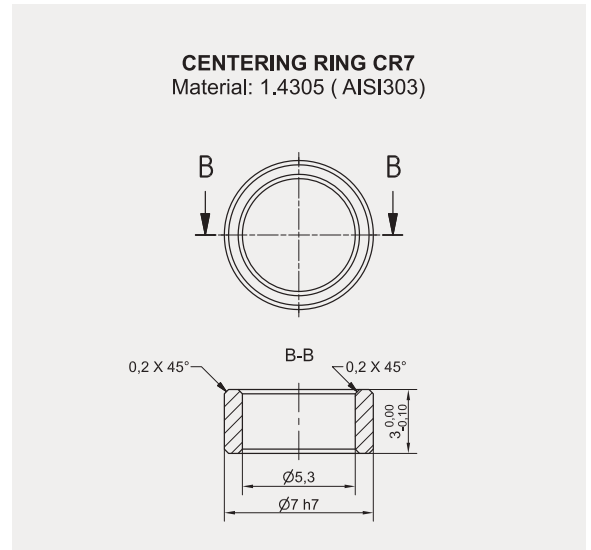
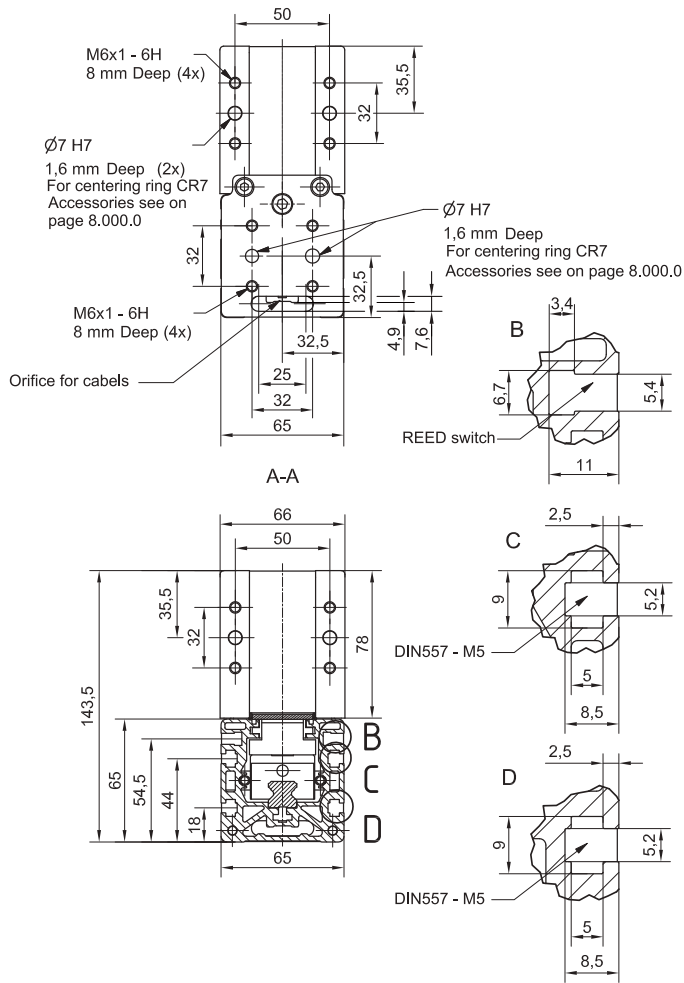
**TYPE 1**



**TYPE 2**





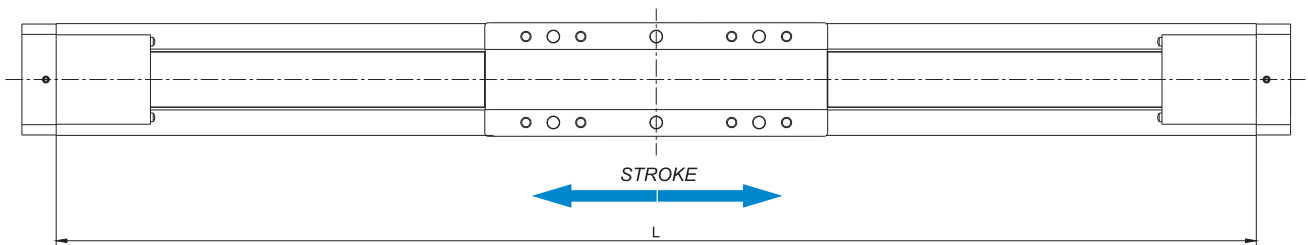


**i** All dimensions in mm; Drawings scales are not equal.

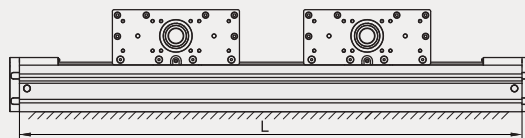
**Defining of the linear unit length**

**L = Effective stroke + 2 × Safety stroke + 320 mm**

**Ltotal = L + 40 mm**



**Multi drive block**



**L = Effective stroke + 2 × Safety stroke + 200 × n<sub>b</sub> + 120 mm**

n<sub>b</sub> - number of drive blocks

**Ltotal = L + 40 mm**

**TECHNICAL DATA**

**General technical data**

Linear Unit	Drive block length Lv [ mm ]	Dynamic load capacity C [ N ]	Dynamic moment			Mass of drive block [ kg ]	Maximum Repeatability [ mm ]	Max. length <sup>2</sup> (Version 1) Lmax [ mm ]	Max. length <sup>2</sup> (Version 2) Lmax [ mm ]	Max. Stroke		Min. Stroke [ mm ]
			Mx [ Nm ]	My [ Nm ]	Mz [ Nm ]					<sup>2</sup> (Ver. 1) [ mm ]	<sup>2</sup> (Ver. 2) [ mm ]	
MTJZ 80	250	34200	370	2565	2565	4,9	±0,08	1500	6000	1118	5618	55

<sup>1</sup> For minimum stroke below the stated value in the table above please contact us.

<sup>3</sup> For lengths / stroke over the stated value in the table above please contact us.  
Values for max. stroke are not valid for multi drive block  
(equation of defining the linear unit length for particular size of the linear unit needs to be used).

Linear Unit	Max. permissible loads				
	Forces		Moments		
	Fpy [ N ]	Fpz [ N ]	Mpx [ Nm ]	Mpy [ Nm ]	Mpz [ Nm ]
MTJZ 80	8930	7130	150	535	670

**i Recommended values of loads**

All the data of dynamic moments and load capacities stated in the upper table are theoretical without considering any safety factor. The safety factor depends on the application and its requested safety. We recommend a minimum safety factor (fs =5.0)

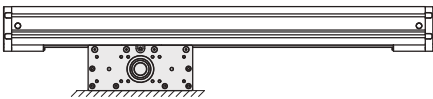
**Modulus of elasticity:**  $E = 70000 \text{ N / mm}^2$

Operating conditions	
Operating temp.	0°C ~ +60°C
Duty cycle	100%

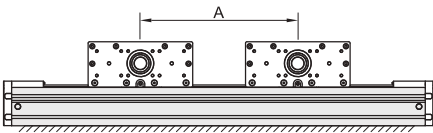
For operating temperature out of the presented range, please contact us.

**2 Mounting versions**

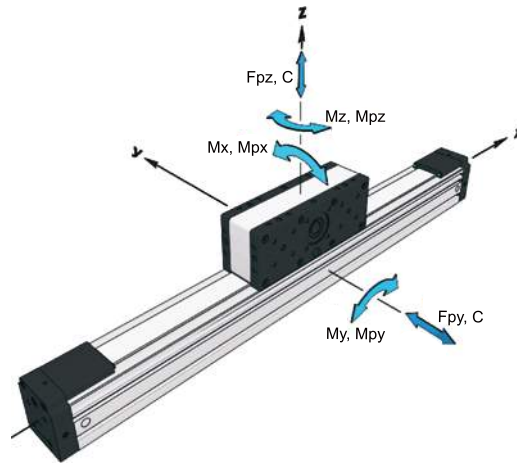
**Version 1:** Mounting by the drive block, profile travels



**Version 2:** Mounting by the profile, drive block travels



Multi drive blocks, which travel independently of each other, can be applied. For ordering code please contact us.



**Drive and belt data**

Linear Unit	** Max. travel speed [ m / s ]	Max. drive torque [ Nm ]	* No load torque [ Nm ]	Puley drive ratio [ mm / rev ]	Pulley diameter [ mm ]	Belt type	Belt width [ mm ]	Max. force transmitted by belt [ N ]	Specific spring constant Cspec [ N ]	** Max. acceleration [ m/s <sup>2</sup> ]
MTJZ 80	5	29,4	1,4	210	66,84	AT5	50	880	960000	70

\*The stated values are for strokes up to 500mm. No Load Torque value increases with stroke elongation.

\*\*For travel speed and acceleration over the stated value in the table above or diagrams please contact us.

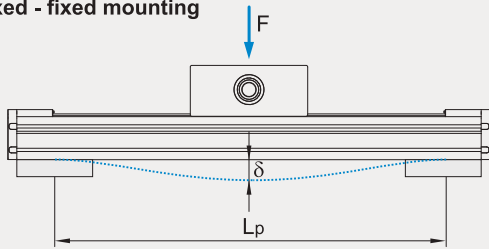
**Mass and mass moment of inertia**

Linear Unit	Mass of linear unit	Mass moment of inertia of drive block	Planar moment of inertia	
	[ kg ]	[ 10 <sup>-4</sup> kg * m <sup>2</sup> ]	Iy [ cm <sup>4</sup> ]	Iz [ cm <sup>4</sup> ]
MTJZ 80	9,7 + 0,0083 * Stroke [ mm ]	60,5 + 0,0922 * Stroke [ mm ]	129,1	173,4

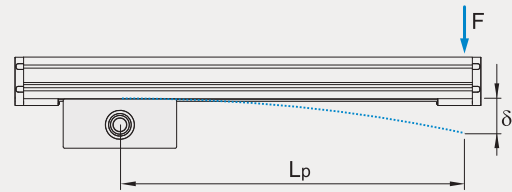
**i** Mass calculation doesn't include mass of motor, reduction gear, switches and clamps.

Deflection of the linear unit

Fixed - fixed mounting



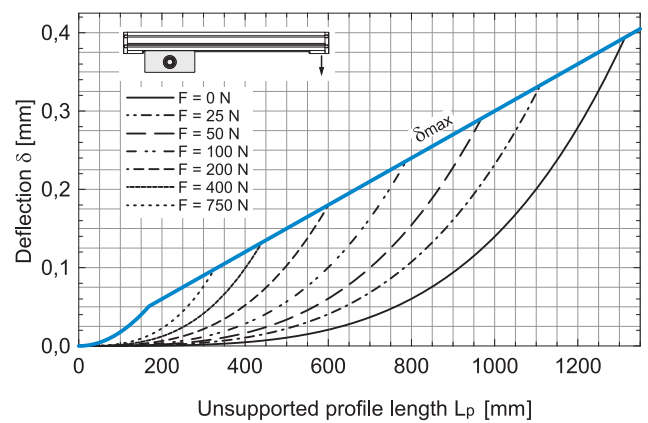
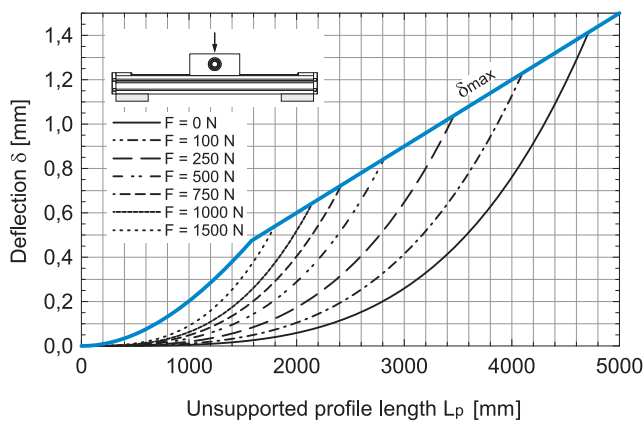
Fixed - free mounting



- $\delta$  Maximum deflection of the linear unit [mm]
- $\delta_{max}$  Maximum permissible deflection of the linear unit [mm]
- F Applied force [N]
- $L_p$  Unsupported profile length [mm]

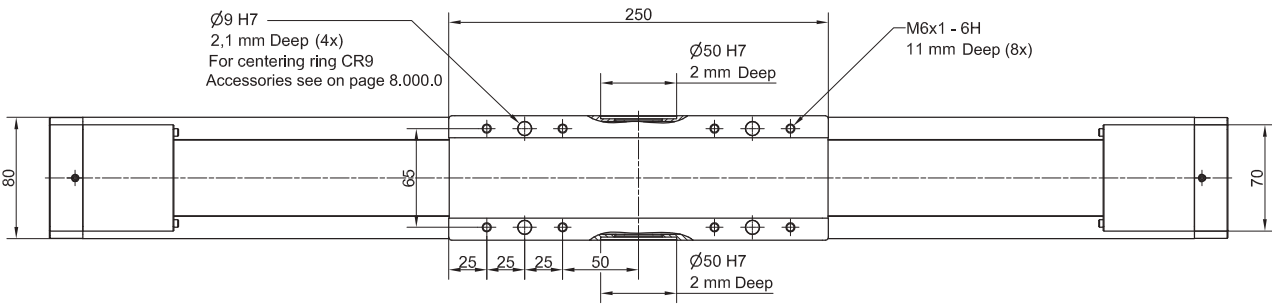
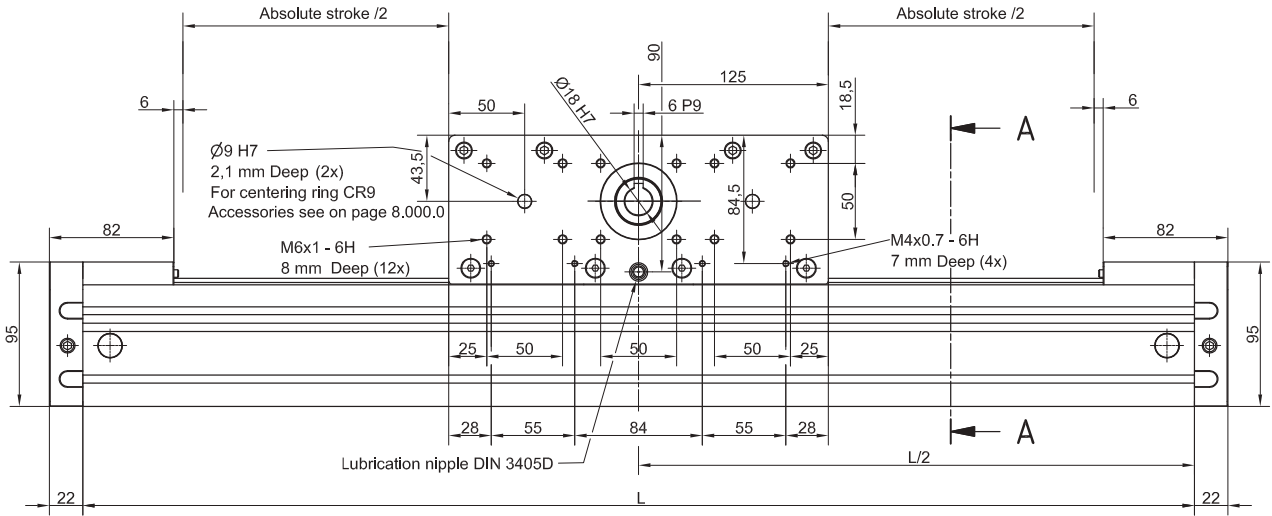
**i** The maximum permissible deflection  $\delta_{max}$  must not be exceeded. In the case that maximum deflection  $\delta$  exceeds the maximum permissible deflection  $\delta_{max}$  additional profile supports are needed.

MTJZ 80



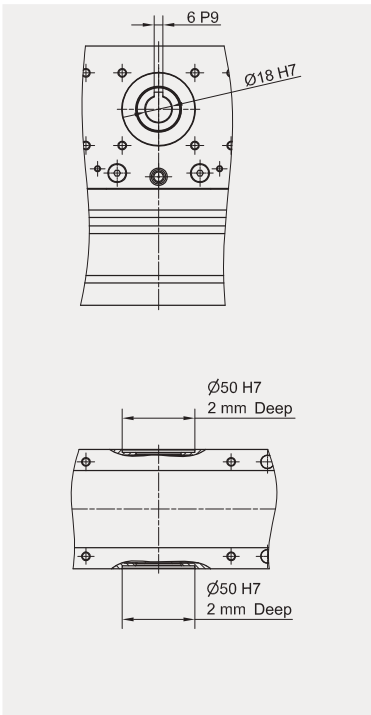
**DIMENSIONS**

**i** Linear Unit doesn't include any safety stroke.  
Absolute stroke = Effective stroke + 2 x Safety stroke

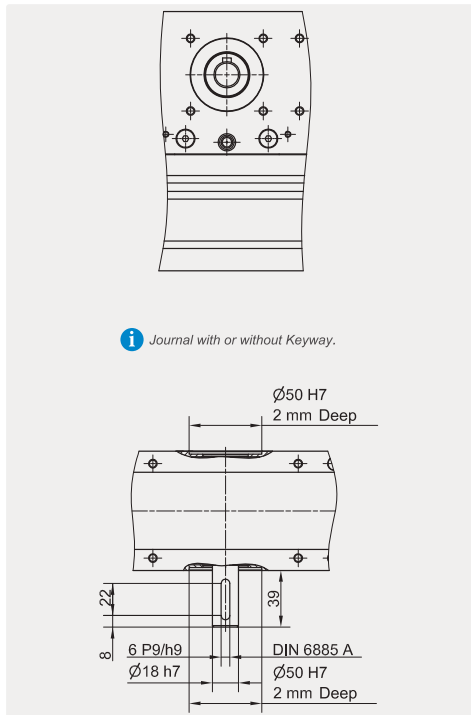


**i** All dimensions in mm; Drawings scales are not equal.

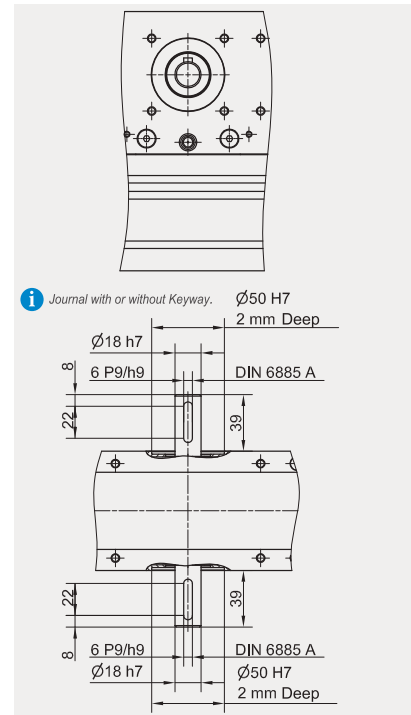
**TYPE 0**



**TYPE 1**

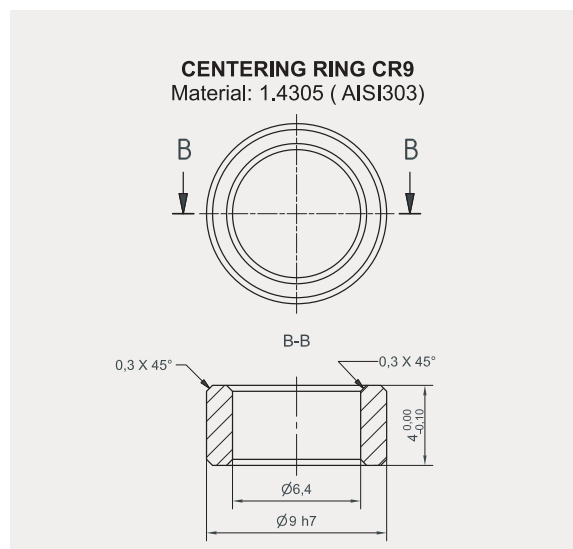
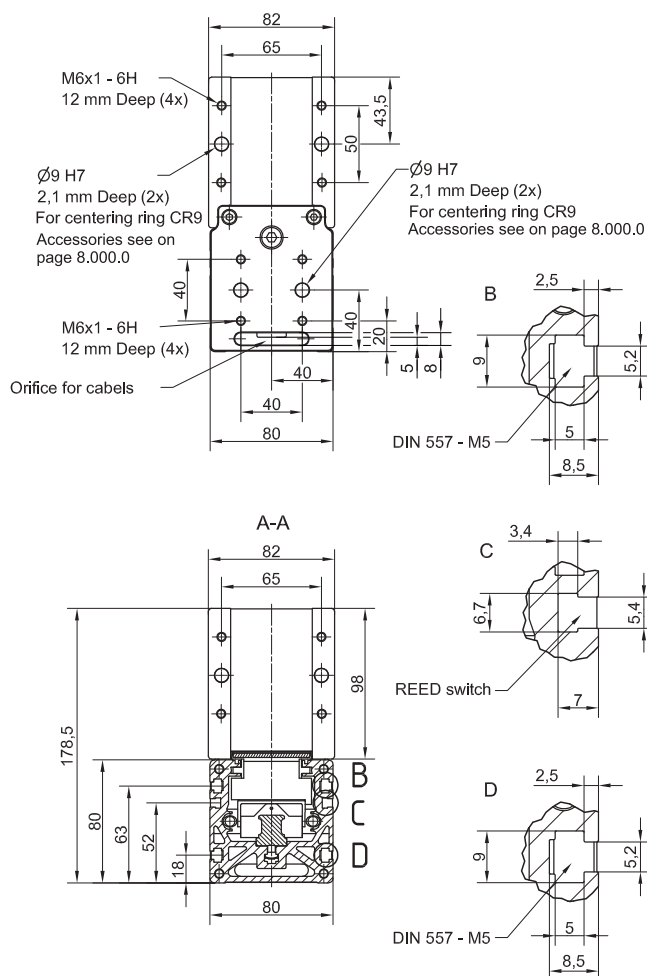


**TYPE 2**



**i** Journal with or without Keyway.  $\varnothing 50$  H7, 2 mm Deep

**i** Journal with or without Keyway.

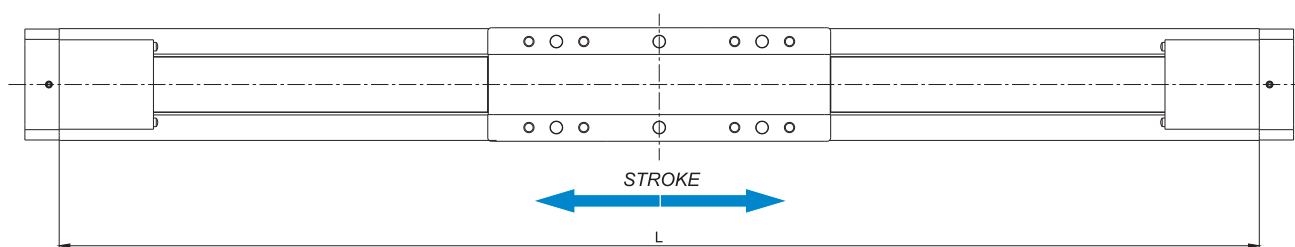


**i** All dimensions in mm; Drawings scales are not equal.

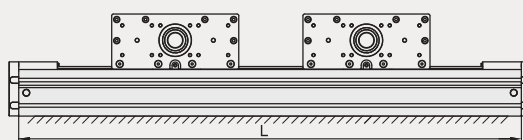
**Defining of the linear unit length**

**$L = \text{Effective stroke} + 2 \times \text{Safety stroke} + 382 \text{ mm}$**

**$L_{\text{total}} = L + 44 \text{ mm}$**



**Multi drive block**



**$L = \text{Effective stroke} + 2 \times \text{Safety stroke} + 250 \times n_b + 132 \text{ mm}$**

$n_b$  - number of drive blocks

**$L_{\text{total}} = L + 44 \text{ mm}$**

## TECHNICAL DATA

### General technical data

Linear Unit	Drive block length Lv [ mm ]	Dynamic load capacity C [ N ]	Dynamic moment			Mass of drive block [ kg ]	Maximum Repeatability [ mm ]	Max. length <sup>2</sup> (Version 1) Lmax [ mm ]	Max. length <sup>2</sup> (Version 2) Lmax [ mm ]	Max. Stroke		Min. Stroke [ mm ]
			Mx [ Nm ]	My [ Nm ]	Mz [ Nm ]					<sup>2</sup> (Ver. 1) [ mm ]	<sup>2</sup> (Ver. 2) [ mm ]	
MTJZ 110	300	49600	630	3470	3470	11,3	±0,08	1800	6000	1304	5504	65

<sup>1</sup> For minimum stroke below the stated value in the table above please contact us.

<sup>3</sup> For lengths / stroke over the stated value in the table above please contact us.  
Values for max. stroke are not valid for multi drive block  
(equation of defining the linear unit length for particular size of the linear unit needs to be used).

Linear Unit	Max. permissible loads				
	Forces		Moments		
	Fpy [ N ]	Fpz [ N ]	Mpx [ Nm ]	Mpy [ Nm ]	Mpz [ Nm ]
MTJZ 110	10000	14290	260	1000	700

### **i** Recommended values of loads

All the data of dynamic moments and load capacities stated in the upper table are theoretical without considering any safety factor. The safety factor depends on the application and its requested safety. We recommend a minimum safety factor (fs = 5.0)

**Modulus of elasticity:**  $E = 70000 \text{ N / mm}^2$

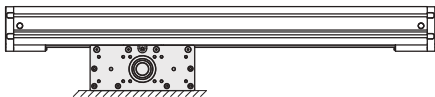
#### Operating conditions

Operating temp.	0°C ~ +60°C
Duty cycle	100%

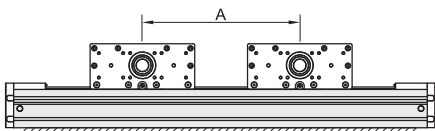
For operating temperature out of the presented range, please contact us.

### <sup>2</sup> Mounting versions

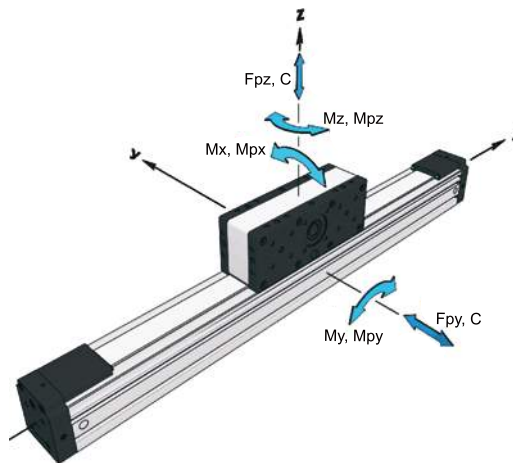
**Version 1:** Mounting by the drive block, profile travels



**Version 2:** Mounting by the profile, drive block travels



Multi drive blocks, which travel independently of each other, can be applied.  
For ordering code please contact us.



### Drive and belt data

Linear Unit	** Max. travel speed [ m / s ]	Max. drive torque [ Nm ]	* No load torque [ Nm ]	Puley drive ratio [ mm / rev ]	Pulley diameter [ mm ]	Belt type	Belt width [ mm ]	Max. force transmitted by belt [ N ]	Specific spring constant Cspec [ N ]	** Max. acceleration [ m/s <sup>2</sup> ]
MTJZ 110	5	110,0	2,6	300	95,49	AT10	70	2300	2450000	70

\* The stated values are for strokes up to 500mm. No Load Torque value increases with stroke elongation.

\*\* For travel speed and acceleration over the stated value in the table above or diagrams please contact us.

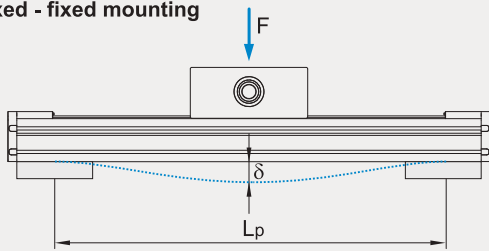
### Mass and mass moment of inertia

Linear Unit	Mass of linear unit	Mass moment of inertia of drive block	Planar moment of inertia	
	[ kg ]	[ 10 <sup>-4</sup> kg * m <sup>2</sup> ]	Iy [ cm <sup>4</sup> ]	Iz [ cm <sup>4</sup> ]
MTJZ 110	21,7 + 0,0147 * Stroke [ mm ]	273,0 + 0,3358 * Stroke [ mm ]	513,0	620,0

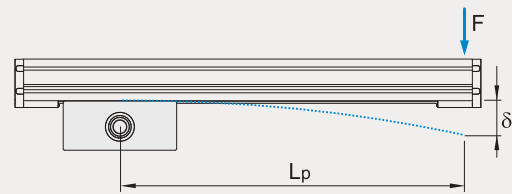
**i** Mass calculation doesn't include mass of motor, reduction gear, switches and clamps.

Deflection of the linear unit

Fixed - fixed mounting



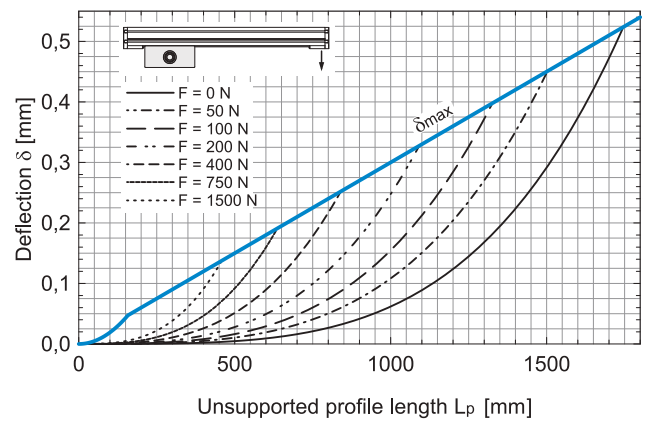
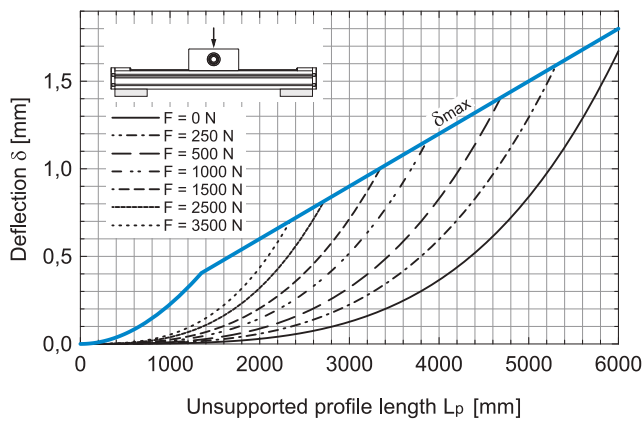
Fixed - free mounting



- $\delta$  Maximum deflection of the linear unit [mm]
- $\delta_{max}$  Maximum permissible deflection of the linear unit [mm]
- F Applied force [N]
- $L_p$  Unsupported profile length [mm]

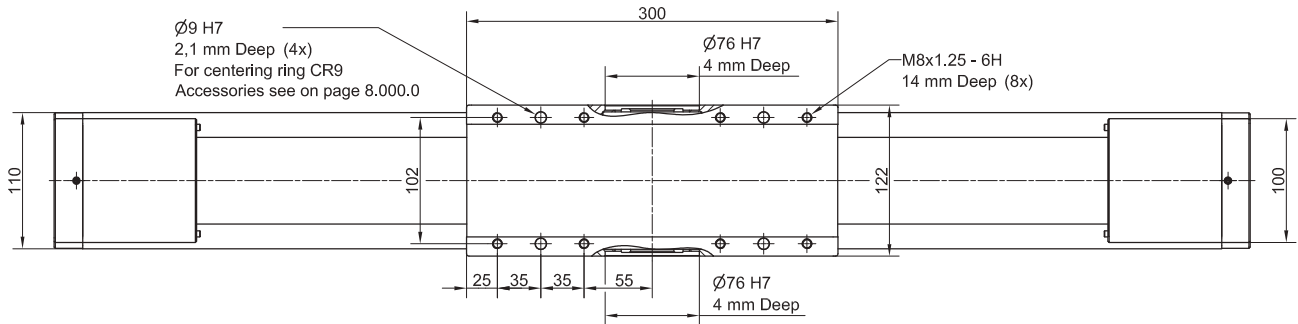
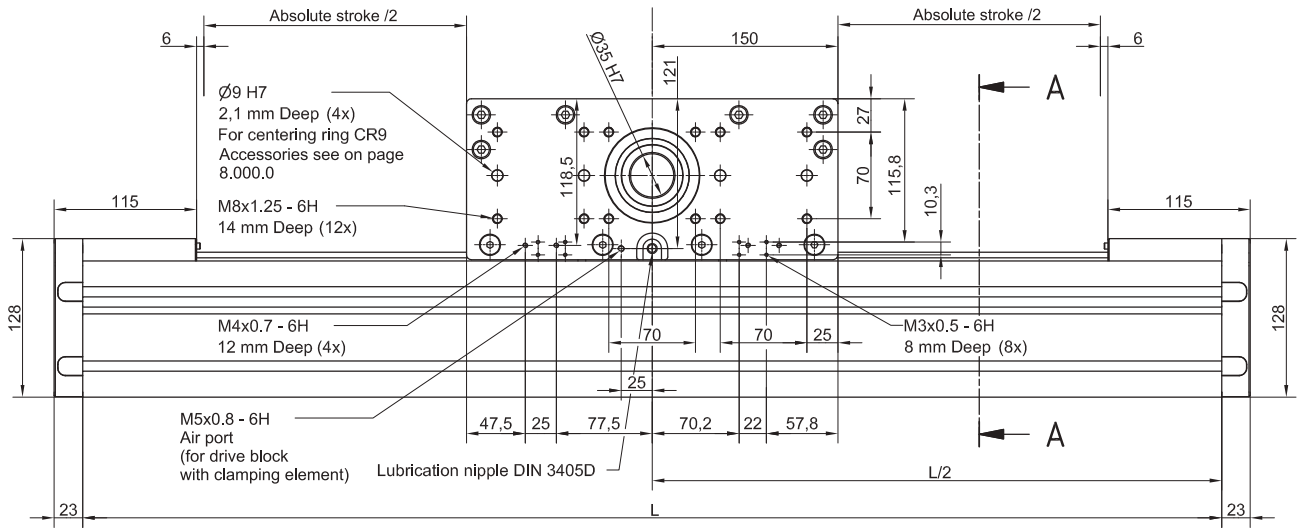
**i** The maximum permissible deflection  $\delta_{max}$  must not be exceeded. In the case that maximum deflection  $\delta$  exceeds the maximum permissible deflection  $\delta_{max}$  additional profile supports are needed.

MTJZ 110



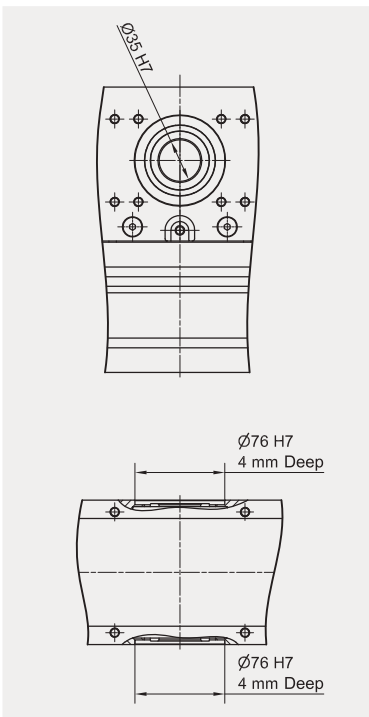
**DIMENSIONS**

**i** Linear Unit doesn't include any safety stroke.  
Absolute stroke = Effective stroke + 2 x Safety stroke



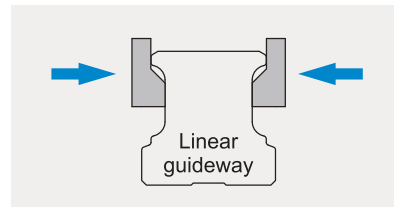
**i** All dimensions in mm; Drawings scales are not equal.

**TYPE 0**



**Drive block with clamping element**

**Clamping by spring-loaded energy**

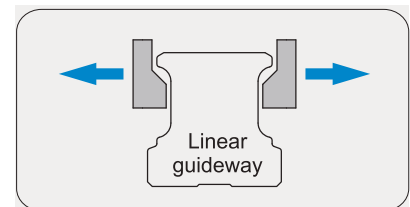


**Air pressure = 0 bar**

**Holding force = 1400 N**

Holding force is tested on clamping element using a slightly lubricated rail (ISO VG 68).

**Opened by air pressure**

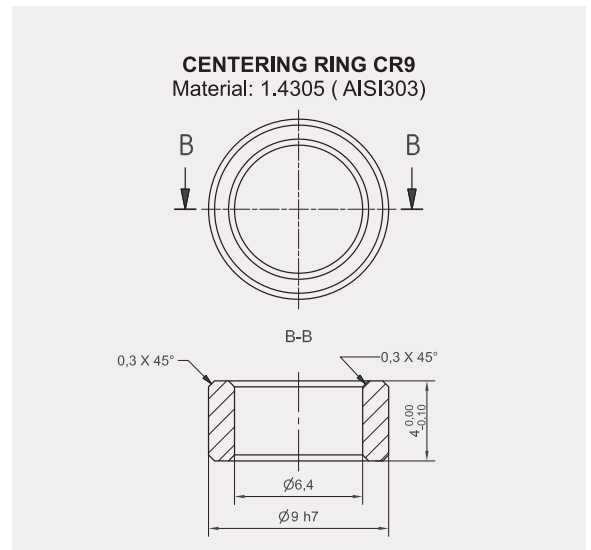
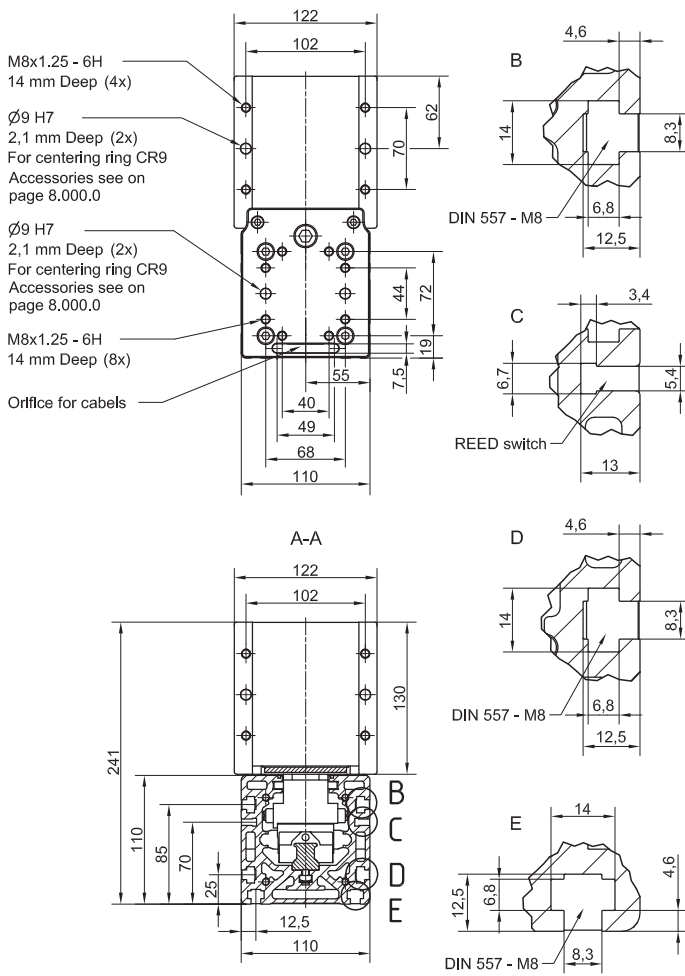


**Opening air pressure = 5,5 - 8 bar**

**i** The air pressure opens clamping pistons. Free movement is allowed.  
Purified and oiled air shall be used (according to ISO 8573-1 Class 4). Recommended filter size is 25  $\mu$ m.

Linear Unit	Mass of drive block [ kg ]	Mass of linear unit [ kg ]
MTJZ 110	12,9	23,3 + 0,0147 * Stroke [ mm ]



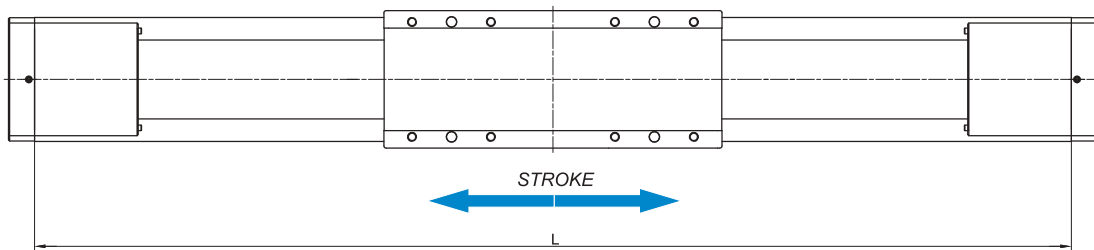


**i** All dimensions in mm; Drawings scales are not equal.

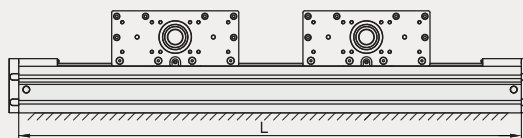
**Defining of the linear unit length**

$$L = \text{Effective stroke} + 2 \times \text{Safety stroke} + 496 \text{ mm}$$

$$L_{\text{total}} = L + 46 \text{ mm}$$



**Multi drive block**



$$L = \text{Effective stroke} + 2 \times \text{Safety stroke} + 300 \times n_b + 196 \text{ mm}$$

$n_b$  - number of drive blocks

$$L_{\text{total}} = L + 46 \text{ mm}$$



## CHARACTERISTICS

The **CTJ** series includes Linear Units with a toothed belt drive and two parallel, integrated, Zero-backlash rail guides. Compact dimensions allow high performance features such as, high speed and repeatability. They can easily be combined to multi-axis systems.

Excellent price-/performance ratio and quick delivery time are ensured.

A compact, precision-extruded aluminum Profile from AL 6063, with two parallel, integrated Zero-backlash rail guide systems, allows high load capacities and an optimal sequence for the movement of larger masses at high speed.

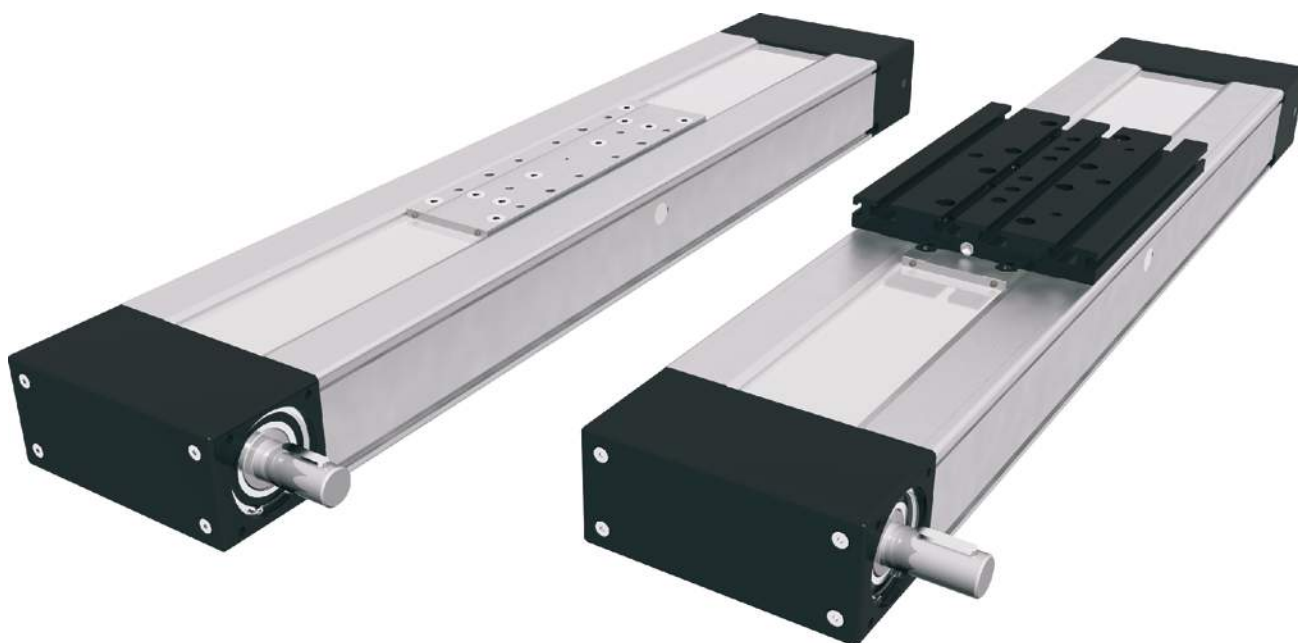
In the linear units CTJ is used a pre-tensioned steel reinforced AT polyurethane timing toothed belt. In conjunction with a Zero-backlash drive pulley high moments with alternating loads with good positioning accuracy, low wear and low noise can be realized.

The in the Profile slot driving Polyurethane timing belt, protects all the parts in the Profile from dust and other contaminations.

Different carriage lengths with lubrication port allows for easy re-lubrication of the Ball rail guide system and allows the possibility to attach additional accessories. The re-lubrication can also be done through maintenance holes on the side of the Profile.

The aluminum profile includes T-slots for fixing the Linear Unit and for attaching sensors and switches. Also, a Reed switch can be used here.

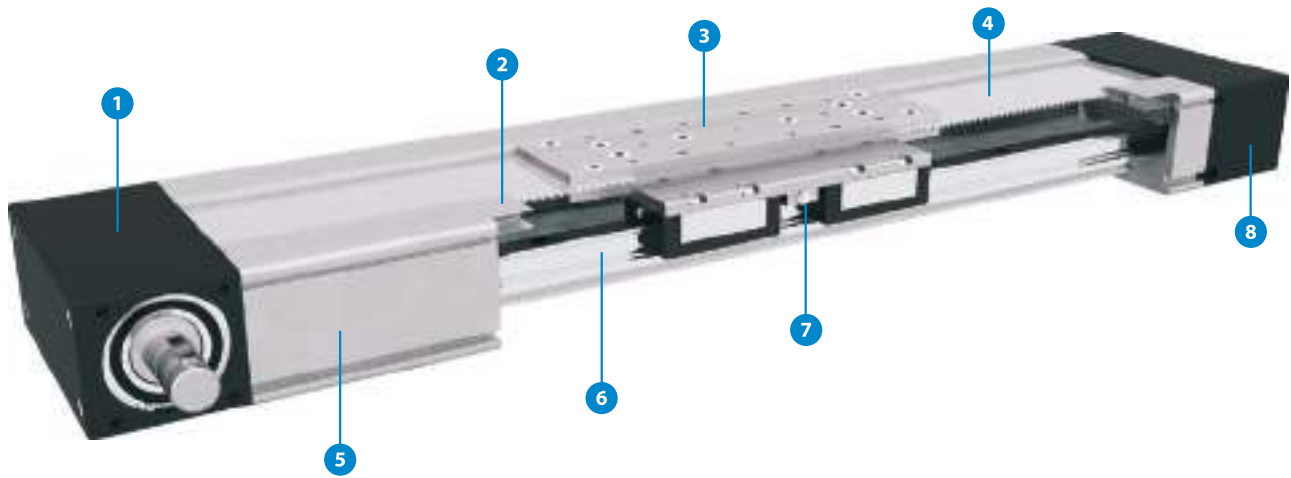
For the linear units CTJ various adaptation options, for attaching (or redirecting), for Motors or Gearboxes are available.



**i** The aluminium profiles are manufactured according to the medium EN 12020-2 standard

*Straightness = 0,35 mm/m; Max. torsion = 0,35 mm/m; Angular torsion = 0,2 mm/40 mm; Parallelism = 0,2 mm*

STRUCTURAL DESIGN



- 1 - Drive block with pulley
- 2 - Aluminum cover
- 3 - Carriage; with built in Magnets
- 4 - AT polyurethane toothed belt with steel tension cords
- 5 - Aluminium profile-Hard anodized
- 6 - Two integrated Linear Ball Guideways
- 7 - Central lubrication port; both sides
- 8 - Tension End with integrated belt tensioning system

**CTJ** - **145** - **1000** - **L** - **1** - **R** - **1**

Series : \_\_\_\_\_

CTJ

Size : \_\_\_\_\_

90

110

145

200

Absolute stroke (mm) : \_\_\_\_\_

(Absolute stroke = Effective stroke + 2 x Safety stroke)

Carriage Version : \_\_\_\_\_

S : Short

L : Long

Type of drive pulley : \_\_\_\_\_

1 : Pulley with journal

10 : Pulley with journal (without Keyway)

2 : Pulley with journal on both sides

20 : Pulley with journal on both sides (without Keyway)

3 : Without drive unit

**i** By CTJ 200 with drive pulley 2 or 20, the drive journal position left - **L** or right - **R** side must be also specified - motor/gearbox attachment side.

Drive journal position : \_\_\_\_\_

L : Journal on left side

R : Journal on right side

Leave blank : For type of drive pulley 3

Connection plate : \_\_\_\_\_

0: Without

1: With

**TECHNICAL DATA**

**General technical data**

Linear Unit	Carriage length Lv [ mm ]	Dynamic load capacity C [ N ]	Dynamic moment			Max. permissible loads					Moved mass [ kg ]	Max. Repeatability [ mm ]	* Max. length Lmax [ mm ]	* Max. stroke [ mm ]	** Min. stroke [ mm ]	
			Mx [ Nm ]	My [ Nm ]	Mz [ Nm ]	Forces		Moments								
						Fpy [ N ]	Fpz [ N ]	Mpx [ Nm ]	Mpy [ Nm ]	Mpz [ Nm ]						
CTJ 90 S	102	4620	125	17	34	2000	4000	110	17	34	0,20	± 0,08	6000	5873	25	
CTJ 90 L	156	9240	250	290	290	3990	8270	200	290	125	0,35	± 0,08		5819	25	

\* For lengths / stroke over the stated value in the table above please contact us.  
 Values for max. stroke are not valid for double carriage  
 (equation of defining the linear unit length for particular size of the linear unit needs to be used).  
 \*\* For minimum stroke below the stated value in the table above please contact us.

Operating conditions	
Operating temp.	0°C ~ +60°C
Duty cycle	100%

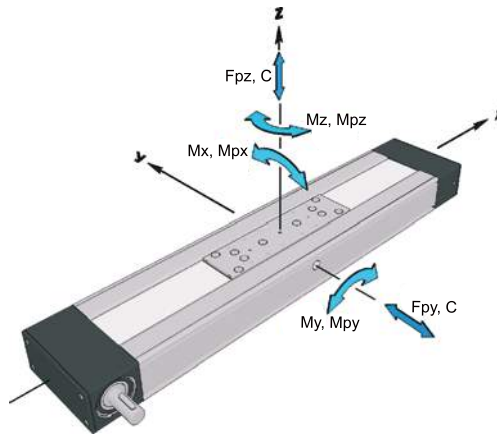
For operating temperature out of the presented range, please contact us.

**Recommended values of loads**

All the data of dynamic moments and load capacities stated in the upper table are theoretical without considering any safety factor. The safety factor depends on the application and its requested safety. We recommend a minimum safety factor (fs = 5.0)

**Modulus of elasticity**

$E = 70000 \text{ N} / \text{mm}^2$

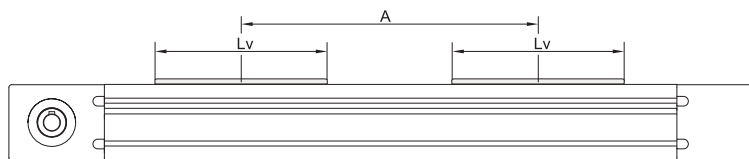


**General technical data for double carriage**

Linear Unit	Carriage version	Dynamic load capacity C [ N ]	Dynamic moment			Max. permissible loads				
			Mx [ Nm ]	My [ Nm ]	Mz [ Nm ]	Forces		Moments		
						Fpy [ N ]	Fpz [ N ]	Mpx [ Nm ]	Mpy [ Nm ]	Mpz [ Nm ]
CTJ 90	S2	9230	250	4,6 * A [mm]	4,6 * A [mm]	4000	8000	220	4,0 * A [mm]	2,0 * A [mm]

\* A - Distance between carriages. More info on following pages.

Presented values are for informational purposes only. Exact values can be calculated using our sizing selection tool on Unimotion web site.  
 For greater number of carriages please contact us.



**Drive and belt data**

Linear Unit	** Max. travel speed [ m / s ]	Max. drive torque [ Nm ]	* No load torque [ Nm ]	Pulley drive ratio [ mm / rev ]	Pulley diameter [ mm ]	Belt type	Belt width [ mm ]	Max. force transmitted by belt [ N ]	Specific spring constant Cspec [ N ]	** Max. acceleration [ m/s <sup>2</sup> ]
CTJ 90 S	5	7,5	0,40	90	28,65	AT 3	35	520	402500	70
CTJ 90 L			0,42							

\* The stated values are for strokes up to 500mm. No Load Torque value increases with stroke elongation.

\*\* For travel speed and acceleration over the stated value in the table above or diagrams please contact us.

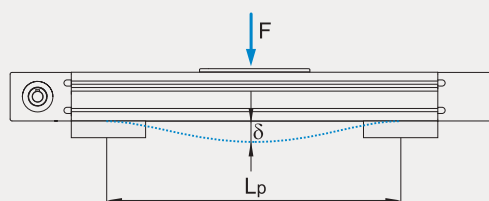
Mass and mass moment of inertia

Linear Unit	Carriage length	Mass of linear unit [ kg ]	Mass moment of inertia [ $10^{-5} \text{ kg} \cdot \text{m}^2$ ]	Planar moment of inertia	
	Lv [ mm ]			ly [ $\text{cm}^4$ ]	lz [ $\text{cm}^4$ ]
CTJ 90 S	102	$1,7 + 0,0048 \cdot \text{Stroke [ mm ]}$	$7 + 0,0031 \cdot \text{Stroke [ mm ]}$	13,4	107,0
CTJ 90 L	156	$2,1 + 0,0048 \cdot \text{Stroke [ mm ]}$	$11 + 0,0031 \cdot \text{Stroke [ mm ]}$		

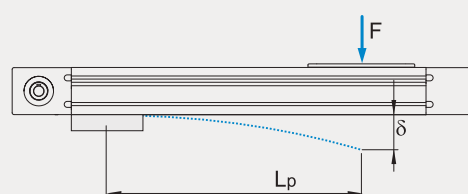
**i** Mass calculation doesn't include mass of motor, reduction gear, switches and clamps.

Deflection of the linear unit

Fixed - fixed mounting



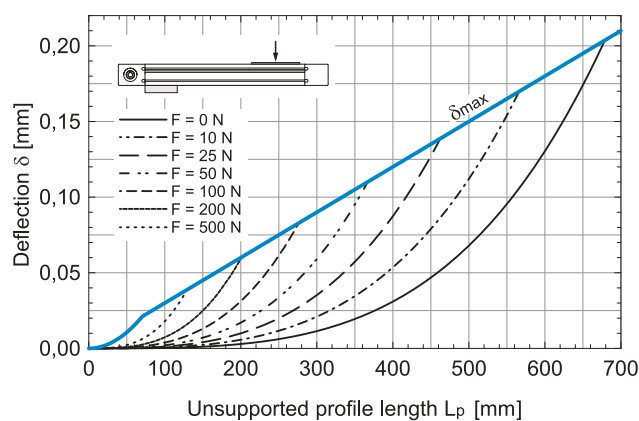
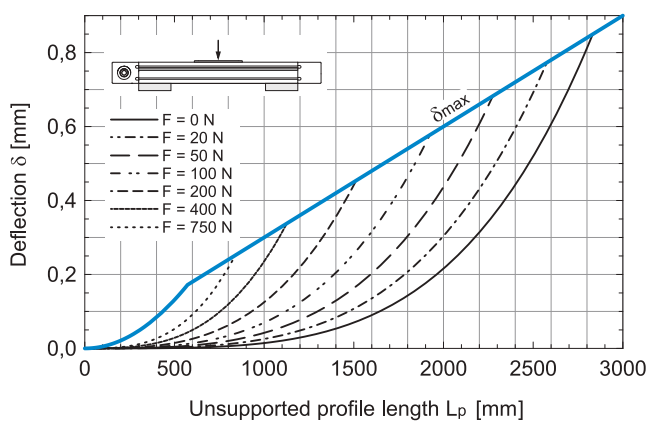
Fixed - free mounting



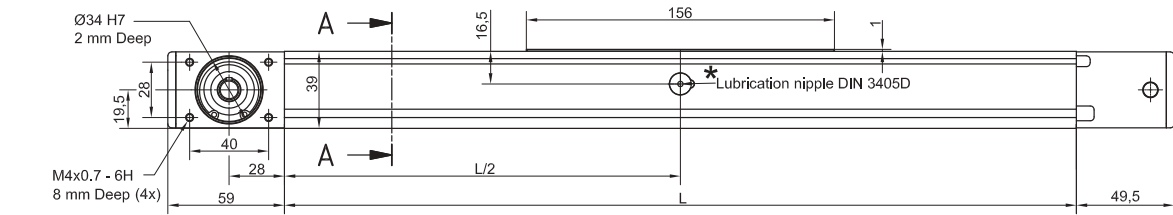
- $\delta$  Maximum deflection of the linear unit [mm]
- $\delta_{max}$  Maximum permissible deflection of the linear unit [mm]
- F Applied force [N]
- $L_p$  Unsupported profile length [mm]

**i** The maximum permissible deflection  $\delta_{max}$  must not be exceeded. In the case that maximum deflection  $\delta$  exceeds the maximum permissible deflection  $\delta_{max}$  additional profile supports are needed.

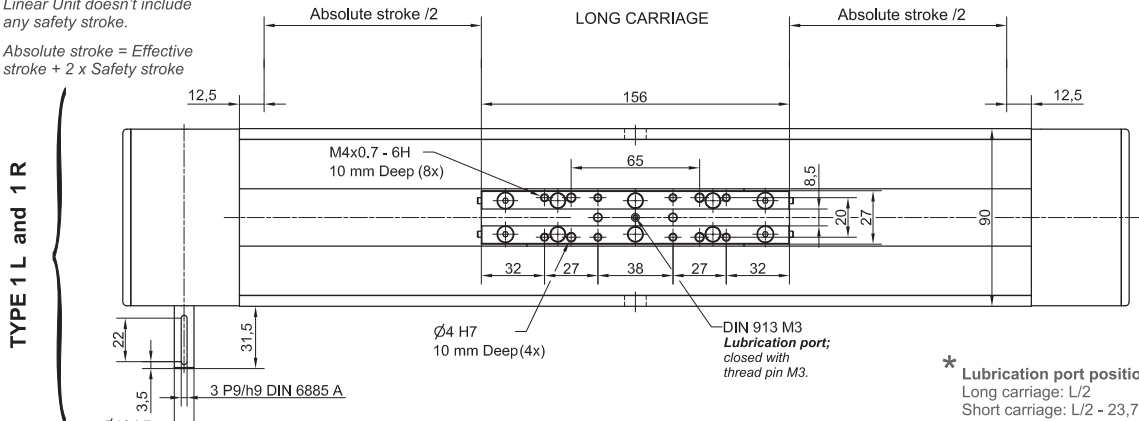
CTJ 90



**DIMENSIONS**

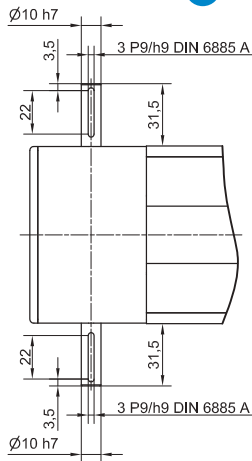


**i** Linear Unit doesn't include any safety stroke.  
Absolute stroke = Effective stroke + 2 x Safety stroke

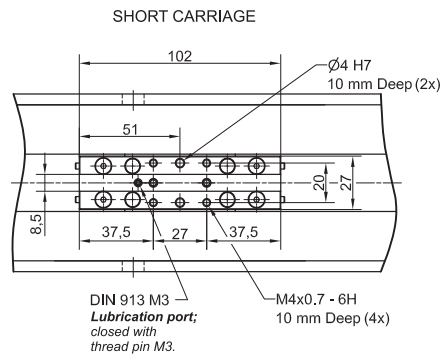


**TYPE 1 L and 1 R**

**i** Journal with or without Keyway.



**TYPE 2**

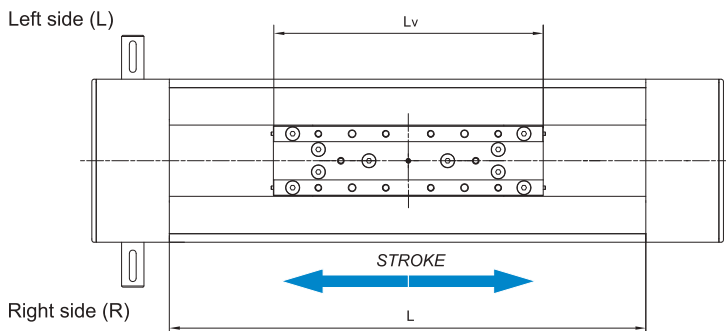


**i** All dimensions in mm; Drawings scales are not equal.

**Defining of the linear unit length**

**L = Effective stroke + 2 × Safety stroke + Lv + 25 mm**

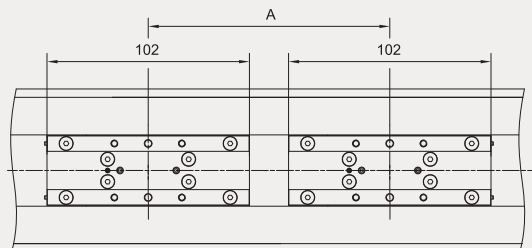
**Ltotal = L + 108,5 mm**



**Lv - Long carriage = 156 mm**  
**Lv - Short carriage = 102 mm**

**Double-Carriage**

**i** Only with *short carriage* version.

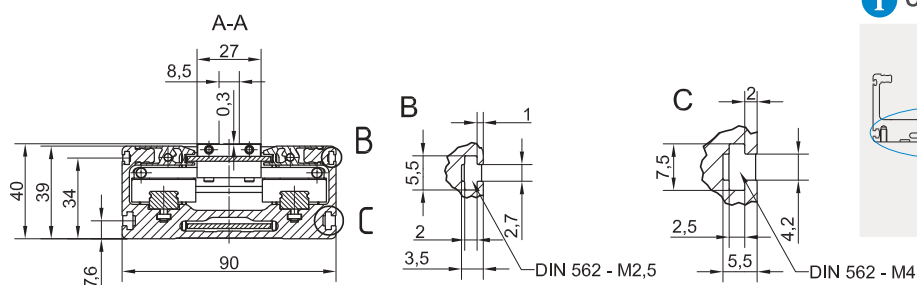


**i** For ordering code please contact us.

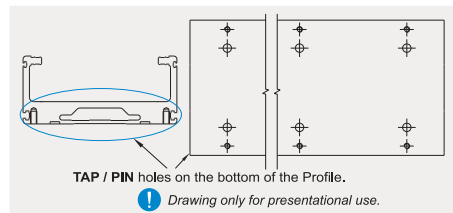
**L = Effective stroke + 2 × Safety stroke + A + 127 mm**  
**Ltotal = L + 108,5 mm** } **A ≥ 102 mm** **!**



**DIMENSIONS**



**i** OPTIONAL: TAP / PIN holes available on request.

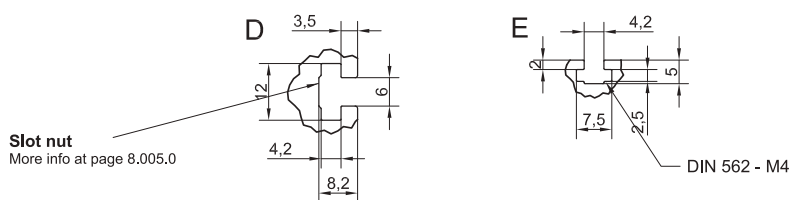
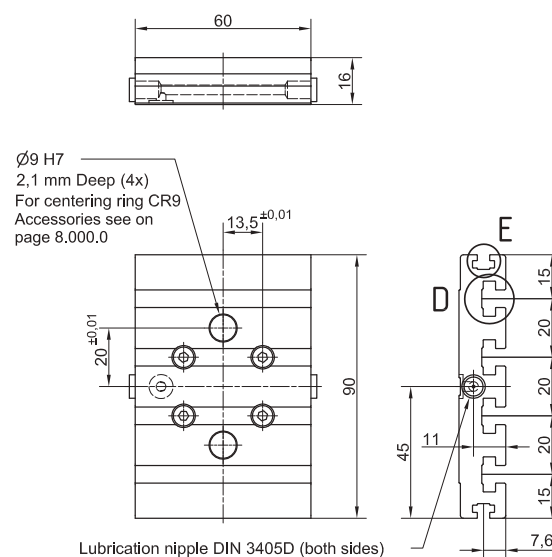
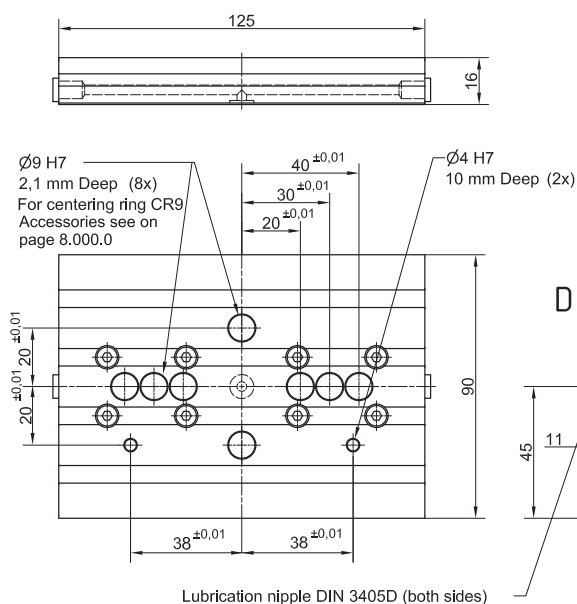


**i** All dimensions in mm; Drawings scales are not equal.

**CONNECTION PLATE**

**CTJ 90 L**

**CTJ 90 S**



Linear Unit	Plate length [ mm ]	Weight [ kg ]	Code
CTJ 90 S	60	0,2	48853
CTJ 90 L	125	0,4	48854

**i** Mounting elements for mounting the connection plate on the Linear unit are included.

**Mounting the drive**

- by the **MOTOR ADAPTER WITH COUPLING** (Page 8.020.0)

**i** Available on request.



**TECHNICAL DATA**

**General technical data**

Linear Unit	Carriage length L <sub>v</sub> [ mm ]	Dynamic load capacity C [ N ]	Dynamic moment			Max. permissible loads					Moved mass [ kg ]	Max. Repeatability [ mm ]	* Max. length L <sub>max</sub> [ mm ]	* Max. stroke [ mm ]	** Min. stroke [ mm ]	
			M <sub>x</sub> [ Nm ]	M <sub>y</sub> [ Nm ]	M <sub>z</sub> [ Nm ]	Forces		Moments								
						F <sub>py</sub> [ N ]	F <sub>pz</sub> [ N ]	M <sub>px</sub> [ Nm ]	M <sub>py</sub> [ Nm ]	M <sub>pz</sub> [ Nm ]						
CTJ 110 S	170	19800	610	118	235	6470	8390	260	90	90	0,64	± 0,08	6000	5805	40	
CTJ 110 L	215	39600	1225	1680	1680	13080	18820	525	880	550	0,98	± 0,08		5760	40	

\* For lengths / stroke over the stated value in the table above please contact us.  
 Values for max. stroke are not valid for double carriage  
 (equation of defining the linear unit length for particular size of the linear unit needs to be used).  
 \*\* For minimum stroke below the stated value in the table above please contact us.

Operating conditions	
Operating temp.	0°C ~ +60°C
Duty cycle	100%

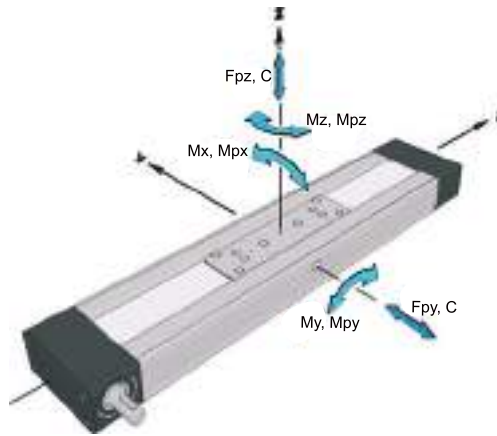
For operating temperature out of the presented range, please contact us.

**Recommended values of loads**

All the data of dynamic moments and load capacities stated in the upper table are theoretical without considering any safety factor. The safety factor depends on the application and its requested safety. We recommend a minimum safety factor (fs = 5.0)

**Modulus of elasticity**

$E = 70000 \text{ N} / \text{mm}^2$

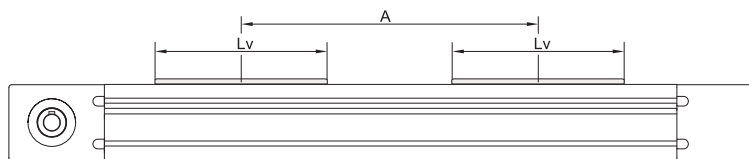


**General technical data for double carriage**

Linear Unit	Carriage version	Dynamic load capacity C [ N ]	Dynamic moment			Max. permissible loads				
			M <sub>x</sub> [ Nm ]	M <sub>y</sub> [ Nm ]	M <sub>z</sub> [ Nm ]	Forces		Moments		
						F <sub>py</sub> [ N ]	F <sub>pz</sub> [ N ]	M <sub>px</sub> [ Nm ]	M <sub>py</sub> [ Nm ]	M <sub>pz</sub> [ Nm ]
CTJ 110	S2	39600	1220	19,8 * A [mm]	19,8 * A [mm]	12940	16770	520	8,4 * A [mm]	6,5 * A [mm]

\* A - Distance between carriages. More info on following pages.

Presented values are for informational purposes only. Exact values can be calculated using our sizing selection tool on Unimotion web site.  
 For greater number of carriages please contact us.



**Drive and belt data**

Linear Unit	* Max. travel speed [ m / s ]	Max. drive torque [ Nm ]	* No load torque [ Nm ]	Pulley drive ratio [ mm / rev ]	Pulley diameter [ mm ]	Belt type	Belt width [ mm ]	Max. force transmitted by belt [ N ]	Specific spring constant C <sub>spec</sub> [ N ]	** Max. acceleration [ m/s <sup>2</sup> ]
CTJ 110 S	6	15,7	0,98	120	38,20	AT 5	50	820	960000	70
CTJ 110 L			1,0							

\* The stated values are for strokes up to 500mm. No Load Torque value increases with stroke elongation.  
 \*\* For travel speed and acceleration over the stated value in the table above or diagrams please contact us.

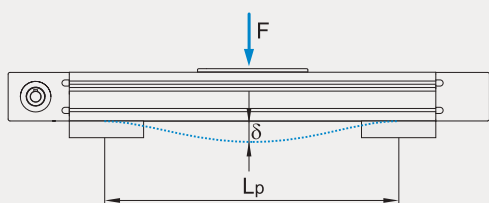
Mass and mass moment of inertia

Linear Unit	Carriage length	Mass of linear unit [ kg ]	Mass moment of inertia [ $10^{-5} \text{ kg} \cdot \text{m}^2$ ]	Planar moment of inertia	
	$L_v$ [ mm ]			$I_y$ [ $\text{cm}^4$ ]	$I_z$ [ $\text{cm}^4$ ]
CTJ 110 S	170	$3,6 + 0,0072 \cdot \text{Stroke [ mm ]}$	$36 + 0,0125 \cdot \text{Stroke [ mm ]}$	31,1	217,2
CTJ 110 L	215	$4,2 + 0,0072 \cdot \text{Stroke [ mm ]}$	$49 + 0,0125 \cdot \text{Stroke [ mm ]}$		

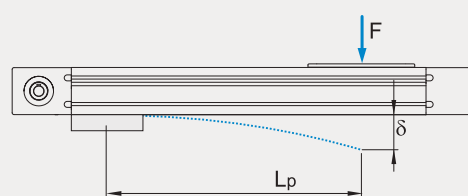
**i** Mass calculation doesn't include mass of motor, reduction gear, switches and clamps.

Deflection of the linear unit

Fixed - fixed mounting



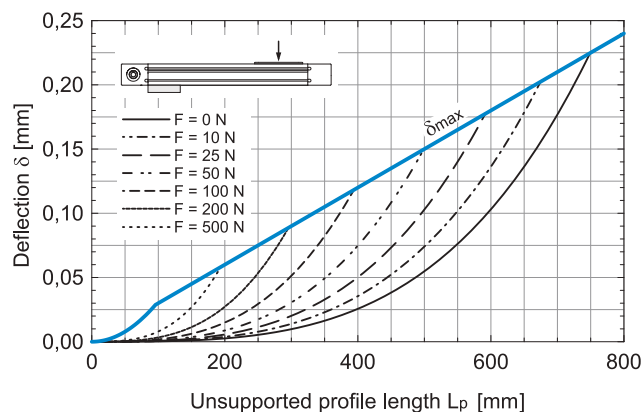
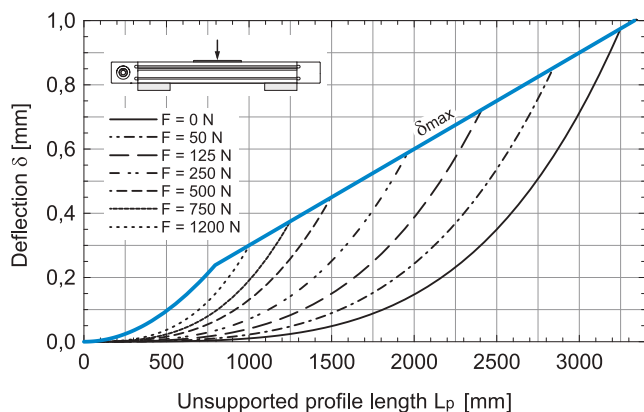
Fixed - free mounting



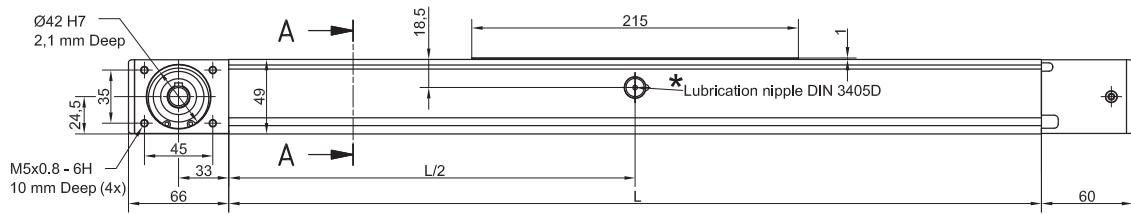
- $\delta$  Maximum deflection of the linear unit [mm]
- $\delta_{max}$  Maximum permissible deflection of the linear unit [mm]
- F Applied force [N]
- $L_p$  Unsupported profile length [mm]

**i** The maximum permissible deflection  $\delta_{max}$  must not be exceeded. In the case that maximum deflection  $\delta$  exceeds the maximum permissible deflection  $\delta_{max}$  additional profile supports are needed.

CTJ 110



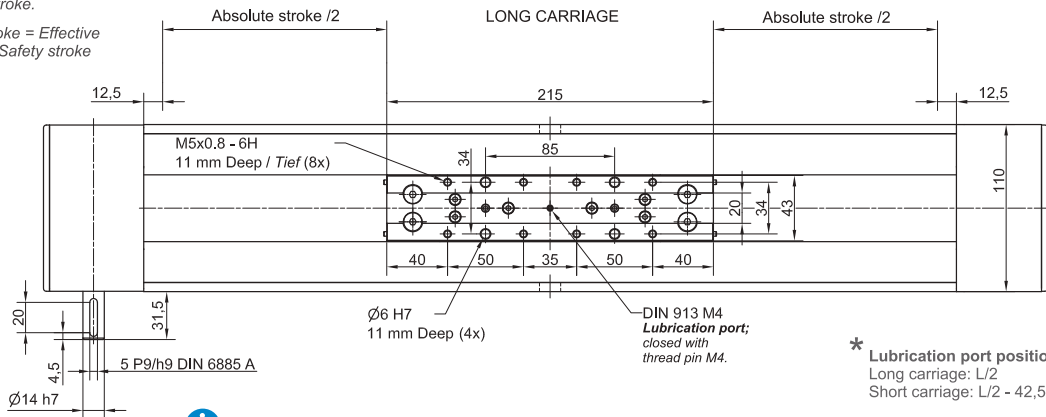
**DIMENSIONS**



**i** Linear Unit doesn't include any safety stroke.

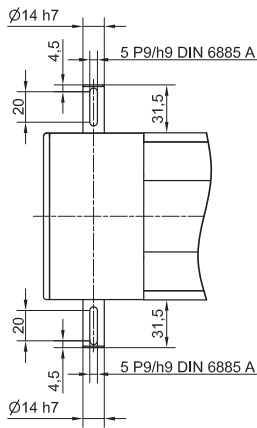
Absolute stroke = Effective stroke + 2 x Safety stroke

**TYPE 1 L and 1 R**

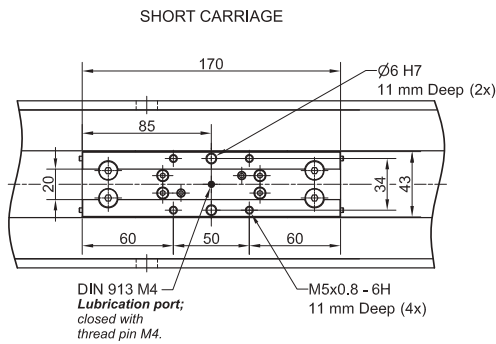


\* Lubrication port position:  
Long carriage: L/2  
Short carriage: L/2 - 42,5 mm

**i** Journal with or without Keyway.



**TYPE 2**

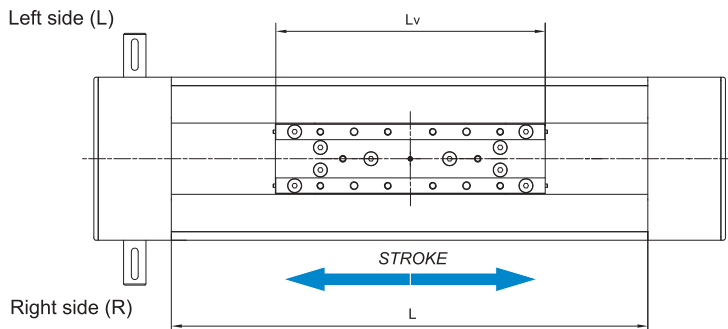


**i** All dimensions in mm; Drawings scales are not equal.

**Defining of the linear unit length**

$L = \text{Effective stroke} + 2 \times \text{Safety stroke} + L_v + 25 \text{ mm}$

$L_{\text{total}} = L + 126 \text{ mm}$



$L_v$  - Long carriage = 215 mm  
 $L_v$  - Short carriage = 170 mm

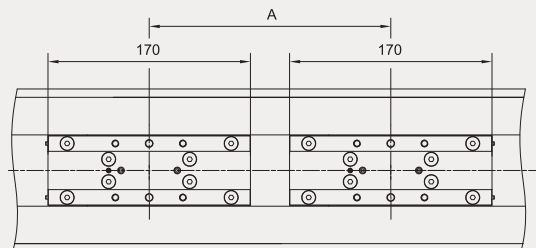
$L = \text{Effective stroke} + 2 \times \text{Safety stroke} + A + 195 \text{ mm}$   
 $L_{\text{total}} = L + 126 \text{ mm}$

$A \geq 170 \text{ mm}$



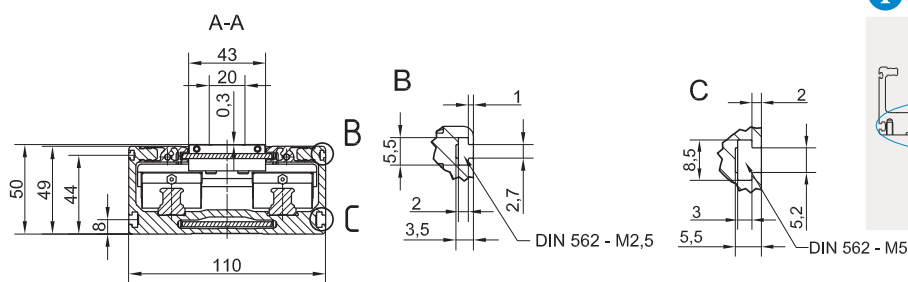
**Double-Carriage**

**i** Only with *short carriage* version.

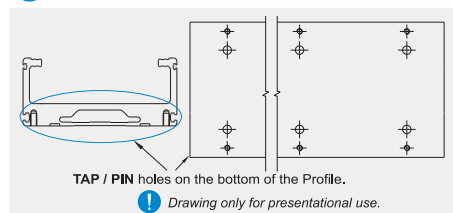


**i** For ordering code please contact us.

**DIMENSIONS**



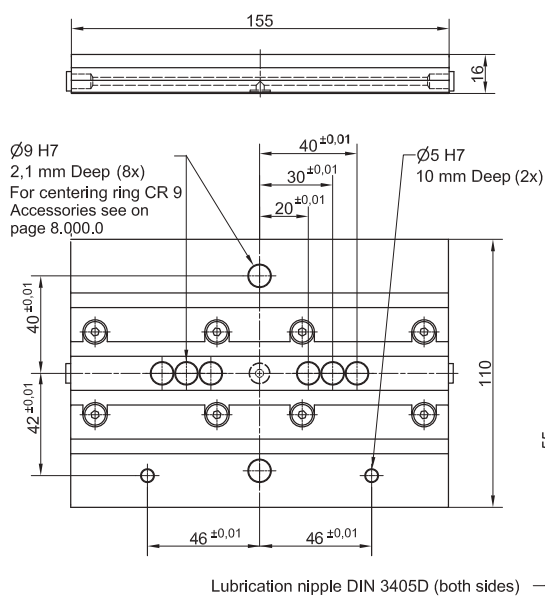
**i** OPTIONAL: TAP / PIN holes available on request.



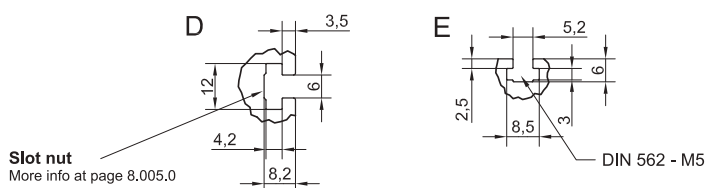
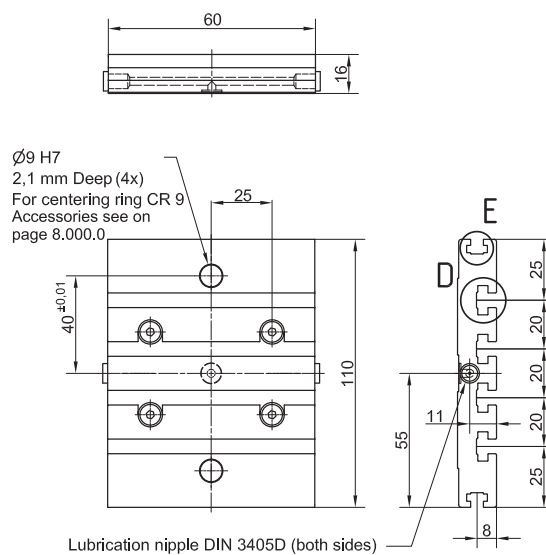
**i** All dimensions in mm; Drawings scales are not equal.

**CONNECTION PLATE**

**CTJ 110 L**



**CTJ 110 S**



Linear Unit	Plate length [ mm ]	Weight [ kg ]	Code
CTJ 110 S	60	0,35	48525
CTJ 110 L	155	0,60	48480

**i** Mounting elements for mounting the connection plate on the Linear unit are included.

**Mounting the drive**

- by the **MOTOR ADAPTER WITH COUPLING** (Page 8.020.0)

**i** Available on request.



**TECHNICAL DATA**

**General technical data**

Linear Unit	Carriage length L <sub>v</sub> [ mm ]	Dynamic load capacity C [ N ]	Dynamic moment			Max. permissible loads					Moved mass [ kg ]	Max. Repeatability [ mm ]	* Max. length L <sub>max</sub> [ mm ]	* Max. stroke [ mm ]	** Min. stroke [ mm ]	
			M <sub>x</sub> [ Nm ]	M <sub>y</sub> [ Nm ]	M <sub>z</sub> [ Nm ]	Forces		Moments								
						F <sub>py</sub> [ N ]	F <sub>pz</sub> [ N ]	M <sub>px</sub> [ Nm ]	M <sub>py</sub> [ Nm ]	M <sub>pz</sub> [ Nm ]						
CTJ 145 S	180	34200	1500	260	520	8930	15320	674	260	180	1,35	± 0,08	6000	5795	55	
CTJ 145 L	240	68400	3005	3420	3420	17870	30640	1200	1700	893	2,25	± 0,08		5735	55	

\* For lengths / stroke over the stated value in the table above please contact us.  
 Values for max. stroke are not valid for double carriage  
 (equation of defining the linear unit length for particular size of the linear unit needs to be used).  
 \*\* For minimum stroke below the stated value in the table above please contact us.

Operating conditions	
Operating temp.	0°C ~ +60°C
Duty cycle	100%

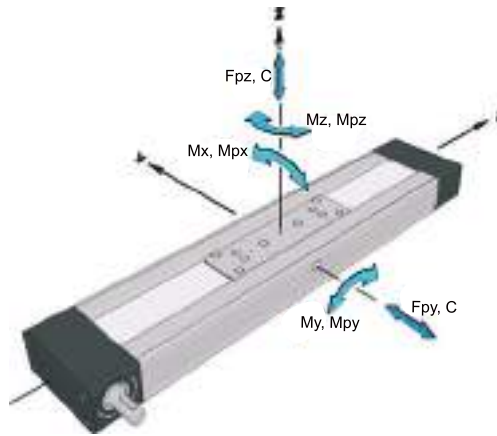
For operating temperature out of the presented range, please contact us.

**Recommended values of loads**

All the data of dynamic moments and load capacities stated in the upper table are theoretical without considering any safety factor. The safety factor depends on the application and its requested safety. We recommend a minimum safety factor (fs = 5.0)

**Modulus of elasticity**

$E = 70000 \text{ N} / \text{mm}^2$

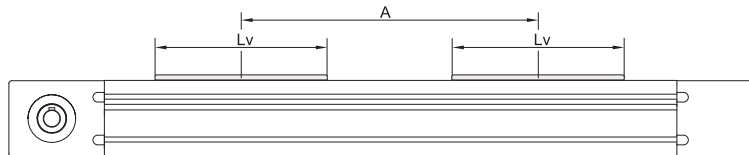


**General technical data for double carriage**

Linear Unit	Carriage version	Dynamic load capacity C [ N ]	Dynamic moment			Max. permissible loads				
			M <sub>x</sub> [ Nm ]	M <sub>y</sub> [ Nm ]	M <sub>z</sub> [ Nm ]	Forces		Moments		
						F <sub>py</sub> [ N ]	F <sub>pz</sub> [ N ]	M <sub>px</sub> [ Nm ]	M <sub>py</sub> [ Nm ]	M <sub>pz</sub> [ Nm ]
CTJ 145	S2	68400	3000	34,2 * A [mm]	34,2 * A [mm]	17870	30640	1350	15,3 * A [mm]	8,9 * A [mm]

\* A - Distance between carriages. More info on following pages.

Presented values are for informational purposes only. Exact values can be calculated using our sizing selection tool on Unimotion web site.  
 For greater number of carriages please contact us.



**Drive and belt data**

Linear Unit	* Max. travel speed [ m / s ]	Max. drive torque [ Nm ]	* No load torque [ Nm ]	Pulley drive ratio [ mm / rev ]	Pulley diameter [ mm ]	Belt type	Belt width [ mm ]	Max. force transmitted by belt [ N ]	Specific spring constant C <sub>spec</sub> [ N ]	** Max. acceleration [ m/s <sup>2</sup> ]
CTJ 145 S	6	33,6	1,48	165	52,52	AT 5	70	1280	1360000	70
CTJ 145 L			1,5							

\* The stated values are for strokes up to 500mm. No Load Torque value increases with stroke elongation.  
 \*\* For travel speed and acceleration over the stated value in the table above or diagrams please contact us.

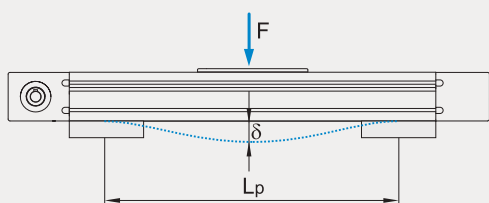
Mass and mass moment of inertia

Linear Unit	Carriage length	Mass of linear unit [ kg ]	Mass moment of inertia [ 10 <sup>-5</sup> kg * m <sup>2</sup> ]	Planar moment of inertia	
	Lv [ mm ]			Iy [ cm <sup>4</sup> ]	Iz [ cm <sup>4</sup> ]
CTJ 145 S	180	7,2 + 0,0127 * Stroke [ mm ]	145 + 0,0330 * Stroke [ mm ]	78,9	707,6
CTJ 145 L	240	8,8 + 0,0127 * Stroke [ mm ]	208 + 0,0330 * Stroke [ mm ]		

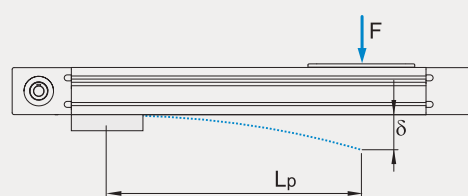
**i** Mass calculation doesn't include mass of motor, reduction gear, switches and clamps.

Deflection of the linear unit

Fixed - fixed mounting



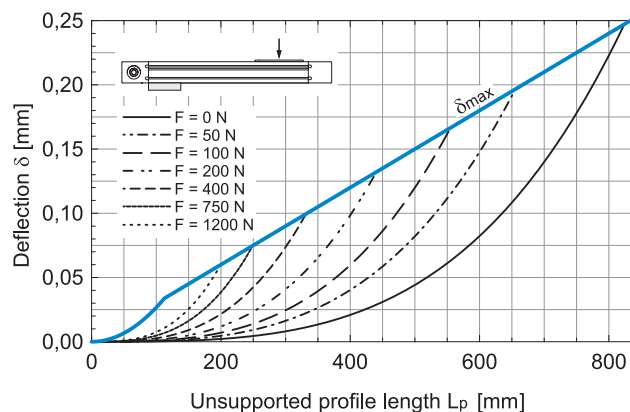
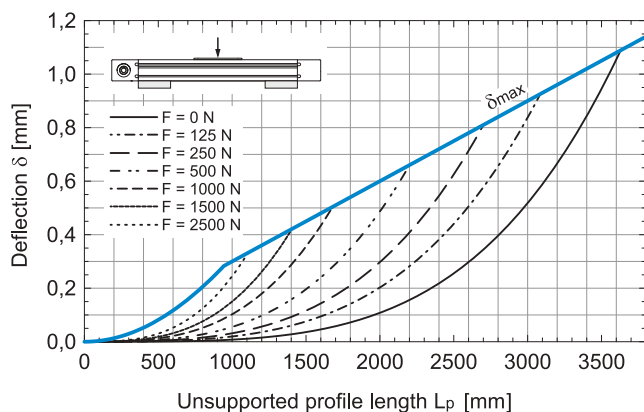
Fixed - free mounting



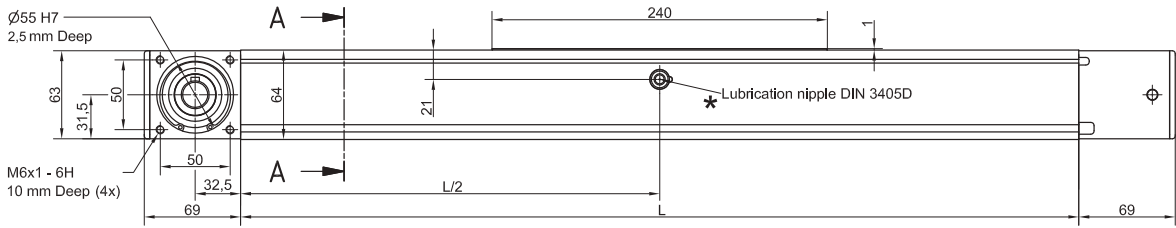
- δ Maximum deflection of the linear unit [mm]
- δ<sub>max</sub> Maximum permissible deflection of the linear unit [mm]
- F Applied force [N]
- L<sub>p</sub> Unsupported profile length [mm]

**i** The maximum permissible deflection δ<sub>max</sub> must not be exceeded. In the case that maximum deflection δ exceeds the maximum permissible deflection δ<sub>max</sub> additional profile supports are needed.

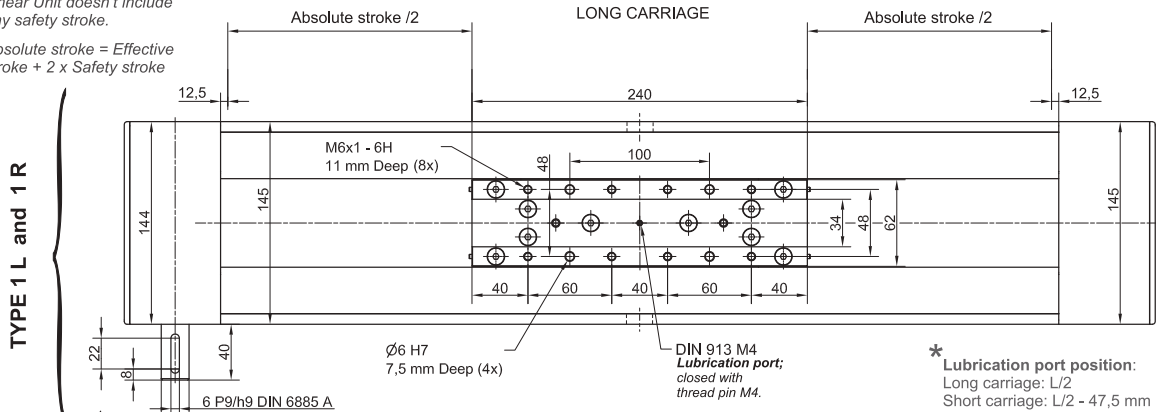
CTJ 145



**DIMENSIONS**

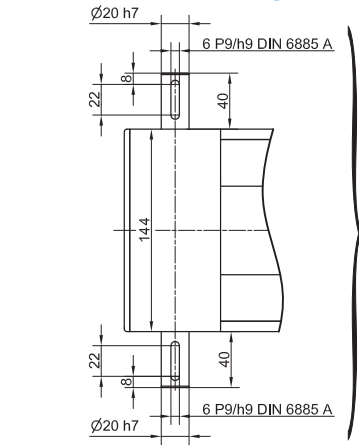


**i** Linear Unit doesn't include any safety stroke.  
Absolute stroke = Effective stroke + 2 x Safety stroke

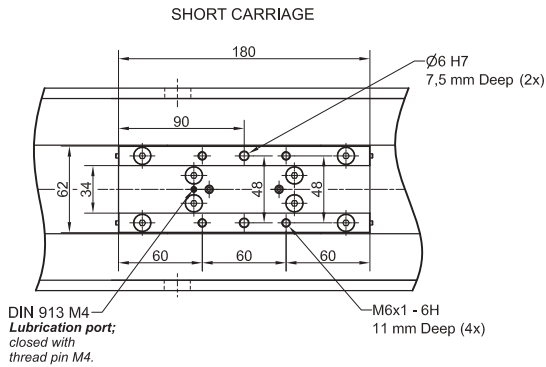


\* Lubrication port position:  
Long carriage: L/2  
Short carriage: L/2 - 47,5 mm

**i** Journal with or without Keyway.



**TYPE 2**

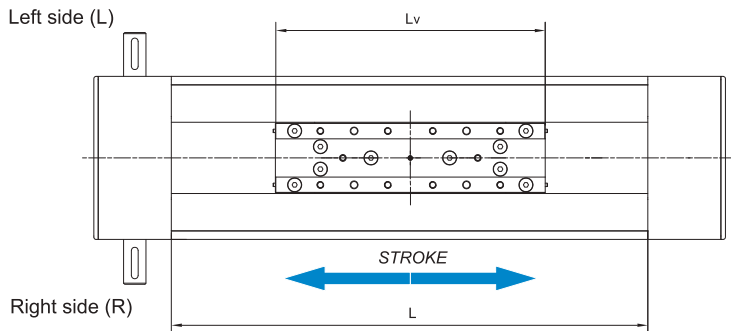


**i** All dimensions in mm; Drawings scales are not equal.

**Defining of the linear unit length**

**L = Effective stroke + 2 × Safety stroke + Lv + 25 mm**

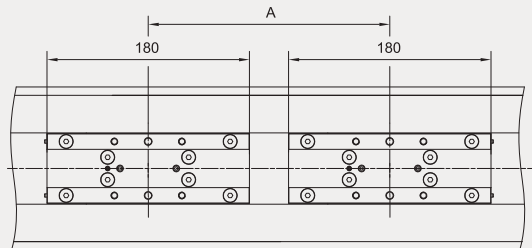
**Ltotal = L + 138 mm**



Lv - Long carriage = 240 mm  
Lv - Short carriage = 180 mm

**Double-Carriage**

**i** Only with short carriage version.

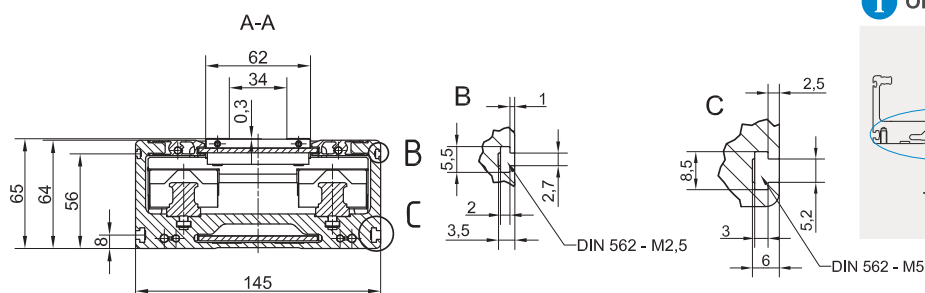


**i** For ordering code please contact us.

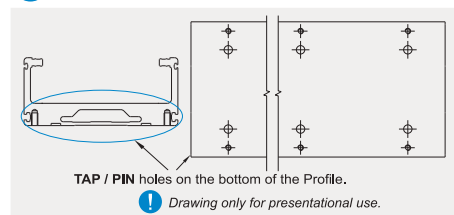
**L = Effective stroke + 2 × Safety stroke + A + 205 mm**  
**Ltotal = L + 138 mm** } **A ≥ 180 mm** **!**



**DIMENSIONS**



**i** OPTIONAL: TAP / PIN holes available on request.

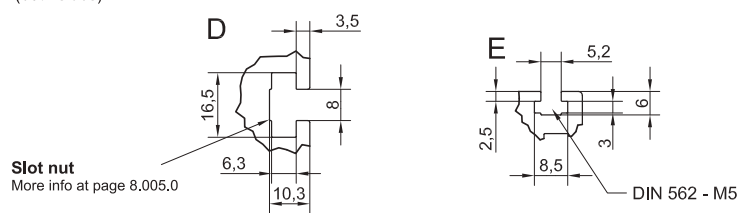
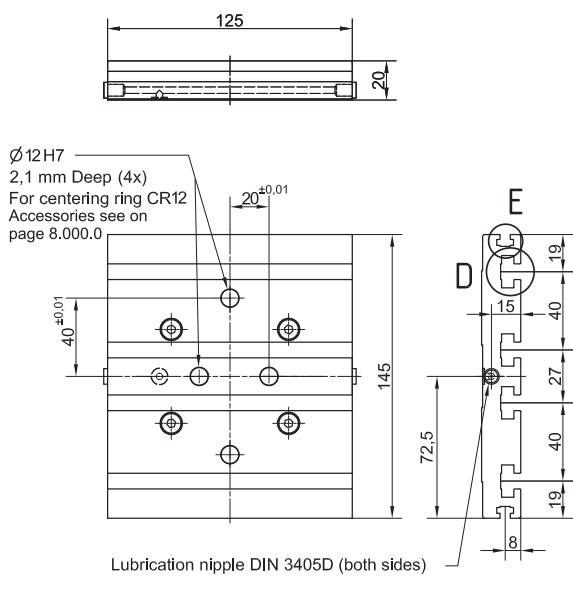
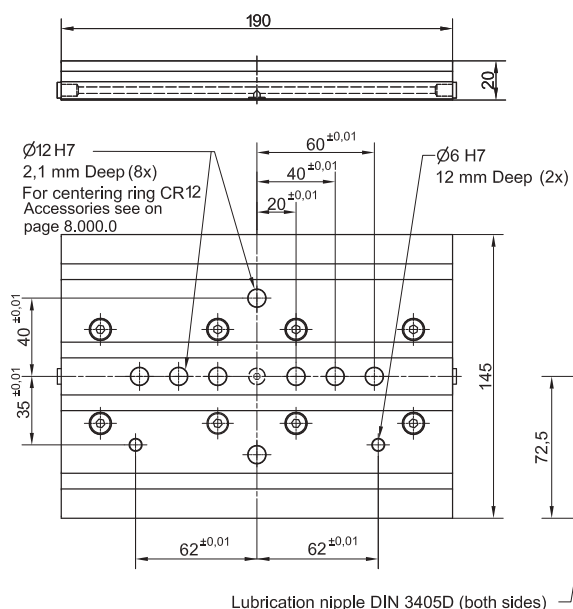


**i** All dimensions in mm; Drawings scales are not equal.

**CONNECTION PLATE**

**CTJ 145 L**

**CTJ 145 S**



Linear Unit	Plate length [ mm ]	Weight [ kg ]	Code
CTJ 145 S	125	0,8	46776
CTJ 145 L	190	1,3	46775

**i** Mounting elements for mounting the connection plate on the Linear unit are included.

**Mounting the drive**

- by the **MOTOR ADAPTER WITH COUPLING** (Page 8.020.0)

**i** Available on request.



**TECHNICAL DATA**

**General technical data**

Linear Unit	Carriage length Lv [ mm ]	Dynamic load capacity C [ N ]	Dynamic moment			Max. permissible loads					Moved mass [ kg ]	Max. Repeatability [ mm ]	* Max. length Lmax [ mm ]	* Max. stroke [ mm ]	** Min. stroke [ mm ]	
			Mx [ Nm ]	My [ Nm ]	Mz [ Nm ]	Forces		Moments								
						Fpy [ N ]	Fpz [ N ]	Mpx [ Nm ]	Mpy [ Nm ]	Mpz [ Nm ]						
CTJ 200 S	265	49600	3235	450	900	10000	24520	1600	450	308	3,05	± 0,08	6000	5710	65	
CTJ 200 L	405	99200	6470	8680	8680	20000	50900	3250	4550	1750	5,70	± 0,08		5570	65	

\* For lengths / stroke over the stated value in the table above please contact us.  
 Values for max. stroke are not valid for double carriage  
 (equation of defining the linear unit length for particular size of the linear unit needs to be used).  
 \*\* For minimum stroke below the stated value in the table above please contact us.

Operating conditions	
Operating temp.	0°C ~ +60°C
Duty cycle	100%

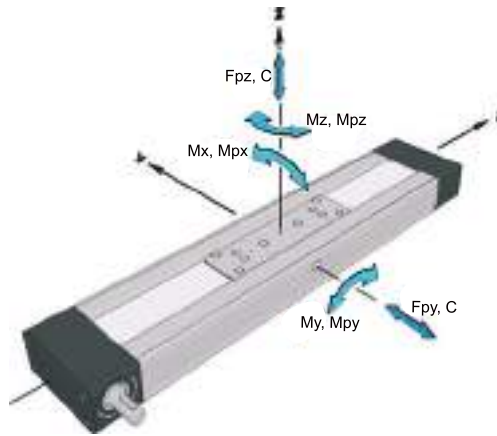
For operating temperature out of the presented range, please contact us.

**Recommended values of loads**

All the data of dynamic moments and load capacities stated in the upper table are theoretical without considering any safety factor. The safety factor depends on the application and its requested safety. We recommend a minimum safety factor (fs = 5.0)

**Modulus of elasticity**

$E = 70000 \text{ N} / \text{mm}^2$

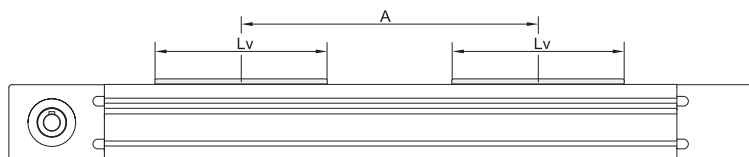


**General technical data for double carriage**

Linear Unit	Carriage version	Dynamic load capacity C [ N ]	Dynamic moment			Max. permissible loads				
			Mx [ Nm ]	My [ Nm ]	Mz [ Nm ]	Forces		Moments		
						Fpy [ N ]	Fpz [ N ]	Mpx [ Nm ]	Mpy [ Nm ]	Mpz [ Nm ]
CTJ 200	S2	99200	6470	49,6 * A [mm]	49,6 * A [mm]	20000	49040	3200	24,5 * A [mm]	10,0 * A [mm]

\* A - Distance between carriages. More info on following pages.

Presented values are for informational purposes only. Exact values can be calculated using our sizing selection tool on Unimotion web site.  
 For greater number of carriages please contact us.



**Drive and belt data**

Linear Unit	* Max. travel speed [ m / s ]	Max. drive torque [ Nm ]	* No load torque [ Nm ]	Pulley drive ratio [ mm / rev ]	Pulley diameter [ mm ]	Belt type	Belt width [ mm ]	Max. force transmitted by belt [ N ]	Specific spring constant Cspec [ N ]	** Max. acceleration [ m/s <sup>2</sup> ]
CTJ 200 S	6	102 with keyway	3,5	250	79,58	AT 10	100	3250	4350000	70
CTJ 200 L		129 without keyway	4,5							

\* The stated values are for strokes up to 500mm. No Load Torque value increases with stroke elongation.  
 \*\* For travel speed and acceleration over the stated value in the table above or diagrams please contact us.

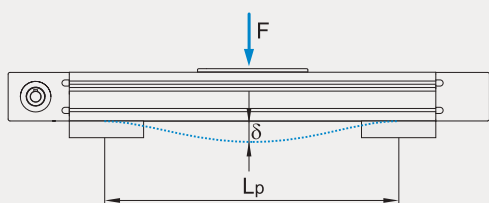
Mass and mass moment of inertia

Linear Unit	Carriage length	Mass of linear unit [ kg ]	Mass moment of inertia [ $10^{-5} \text{ kg} \cdot \text{m}^2$ ]	Planar moment of inertia	
	$L_v$ [ mm ]			$I_y$ [ $\text{cm}^4$ ]	$I_z$ [ $\text{cm}^4$ ]
CTJ 200 S	265	$20,2 + 0,0245 \cdot \text{Stroke [ mm ]}$	$778 + 0,1868 \cdot \text{Stroke [ mm ]}$	376,4	2744,6
CTJ 200 L	405	$26,2 + 0,0245 \cdot \text{Stroke [ mm ]}$	$1210 + 0,1868 \cdot \text{Stroke [ mm ]}$		

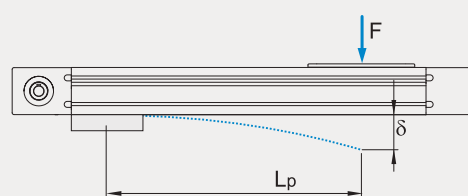
**i** Mass calculation doesn't include mass of motor, reduction gear, switches and clamps.

Deflection of the linear unit

Fixed - fixed mounting



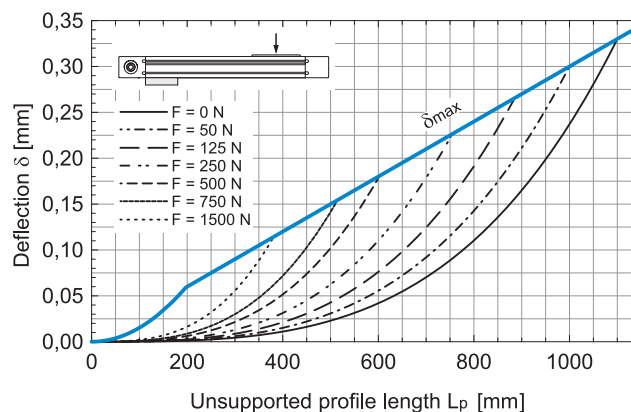
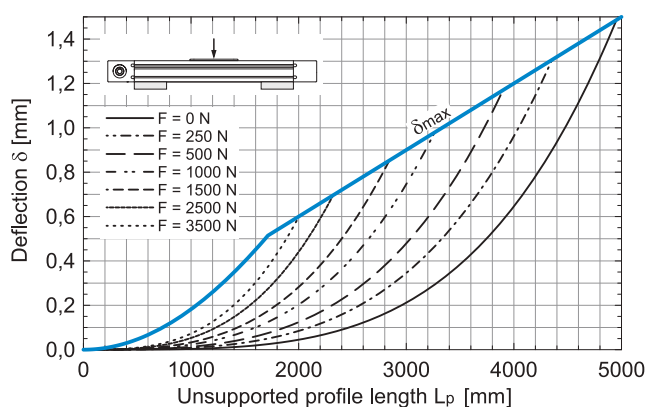
Fixed - free mounting



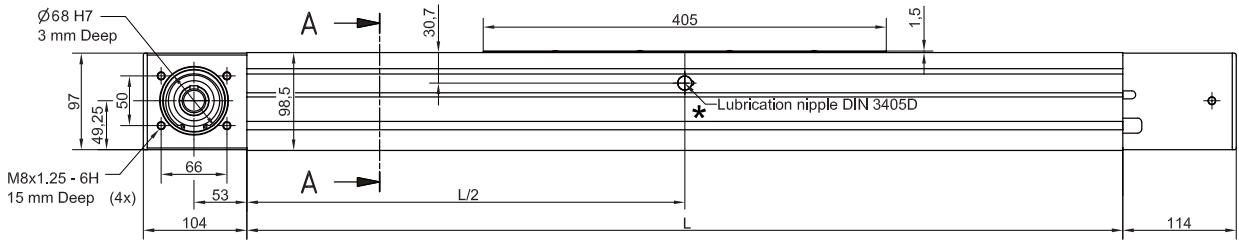
- $\delta$  Maximum deflection of the linear unit [mm]
- $\delta_{max}$  Maximum permissible deflection of the linear unit [mm]
- F Applied force [N]
- $L_p$  Unsupported profile length [mm]

**i** The maximum permissible deflection  $\delta_{max}$  must not be exceeded. In the case that maximum deflection  $\delta$  exceeds the maximum permissible deflection  $\delta_{max}$  additional profile supports are needed.

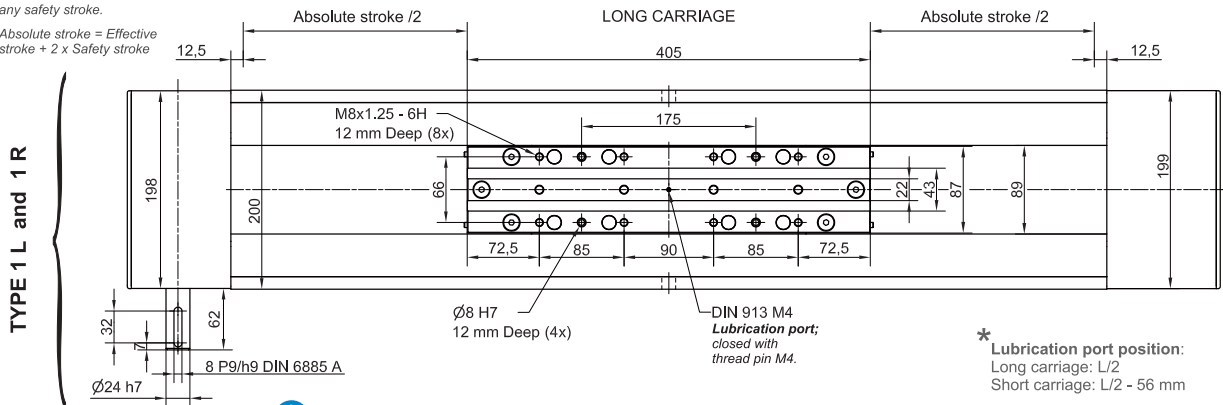
CTJ 200



**DIMENSIONS**



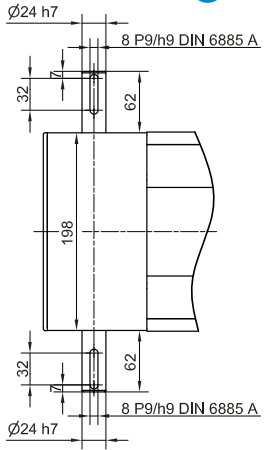
**i** Linear Unit doesn't include any safety stroke.  
Absolute stroke = Effective stroke + 2 x Safety stroke



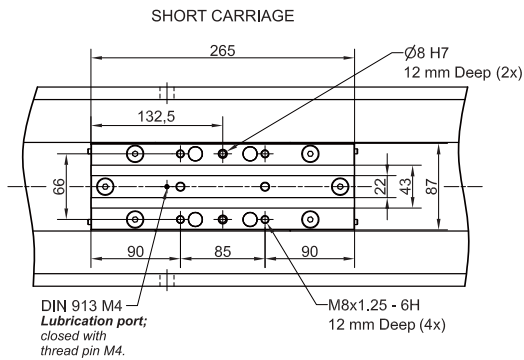
**TYPE 1 L and 1 R**

\* Lubrication port position:  
Long carriage: L/2  
Short carriage: L/2 - 56 mm

**i** Journal with or without Keyway.



**TYPE 2**

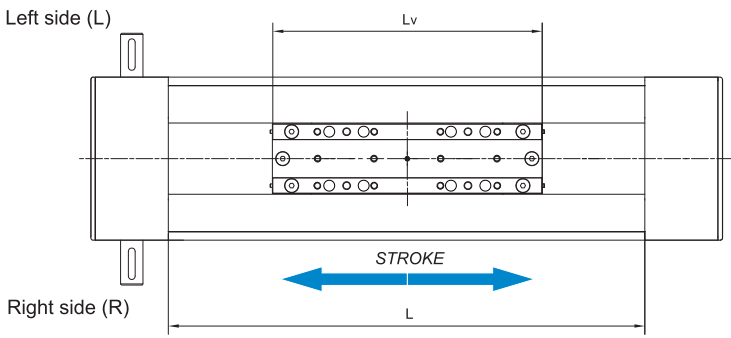


**i** All dimensions in mm; Drawings scales are not equal.

**Defining of the linear unit length**

**L = Effective stroke + 2 × Safety stroke + Lv + 25 mm**

**Ltotal= L + 218 mm**

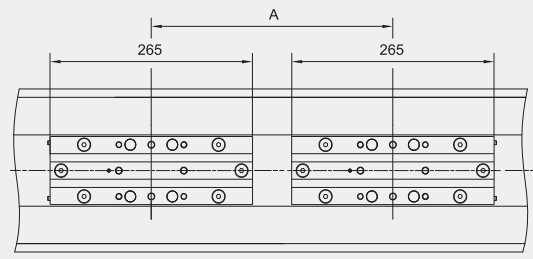


Lv - Long carriage = 405 mm  
Lv - Short carriage = 265 mm

**L = Effective stroke + 2 × Safety stroke + A + 290 mm**  
**Ltotal = L + 218 mm** } **A ≥ 265 mm** **!**

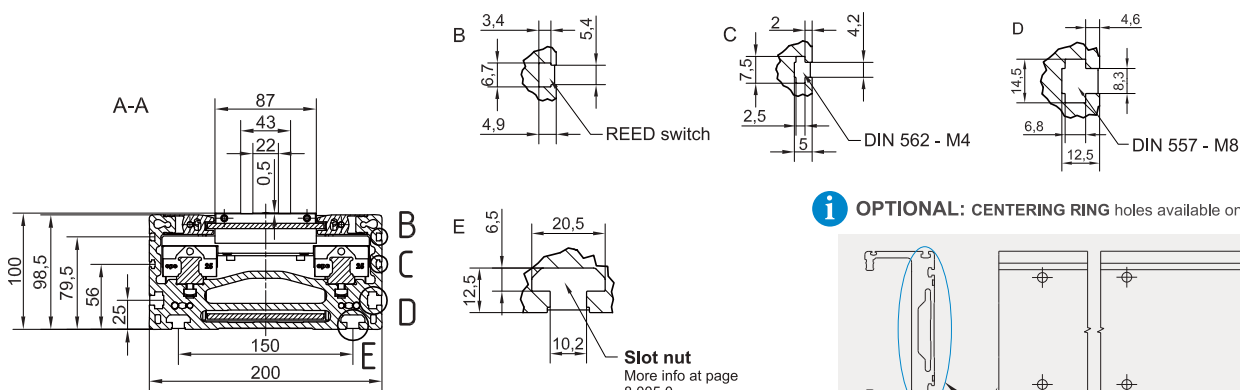
**Double-Carriage**

**i** Only with short carriage version.



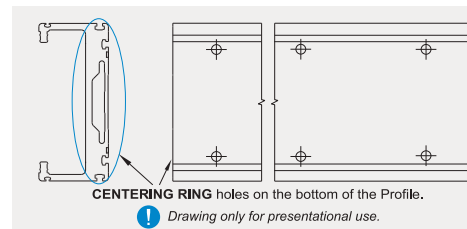
**i** For ordering code please contact us.

**DIMENSIONS**



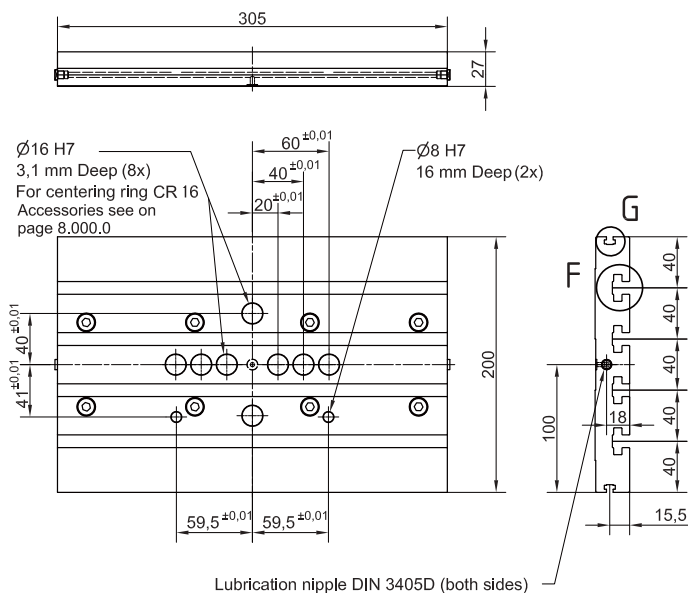
**i** All dimensions in mm; Drawings scales are not equal.

**i** **OPTIONAL: CENTERING RING** holes available on request.

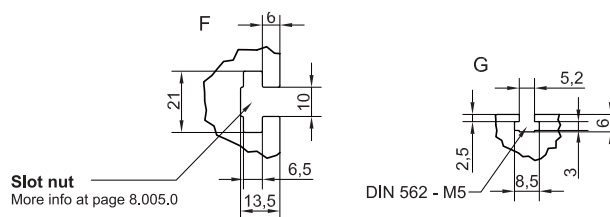
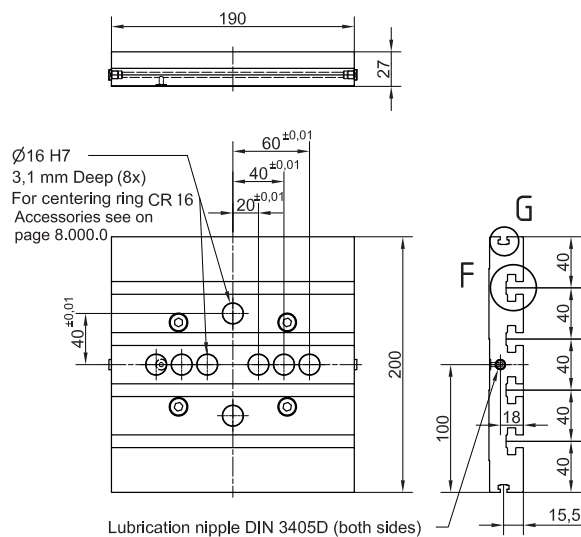


**CONNECTION PLATE**

**CTJ 200 L**



**CTJ 200 S**



Linear Unit	Plate length [ mm ]	Weight [ kg ]	Code
CTJ 200 S	190	2,3	52483
CTJ 200 L	305	3,7	52482

**i** Mounting elements for mounting the connection plate on the Linear unit are included.

**Mounting the drive**

- by the **MOTOR ADAPTER WITH COUPLING** (Page 8.020.0)

**i** Available on request.





## CHARACTERISTICS

The **CTV** series describes Linear Units with a precision ball screw drive and two parallel, integrated, Zero-backlash rail guides. Compact dimensions allow high performance features such as, high speeds, good accuracy and repeatability.

They can easily be combined to multi-axis systems.

Excellent price-/performance ratio and quick delivery time are ensured.

The compact, precision-extruded aluminum Profile from AL 6063, with two parallel, integrated, Zero-backlash rail guide systems, allows high load capacities and optimal cycles for the movement of larger masses at high speed.

In the Linear Units CTV a precision ball screw, with tolerance class ISO7 ( ISO5 on request), with reduced backlash of the ball nut is used.

Two parallel circulating antistatic polyurethane sealing strips and an aluminum cover are ensuring to protect all the parts in the profile from dust and other contaminations.

Different carriage lengths with lubrication port allows for easy re-lubrication of the ball screw and Ball rail guide system and allows the possibility to attach additional accessories. The re-lubrication can also be done through maintenance holes on the side of the Profile.

The aluminum profile includes T-slots for fixing the Linear Unit and for attaching sensors and switches. Also, a Reed switch can be used here.

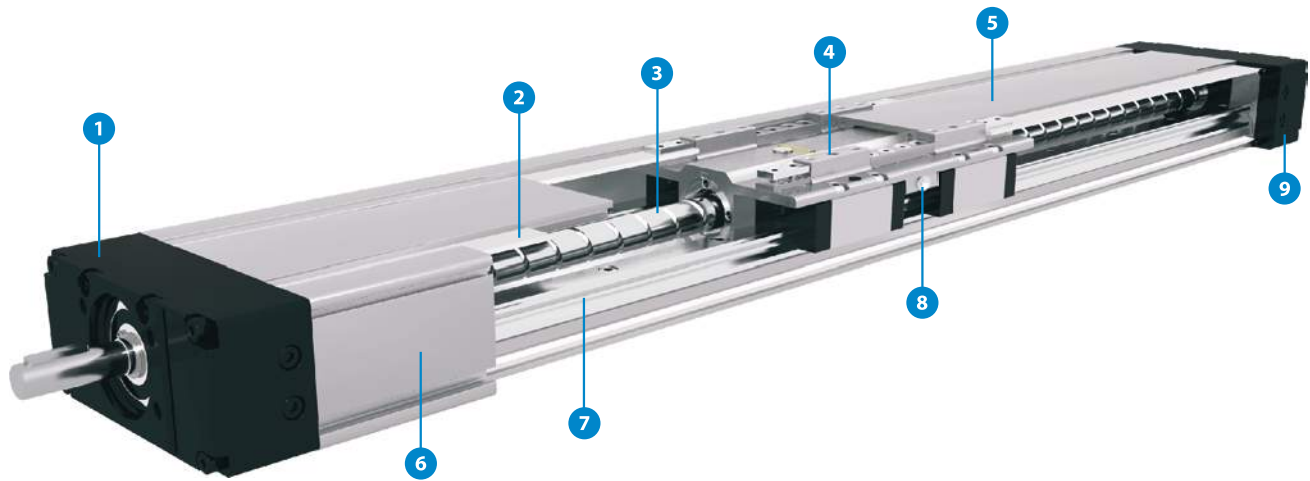
For the linear units CTV various adaptation options, for attaching (or redirecting), for Motors or Gearboxes are available.



**i** The aluminium profiles are manufactured according to the medium EN 12020-2 standard

Straightness = 0,35 mm/m; Max. torsion = 0,35 mm/m; Angular torsion = 0,2 mm/40 mm; Parallelism = 0,2 mm

STRUCTURAL DESIGN



- 1 - Drive block with floating bearing
- 2 - Gap-type seal of antistatic PU strip (recirculating)
- 3 - Ball screw tolerance ISO7 (ISO5 available on request)
- 4 - Carriage; with built in Magnets
- 5 - Aluminum cover
- 6 - Aluminium profile-Hard anodized
- 7 - Two integrated Linear Ball Guideways
- 8 - Central lubrication port; both sides
- 9 - End block with fixed bearing



**CTV - 110 - 1610 - ISO7 - 1 - 1000 - L - 1 - 1**

**Series:** \_\_\_\_\_  
CTV

**Size:** \_\_\_\_\_  
90  
110  
145  
200

**Ball screw :** \_\_\_\_\_  
CTV 90: Ø12×5, Ø12×10  
CTV 110: Ø16×5, Ø16×10, Ø16×16  
CTV 145: Ø20×5, Ø20×10, Ø20×20, Ø20×50  
CTV 200: Ø32×5, Ø32×10, Ø32×20, Ø32×32

**Ball screw tolerance :** \_\_\_\_\_  
ISO7 (Standard)  
ISO5

**Ball screw journal :** \_\_\_\_\_  
0 : Without keyway  
1 : With keyway  
**!** CTV 90 only available without keyway - 0

**Absolute stroke (mm) :** \_\_\_\_\_  
(Absolute stroke = Effective stroke + 2 x Safety stroke)

**Carriage Version :** \_\_\_\_\_  
S : Short  
L : Long

**Connection plate :** \_\_\_\_\_  
0 : Without  
1 : With

**Protection cover :** \_\_\_\_\_  
0 : Without antistatic PU Gap-type seal strip  
1 : With antistatic PU Gap-type seal strip (Standard)  
2 : With Corrosion-resistant protection strip

**TECHNICAL DATA**

**General technical data**

Linear Unit	Carriage length Lv [ mm ]	Dynamic load capacity C [ N ]	Dynamic moment			Max. permissible loads					Moved mass [ kg ]	* Max. length Lmax [ mm ]	* Max. stroke [ mm ]
			Mx [ Nm ]	My [ Nm ]	Mz [ Nm ]	Forces		Moments					
						Fpy [ N ]	Fpz [ N ]	Mpx [ Nm ]	Mpy [ Nm ]	Mpz [ Nm ]			
CTV 90 S	35	4620	125	17	34	2000	4540	125	17	34	0,3	750	665
CTV 90 L	100	9240	250	300	300	3990	9090	250	297	130	0,5		600

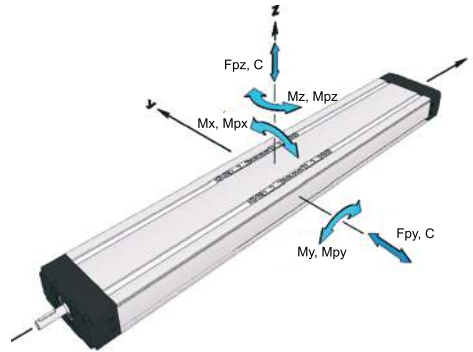
\* For lengths / stroke over the stated value in the table above please contact us.  
Values for max. stroke are not valid for double carriage.  
(equation of defining the linear unit length for particular size of the linear unit needs to be used).

**i Recommended values of loads:**

All the data of dynamic moments and load capacities stated in the upper table are theoretical without considering any safety factor. The safety factor depends on the application and its requested safety. We recommend a minimum safety factor (fs = 5.0)

**Modulus of elasticity**

$E = 70000 \text{ N / mm}^2$



Operating conditions	
Operating temp.	0°C ~ +60°C
Duty cycle	100%

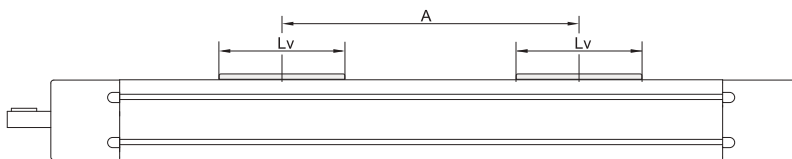
For operating temperature out of the presented range, please contact us.

**General technical data for double carriage**

Linear Unit	Carriage version	Dynamic load capacity C [ N ]	* Dynamic moment			* Forces		Max. permissible loads		
			Mx [ Nm ]	My [ Nm ]	Mz [ Nm ]	Fpy [ N ]	Fpz [ N ]	Mpx [ Nm ]	Mpy [ Nm ]	Mpz [ Nm ]
CTV 90	S2	9240	250	4,6 * A [ mm ]	4,6 * A [ mm ]	3990	9090	250	4,5 * A [ mm ]	2,0 * A [ mm ]

\* A - Distance between carriages. More info on following pages.

**i** Presented values are for informational purposes only. Exact values can be calculated using our sizing selection tool on Unimotion web site.  
For greater number of carriages please contact us.



**Ball Screw Drive data**

Linear Unit	Ball screw [ d × l ]	Max. rotational speed [ rev / min ]	1 Max. travel speed [ m / s ]	2 No load torque		Lead constant [ mm / rev ]	3 Max. repeatability precision [ mm ]		Dynamic load capacity BS Ca [ N ]	Max. Axial load Fx [ N ]	Max. drive torque Ma [ Nm ]	4 Min. stroke [ mm ]	1 Max. acceleration [ m/s² ]
				Carriage: S [ Nm ]	Carriage: L [ Nm ]		STANDARD ISO7	ISO5					
CTV 90	12 × 5	5800	0,49	0,07	0,09	5	± 0,02	± 0,01	5000	5000	4,4 without Keyway	30	20
	12 × 10		0,97	0,06	0,08	10	± 0,02	± 0,01	3800	2540	4,5 without Keyway		

1 Max. travel speed depends of the length of the linear unit, see diagram for particular size of the linear unit.  
For travel speed and acceleration over the stated value in the table above or diagrams please contact us.

2 The stated values are for strokes up to 500mm.  
No Load Torque value increases with stroke elongation

3 For the ball nut with the preload of 2% please contact us

4 For minimum stroke below the stated value in the table above please contact us.

**Mass moment inertia of Linear unit**

Linear unit	Carriage version	Ball screw [ d × l ]	Mass moment of inertia [ 10 <sup>-5</sup> kg · m <sup>2</sup> ]		
			ly [ cm <sup>4</sup> ]	lz [ cm <sup>4</sup> ]	
CTV 90	S	12 × 5	0,32 + 0,002 * Stroke [ mm ]	13,6	102,6
		12 × 10	0,38 + 0,002 * Stroke [ mm ]		
	L	12 × 5	0,43 + 0,002 * Stroke [ mm ]		
		12 × 10	0,53 + 0,002 * Stroke [ mm ]		

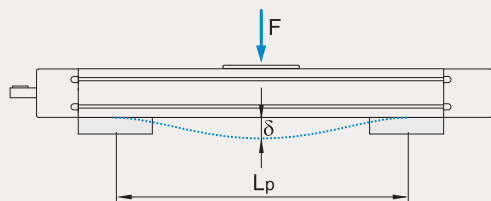
**Mass of Linear unit**

Linear unit	Carriage Length Lv [ mm ]	Mass of Linear unit [ kg ]
CTV 90 S	35	1,6 + 0,006 * Stroke [ mm ]
CTV 90 L	100	2,2 + 0,006 * Stroke [ mm ]

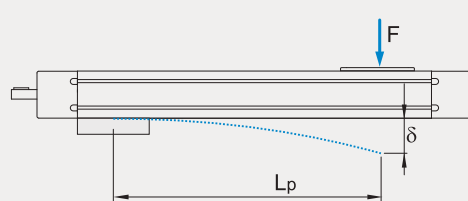
**i** Mass calculation doesn't include mass of motor, reduction gear, switches and clamps.

**Deflection of the linear unit**

**Fixed - fixed mounting**



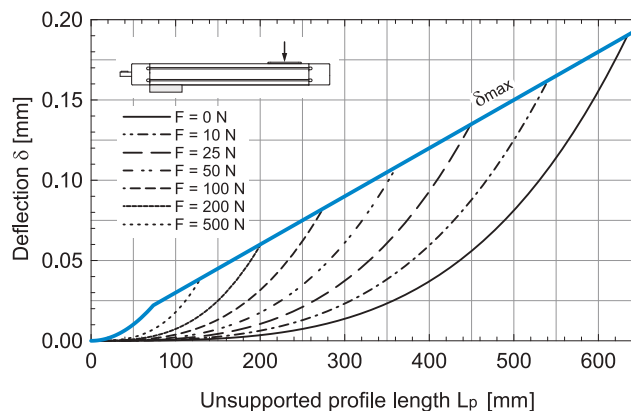
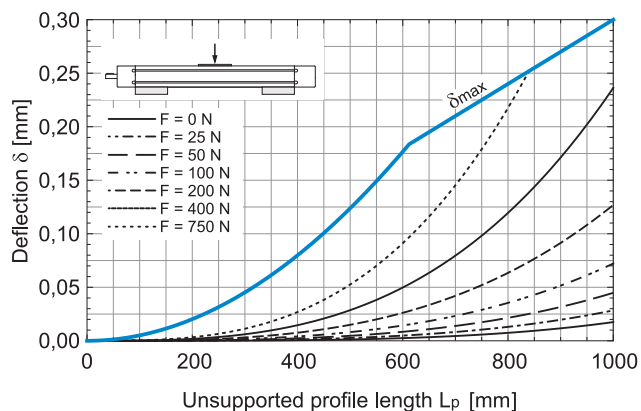
**Fixed - free mounting**



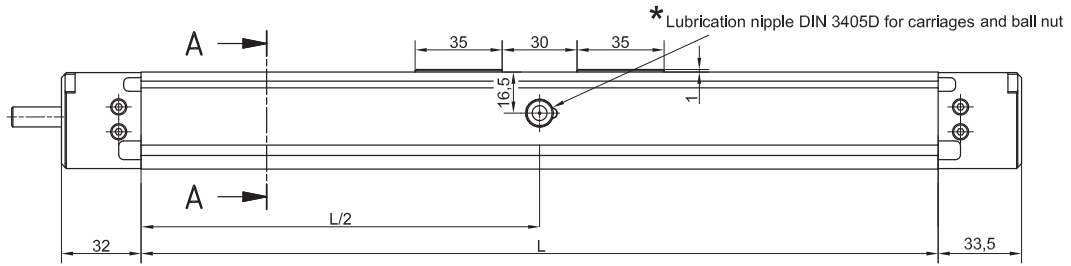
- δ Maximum deflection of the linear unit [mm]
- δ<sub>max</sub> Maximum permissible deflection of the linear unit [mm]
- F Applied force [N]
- L<sub>p</sub> Unsupported profile length [mm]

**i** The maximum permissible deflection δ<sub>max</sub> must not be exceeded. In the case that maximum deflection δ exceeds the maximum permissible deflection δ<sub>max</sub> additional profile supports are needed.

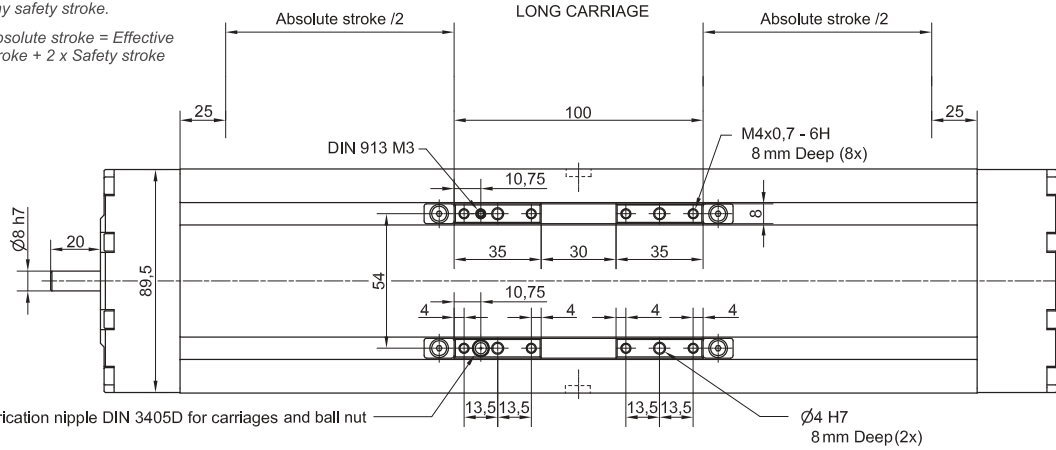
**CTV 90**



**DIMENSIONS**

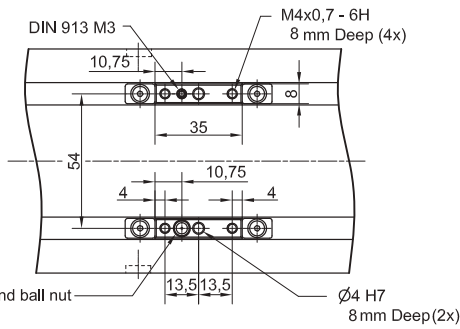


**i** Linear Unit doesn't include any safety stroke.  
Absolute stroke = Effective stroke + 2 x Safety stroke



\* Lubrication port position:  
Long carriage: L/2  
Short carriage: L/2 - 24,2 mm

**SHORT CARRIAGE**

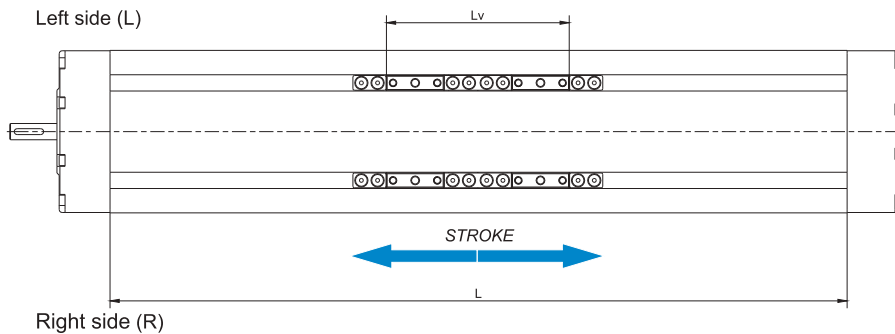


**i** All dimensions in mm.  
Drawings scales are not equal.

**Defining of the linear unit length**

**L = Effective stroke + 2 × Safety stroke + Lv + 50 mm**

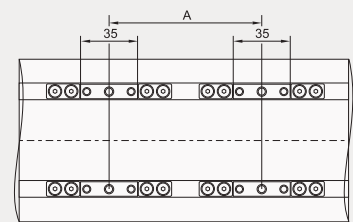
**Ltotal = L + 65,5 mm**



Lv - Long carriage = 100 mm  
Lv - Short carriage = 35 mm

**Double-Carriage**

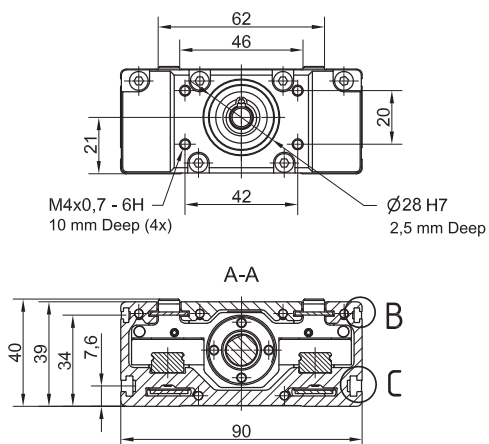
**i** Only with **short carriage** version.



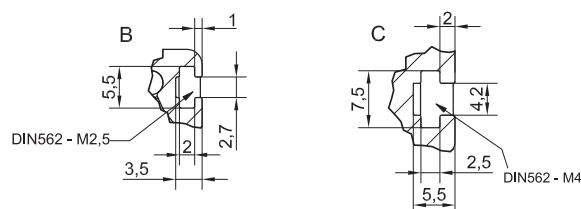
**i** For ordering code please contact us.

**L = Effective stroke + 2 × Safety stroke + A + 85 mm**  
**Ltotal = L + 65,5mm** } **A ≥ 65 mm** **!**

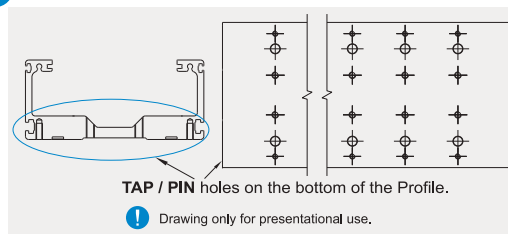
**DIMENSIONS**



**i** All dimensions in mm; Drawings scales are not equal.



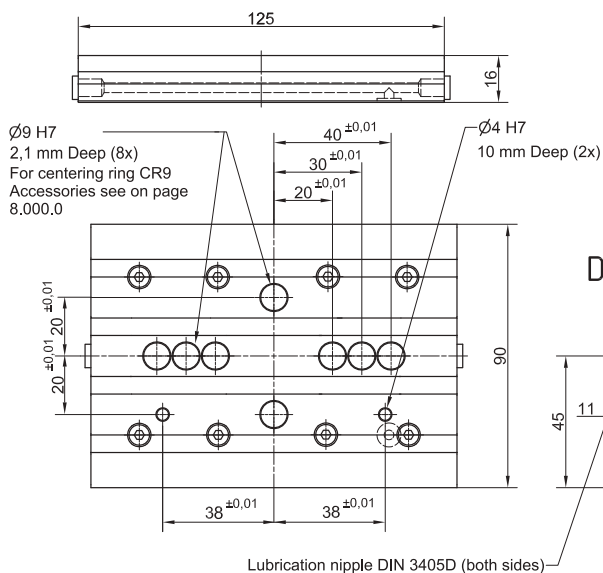
**i** **OPTIONAL: TAP / PIN** holes available on request.



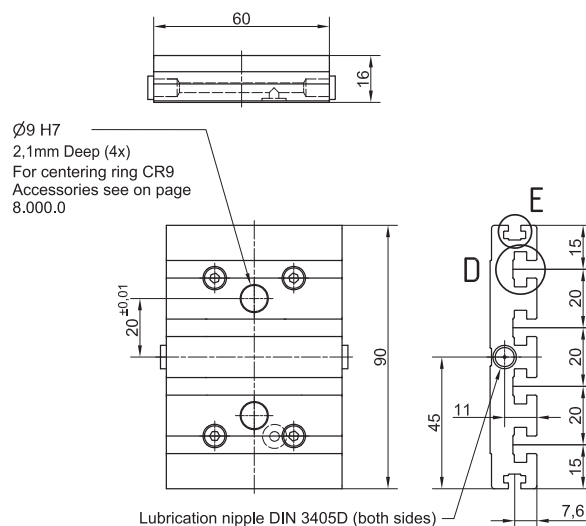
**i** Drawing only for presentational use.

**CONNECTION PLATE**

**CTV 90 L**

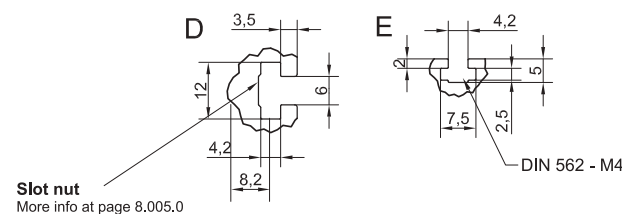


**CTV 90 S**



Lubrication nipple DIN 3405D (both sides)

Linear Unit	Plate length [mm]	Weight [kg]	Code
CTV 90 S	60	0,21	46906
CTV 90 L	125	0,44	46907



**Slot nut**  
More info at page 8.005.0

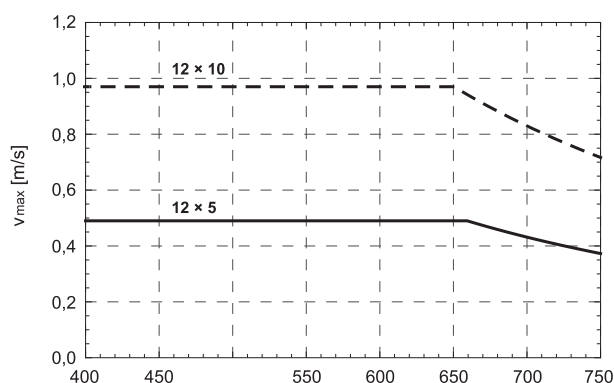
**i** Mounting elements for mounting the connection plate on the Linear unit are included.

**Mounting the drive**

- by the **MOTOR SIDE DRIVE - MSD** (Page 7.095.0)
- by the **MOTOR ADAPTER WITH COUPLING** (Page 8.020.0)

**i** Available on request.

**Maximum travel speed as a function of the profile length (V<sub>max</sub> - L curves)**



**TECHNICAL DATA**

**General technical data**

Linear Unit	Carriage length Lv [ mm ]	Dynamic load capacity C [ N ]	Dynamic moment			Max. permissible loads					Moved mass [ kg ]	* Max. length Lmax [ mm ]	* Max. stroke [ mm ]
			Mx [ Nm ]	My [ Nm ]	Mz [ Nm ]	Forces		Moments					
						Fpy [ N ]	Fpz [ N ]	Mpx [ Nm ]	Mpy [ Nm ]	Mpz [ Nm ]			
CTV 110 S	39	19800	650	118	235	4670	9390	310	90	90	0,63	1500	1410
CTV 110 L	124	39600	1305	1680	1680	13080	18800	620	800	550	1,36		1325

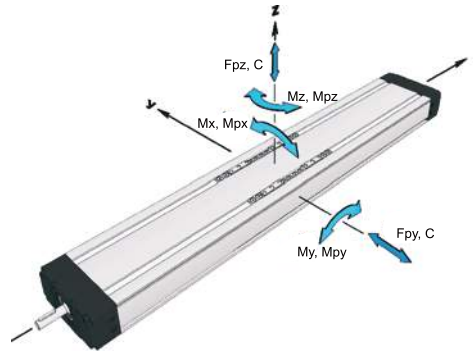
\* For lengths / stroke over the stated value in the table above please contact us.  
Values for max. stroke are not valid for double carriage.  
(equation of defining the linear unit length for particular size of the linear unit needs to be used).

**i Recommended values of loads:**

All the data of dynamic moments and load capacities stated in the upper table are theoretical without considering any safety factor. The safety factor depends on the application and its requested safety. We recommend a minimum safety factor (fs = 5.0)

**Modulus of elasticity**

$E = 70000 \text{ N / mm}^2$



Operating conditions	
Operating temp.	0°C ~ +60°C
Duty cycle	100%

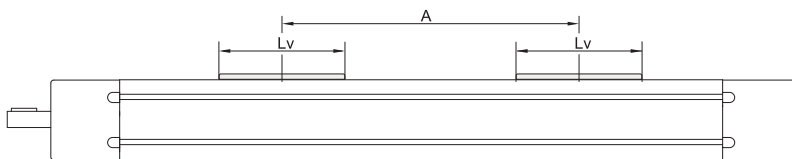
For operating temperature out of the presented range, please contact us.

**General technical data for double carriage**

Linear Unit	Carriage version	Dynamic load capacity C [ N ]	* Dynamic moment			* Max. permissible loads				
			Mx [ Nm ]	My [ Nm ]	Mz [ Nm ]	Forces		Moments		
						Fpy [ N ]	Fpz [ N ]	Mpx [ Nm ]	Mpy [ Nm ]	Mpz [ Nm ]
CTV 110	S2	39600	1300	19,8 * A [mm]	19,8 * A [mm]	12940	18790	620	9,4 * A [mm]	6,5 * A [mm]

\* A - Distance between carriages. More info on following pages.

**i** Presented values are for informational purposes only. Exact values can be calculated using our sizing selection tool on Unimotion web site.  
For greater number of carriages please contact us.



**Ball Screw Drive data**

Linear Unit	Ball screw [ d × l ]	Max. rotational speed [ rev / min ]	1 Max. travel speed [ m / s ]	2 No load torque		Lead constant [ mm / rev ]	3 Max. repeatability precision [ mm ]		Dynamic load capacity BS Ca [ N ]	Max. Axial load Fx [ N ]	Max. drive torque Ma [ Nm ]	4 Min. stroke [ mm ]	1 Max. acceleration [ m/s² ]									
				Carriage: S [ Nm ]	Carriage: L [ Nm ]		STANDARD	ISO5														
CTV 110	16 × 5	4200	0,35	0,11	0,13	5	± 0,02	± 0,01	13150	8700	5,5 with Keyway 7,7 without Keyway	40	20									
	16 × 10													0,70	0,12	0,16	10	± 0,02	± 0,01	11550	6730	5,5 with Keyway 11,9 without Keyway
	16 × 16													1,12	0,14	0,18	16	± 0,02	± 0,01	8170	4200	

1 Max. travel speed depends of the length of the linear unit, see diagram for particular size of the linear unit.  
For travel speed and acceleration over the stated value in the table above or diagrams please contact us.

2 The stated values are for strokes up to 500mm.  
No Load Torque value increases with stroke elongation

3 For the ball nut with the preload of 2% please contact us

4 For minimum stroke below the stated value in the table above please contact us.

**Mass moment inertia of Linear unit**

Linear unit	Carriage version	Ball screw [ d × l ]	Mass moment of inertia [ 10 <sup>-5</sup> kg · m <sup>2</sup> ]	Planar moment of inertia	
				I <sub>y</sub> [ cm <sup>4</sup> ]	I <sub>z</sub> [ cm <sup>4</sup> ]
CTV 110	S	16 × 5	0,70 + 0,005 · Stroke [ mm ]	29,1	196,0
		16 × 10	0,82 + 0,005 · Stroke [ mm ]		
		16 × 16	1,07 + 0,005 · Stroke [ mm ]		
	L	16 × 5	1,19 + 0,005 · Stroke [ mm ]		
		16 × 10	1,45 + 0,005 · Stroke [ mm ]		
		16 × 16	1,99 + 0,005 · Stroke [ mm ]		

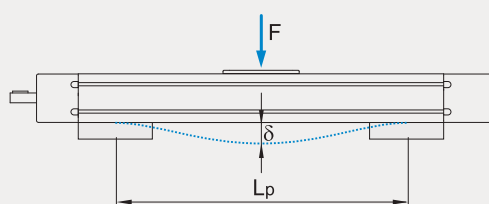
**Mass of Linear unit**

Linear unit	Carriage Length L <sub>v</sub> [ mm ]	Mass of Linear unit [ kg ]
CTV 110 S	39	3,3 + 0,008 · Stroke [ mm ]
CTV 110 L	124	4,6 + 0,008 · Stroke [ mm ]

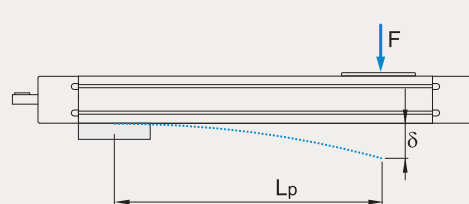
**i** Mass calculation doesn't include mass of motor, reduction gear, switches and clamps.

**Deflection of the linear unit**

**Fixed - fixed mounting**



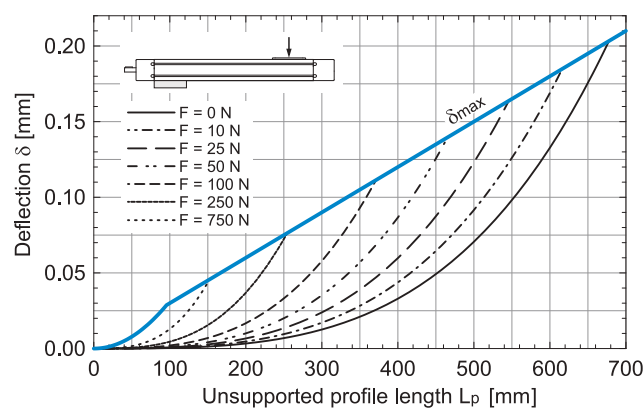
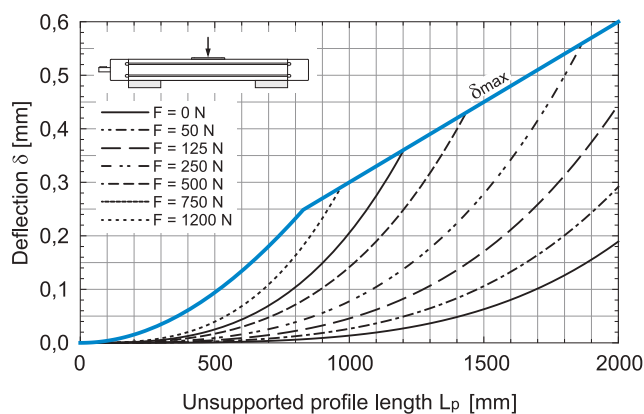
**Fixed - free mounting**



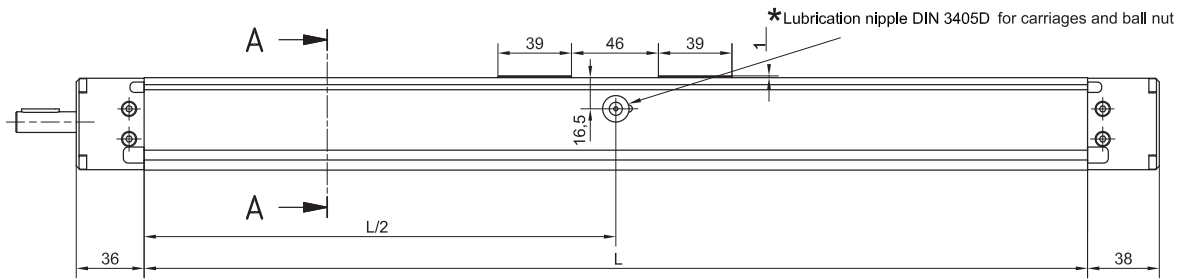
- δ Maximum deflection of the linear unit [mm]
- δ<sub>max</sub> Maximum permissible deflection of the linear unit [mm]
- F Applied force [N]
- L<sub>p</sub> Unsupported profile length [mm]

**i** The maximum permissible deflection δ<sub>max</sub> must not be exceeded. In the case that maximum deflection δ exceeds the maximum permissible deflection δ<sub>max</sub> additional profile supports are needed.

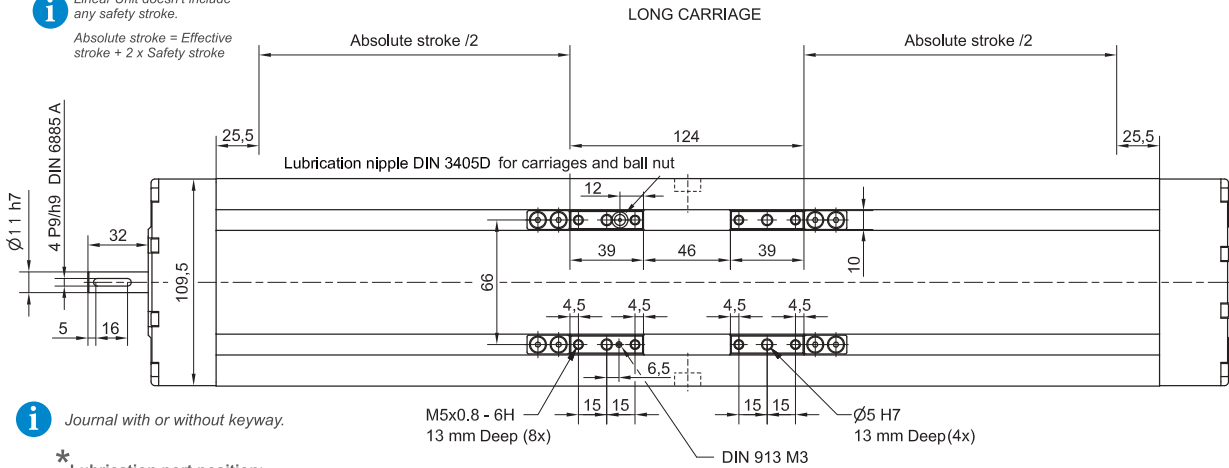
**CTV 110**



**DIMENSIONS**



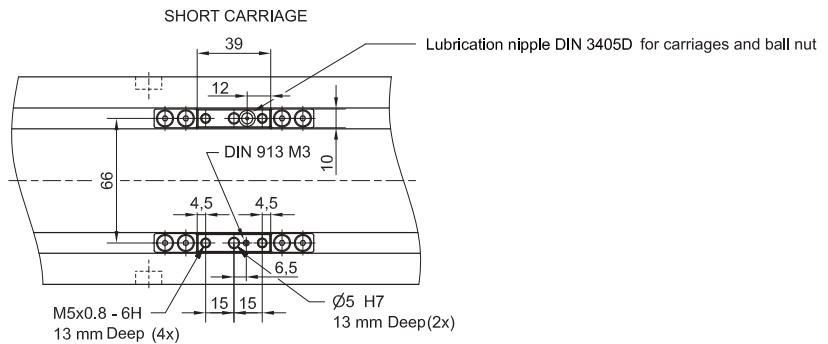
**i** Linear Unit doesn't include any safety stroke.  
Absolute stroke = Effective stroke + 2 x Safety stroke



**i** Journal with or without keyway.

\* Lubrication port position:  
Long carriage: L/2  
Short carriage: L/2 - 39 mm

**i** All dimensions in mm.  
Drawings scales are not equal.

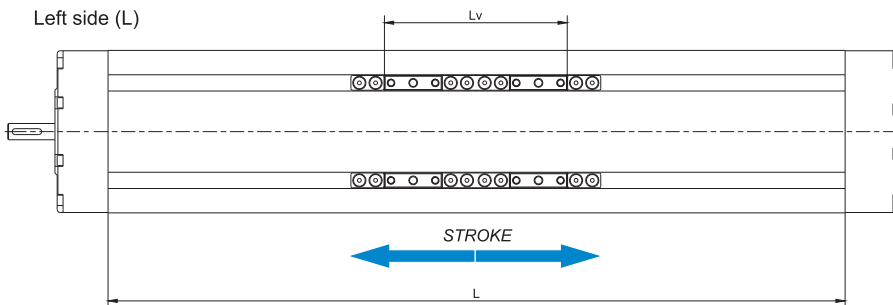


**Defining of the linear unit length**

**$L = \text{Effective stroke} + 2 \times \text{Safety stroke} + L_v + 51 \text{ mm}$**

**$L_{\text{total}} = L + 74 \text{ mm}$**

Left side (L)



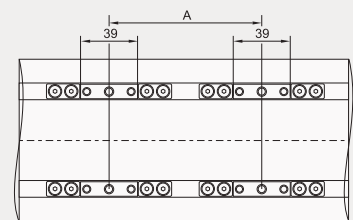
Right side (R)

**$L_v - \text{Long carriage} = 124 \text{ mm}$**   
 **$L_v - \text{Short carriage} = 39 \text{ mm}$**

**$L = \text{Effective stroke} + 2 \times \text{Safety stroke} + A + 90 \text{ mm}$**   
 **$L_{\text{total}} = L + 74 \text{ mm}$**  }  **$A \geq 85 \text{ mm}$**  **!**

**Double-Carriage**

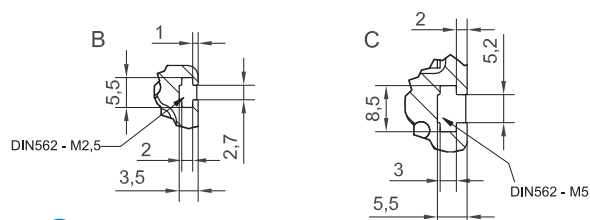
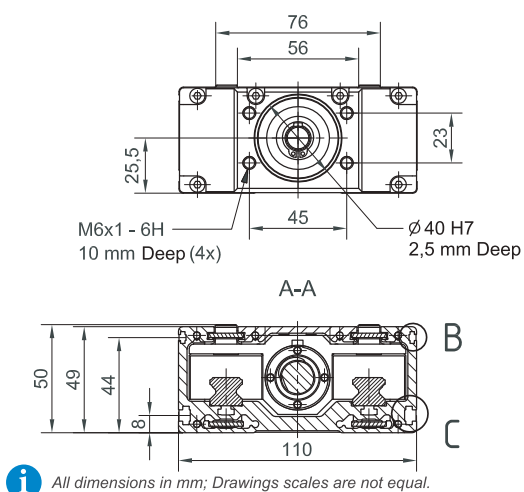
**i** Only with **short carriage** version.



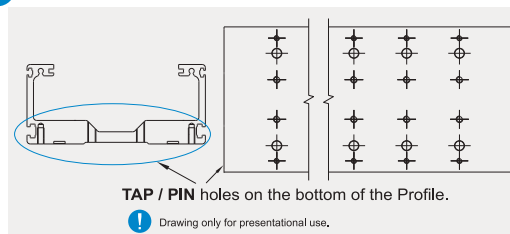
**i** For ordering code please contact us.



**DIMENSIONS**

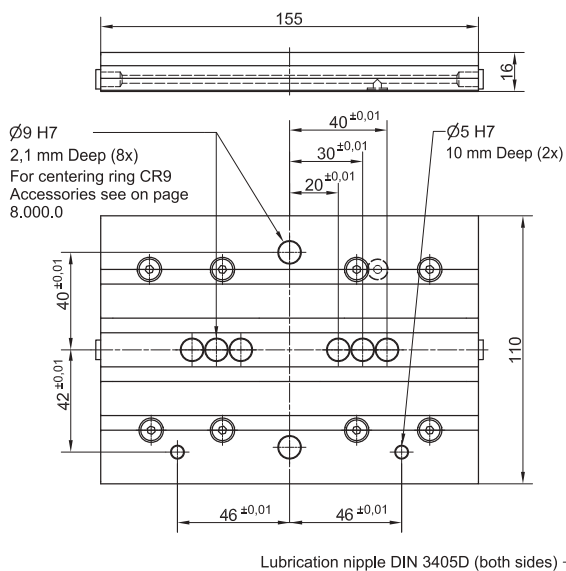


**i** OPTIONAL: TAP / PIN holes available on request.

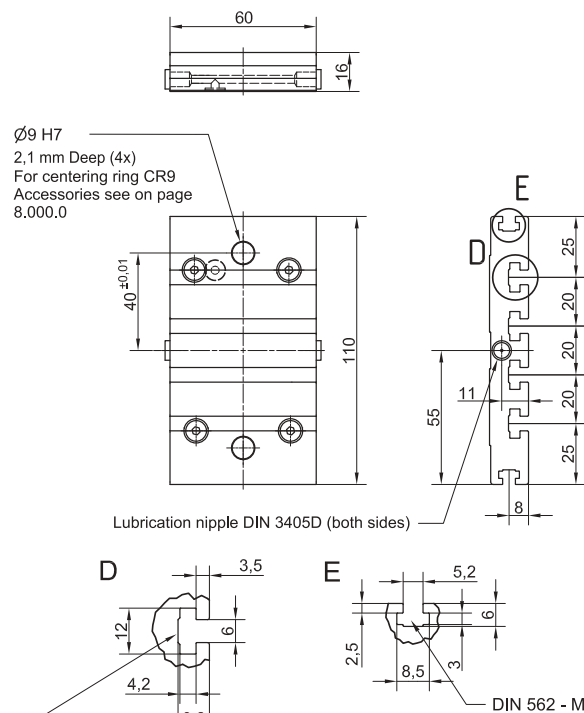


**CONNECTION PLATE**

**CTV 110 L**



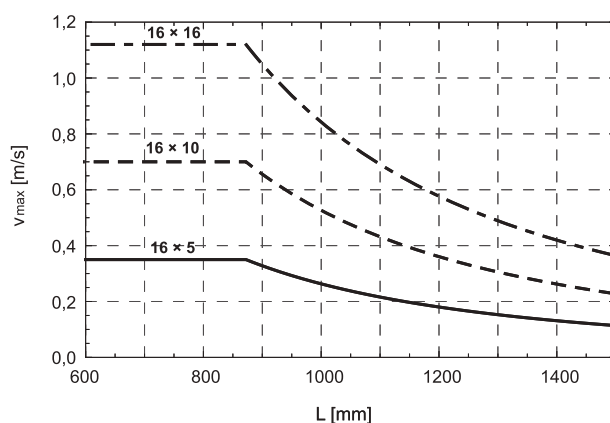
**CTV 110 S**



Linear Unit	Plate length [mm]	Weight [kg]	Code
CTV 110 S	60	0,37	48348
CTV 110 L	155	0,74	48349

**i** Mounting elements for mounting the connection plate on the Linear unit are included.

**Maximum travel speed as a function of the profile length (V<sub>max</sub> - L curves)**



**Mounting the drive**

- by the **MOTOR SIDE DRIVE - MSD** (Page 7.095.0)
- by the **MOTOR ADAPTER WITH COUPLING** (Page 8.020.0)

**i** Available on request.

**TECHNICAL DATA**

**General technical data**

Linear Unit	Carriage length Lv [ mm ]	Dynamic load capacity C [ N ]	Dynamic moment			Max. permissible loads					Moved mass [ kg ]	* Max. length Lmax [ mm ]	* Max. stroke [ mm ]
			Mx [ Nm ]	My [ Nm ]	Mz [ Nm ]	Forces		Moments					
						Fpy [ N ]	Fpz [ N ]	Mpx [ Nm ]	Mpy [ Nm ]	Mpz [ Nm ]			
CTV 145 S	49	34200	1500	260	520	8930	15320	674	260	180	1,19	1800	1690
CTV 145 L	149	68400	3005	3420	3420	17870	30680	1350	1700	893	2,61		1590

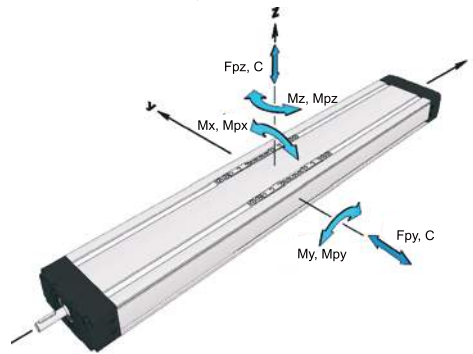
\* For lengths / stroke over the stated value in the table above please contact us.  
Values for max. stroke are not valid for double carriage.  
(equation of defining the linear unit length for particular size of the linear unit needs to be used).

**i Recommended values of loads:**

All the data of dynamic moments and load capacities stated in the upper table are theoretical without considering any safety factor. The safety factor depends on the application and its requested safety. We recommend a minimum safety factor (fs = 5.0)

**Modulus of elasticity**

$E = 70000 \text{ N / mm}^2$



Operating conditions	
Operating temp.	0°C ~ +60°C
Duty cycle	100%

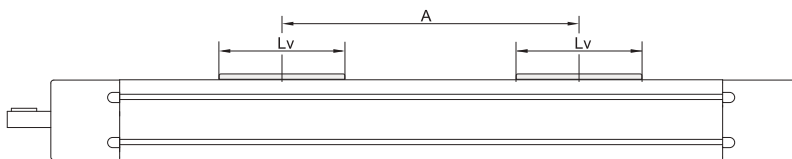
For operating temperature out of the presented range, please contact us.

**General technical data for double carriage**

Linear Unit	Carriage version	Dynamic load capacity C [ N ]	* Dynamic moment			* Forces		Max. permissible loads		
			Mx [ Nm ]	My [ Nm ]	Mz [ Nm ]	Fpy [ N ]	Fpz [ N ]	Mpx [ Nm ]	Mpy [ Nm ]	Mpz [ Nm ]
CTV 145	S2	68400	3000	34,2 * A [mm]	34,2 * A [mm]	17870	30640	1350	15,3 * A [mm]	8,9 * A [mm]

\*A - Distance between carriages. More info on following pages.

**i** Presented values are for informational purposes only. Exact values can be calculated using our sizing selection tool on Unimotion web site.  
For greater number of carriages please contact us.



**Ball Screw Drive data**

Linear Unit	Ball screw [ d × l ]	Max. rotational speed [ rev / min ]	1 Max. travel speed [ m / s ]	2 No load torque		Lead constant [ mm / rev ]	3 Max. repeatability precision [ mm ]		Dynamic load capacity BS Ca [ N ]	Max. Axial load Fx [ N ]	Max. drive torque Ma [ Nm ]	4 Min. stroke [ mm ]	1 Max. acceleration [ m/s² ]	
				Carriage: S [ Nm ]	Carriage: L [ Nm ]		STANDARD	ISO5						
CTV 145	20 × 5	3300	0,28	0,28	0,3	5	± 0,02	± 0,01	14800	14800	11,9 with Keyway 13,0 without Keyway	55	20	
	20 × 10			0,55	0,26	0,28	10	± 0,02						± 0,01
	20 × 20			1,10	0,24	0,28	20	± 0,02						± 0,01
	20 × 50	3000	2,50	0,58	0,6	50	± 0,02	± 0,01	16250	6930	11,9 with Keyway 24,5 without Keyway			

1 Max. travel speed depends of the length of the linear unit, see diagram for particular size of the linear unit.  
For travel speed and acceleration over the stated value in the table above or diagrams please contact us.

2 The stated values are for strokes up to 500mm.  
No Load Torque value increases with stroke elongation

3 For the ball nut with the preload of 2% please contact us

4 For minimum stroke below the stated value in the table above please contact us.

Mass moment inertia of Linear unit

Linear unit	Carriage version	Ball screw [ d × l ]	Mass moment of inertia [ 10 <sup>-5</sup> kg · m <sup>2</sup> ]	Planar moment of inertia	
				I <sub>y</sub> [ cm <sup>4</sup> ]	I <sub>z</sub> [ cm <sup>4</sup> ]
CTV 145	S	20 × 5	3,04 + 0,013 * Stroke [ mm ]	85,3	682,3
		20 × 10	3,27 + 0,013 * Stroke [ mm ]		
		20 × 20	4,17 + 0,013 * Stroke [ mm ]		
		20 × 50	10,50 + 0,013 * Stroke [ mm ]		
	L	20 × 5	4,43 + 0,013 * Stroke [ mm ]		
		20 × 10	4,92 + 0,013 * Stroke [ mm ]		
		20 × 20	6,91 + 0,013 * Stroke [ mm ]		
		20 × 50	20,79 + 0,013 * Stroke [ mm ]		

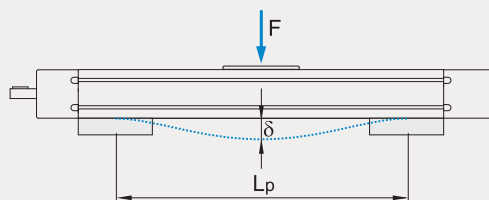
Mass of Linear unit

Linear unit	Carriage Length L <sub>v</sub> [ mm ]	Mass of Linear unit [ kg ]
CTV 145 S	49	5,7 + 0,015 * Stroke [ mm ]
CTV 145 L	149	8,4 + 0,015 * Stroke [ mm ]

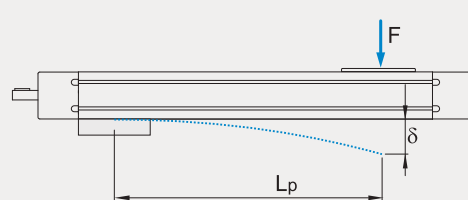
**i** Mass calculation doesn't include mass of motor, reduction gear, switches and clamps.

Deflection of the linear unit

Fixed - fixed mounting



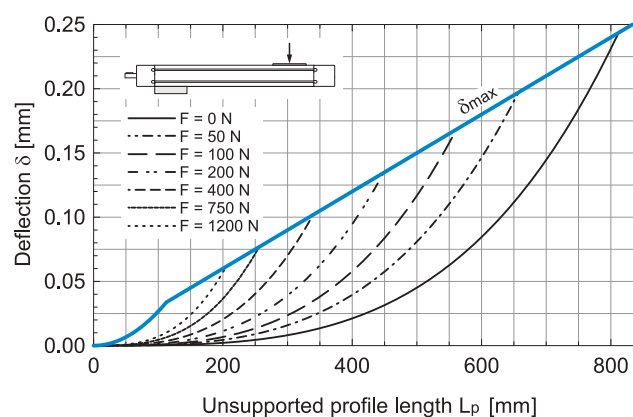
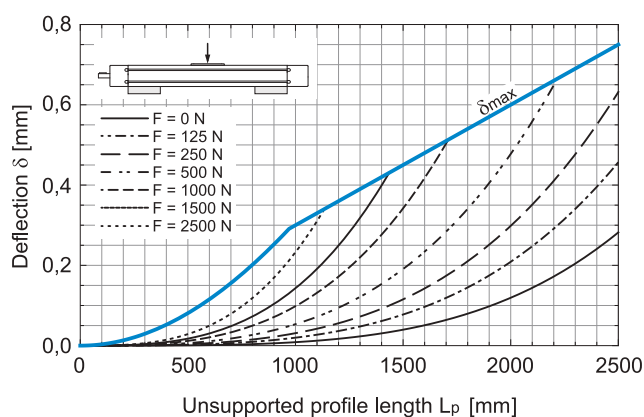
Fixed - free mounting



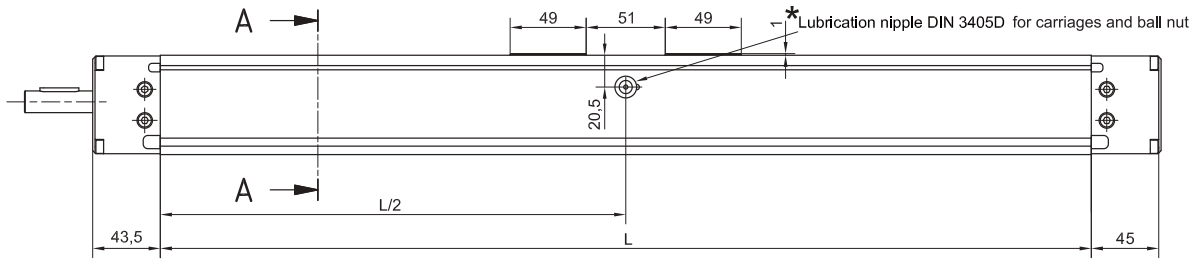
- δ Maximum deflection of the linear unit [mm]
- δ<sub>max</sub> Maximum permissible deflection of the linear unit [mm]
- F Applied force [N]
- L<sub>p</sub> Unsupported profile length [mm]

**i** The maximum permissible deflection δ<sub>max</sub> must not be exceeded. In the case that maximum deflection δ exceeds the maximum permissible deflection δ<sub>max</sub> additional profile supports are needed.

CTV 145



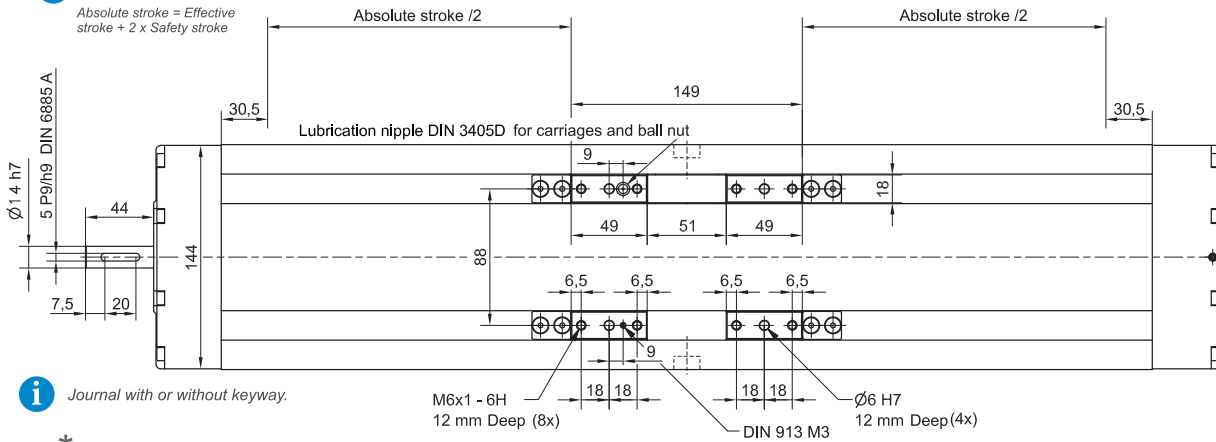
**DIMENSIONS**



**i** Linear Unit doesn't include any safety stroke.

Absolute stroke = Effective stroke + 2 x Safety stroke

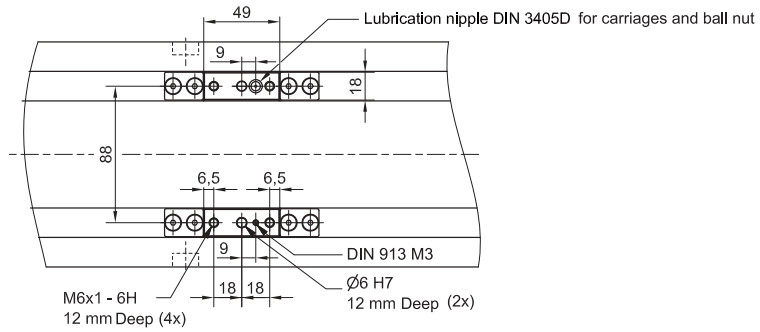
**LONG CARRIAGE**



**i** Journal with or without keyway.

\* Lubrication port position:  
Long carriage: L/2  
Short carriage: L/2 - 46 mm

**SHORT CARRIAGE**

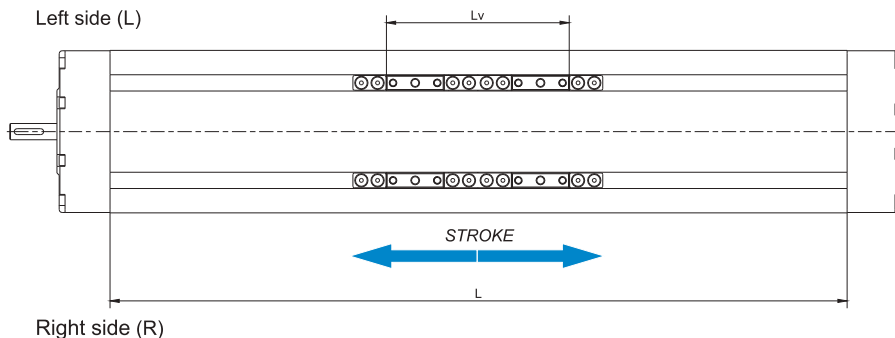


**i** All dimensions in mm.  
Drawings scales are not equal.

**Defining of the linear unit length**

**L = Effective stroke + 2 × Safety stroke + Lv + 61 mm**

**Ltotal = L + 88,5 mm**



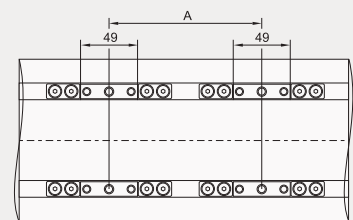
Right side (R)

Lv - Long carriage = 149 mm  
Lv - Short carriage = 49 mm

**L = Effective stroke + 2 × Safety stroke + A + 110 mm**  
**Ltotal = L + 88,5 mm** } **A ≥ 100 mm** **!**

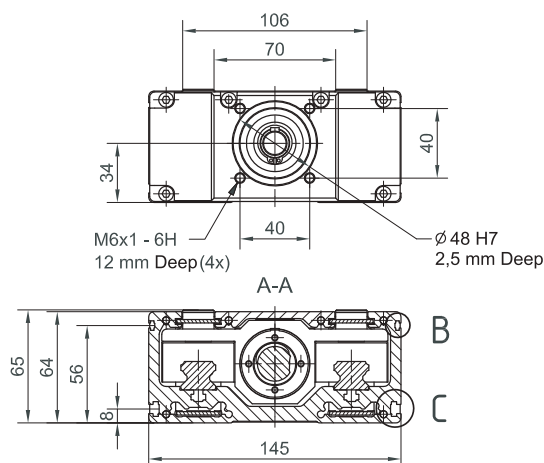
**Double-Carriage**

**i** Only with *short carriage* version.

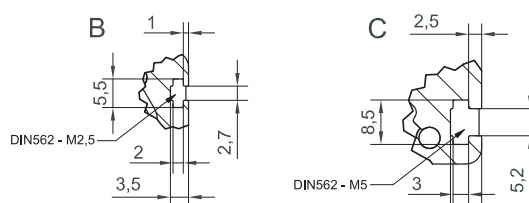


**i** For ordering code please contact us.

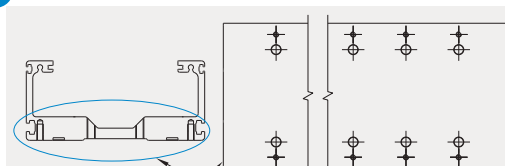
**DIMENSIONS**



**i** All dimensions in mm; Drawings scales are not equal.



**i** **OPTIONAL: TAP / PIN holes available on request.**

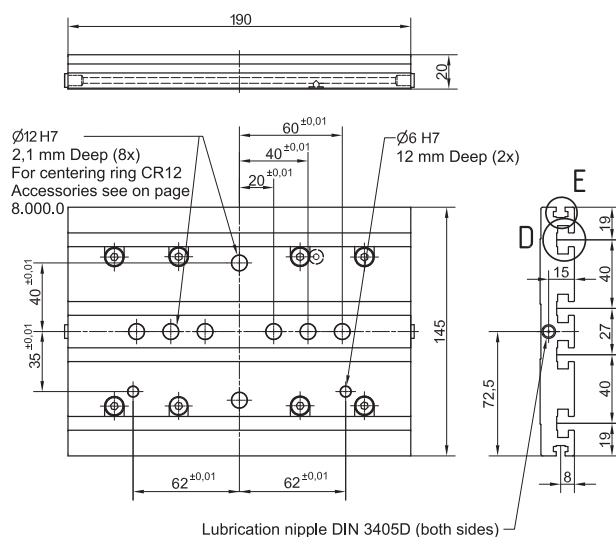


**TAP / PIN holes on the bottom of the Profile.**

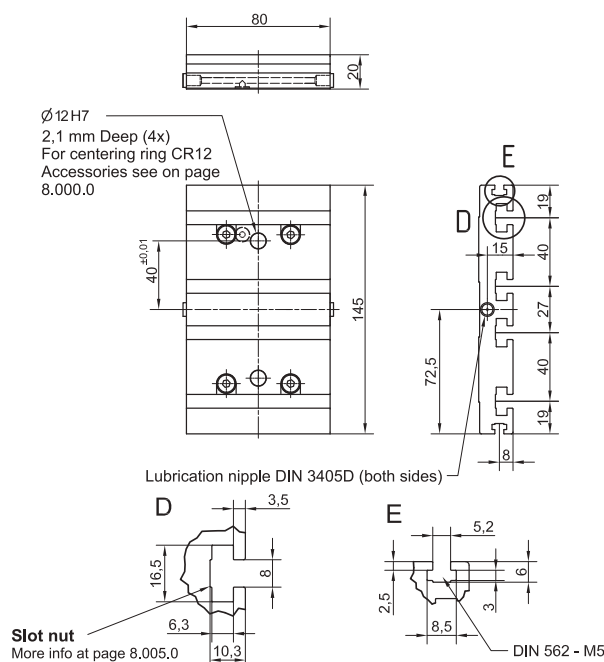
**i** Drawing only for presentational use.

**CONNECTION PLATE**

**CTV 145 L**



**CTV 145 S**



Linear Unit	Plate length [mm]	Weight [kg]	Code
CTV 145 S	80	0,78	48351
CTV 145 L	190	1,54	48350

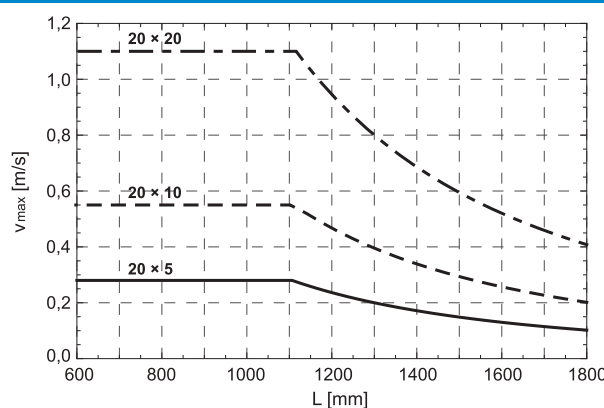
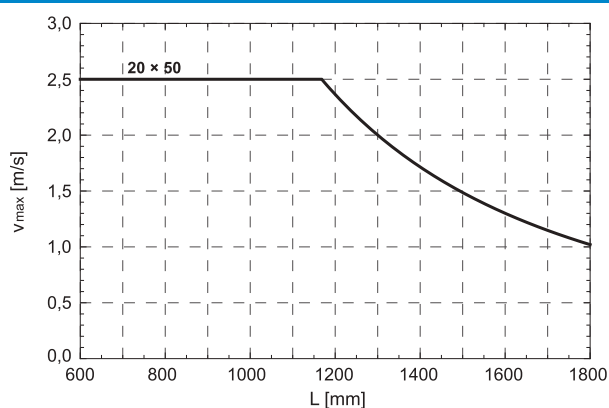
**i** Mounting elements for mounting the connection plate on the Linear unit are included.

**Mounting the drive**

- by the **MOTOR SIDE DRIVE - MSD** (Page 7.095.0)
- by the **MOTOR ADAPTER WITH COUPLING** (Page 8.020.0)

**i** Available on request.

**Maximum travel speed as a function of the profile length (V<sub>max</sub> - L curves)**



**TECHNICAL DATA**

**General technical data**

Linear Unit	Carriage length Lv [ mm ]	Dynamic load capacity C [ N ]	Dynamic moment			Max. permissible loads					Moved mass [ kg ]	* Max. length Lmax [ mm ]	* Max. stroke [ mm ]
			Mx [ Nm ]	My [ Nm ]	Mz [ Nm ]	Forces		Moments					
						Fpy [ N ]	Fpz [ N ]	Mpx [ Nm ]	Mpy [ Nm ]	Mpz [ Nm ]			
CTV 200 S	80	49600	3220	450	900	10000	24610	1600	450	308	3,11	2200	2000
CTV 200 L	255	99200	6445	8680	8680	20000	51540	3350	4550	1750	6,21		1825

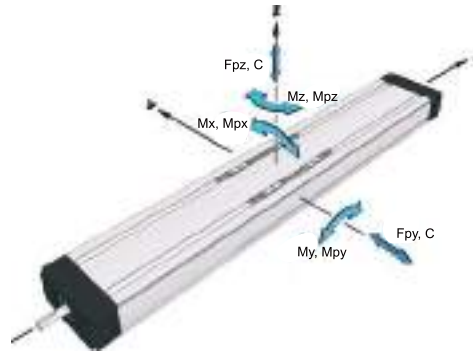
\* For lengths / stroke over the stated value in the table above please contact us.  
Values for max. stroke are not valid for double carriage.  
(equation of defining the linear unit length for particular size of the linear unit needs to be used).

**i Recommended values of loads:**

All the data of dynamic moments and load capacities stated in the upper table are theoretical without considering any safety factor. The safety factor depends on the application and its requested safety. We recommend a minimum safety factor (fs = 5.0)

**Modulus of elasticity**

$E = 70000 \text{ N / mm}^2$



Operating conditions	
Operating temp.	0°C ~ +60°C
Duty cycle	100%

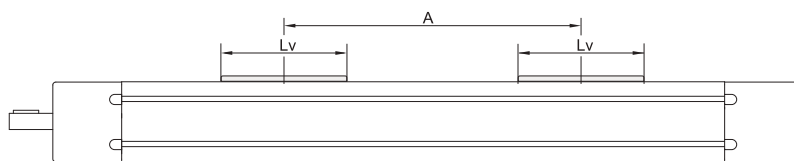
For operating temperature out of the presented range, please contact us.

**General technical data for double carriage**

Linear Unit	Carriage version	Dynamic load capacity C [ N ]	Dynamic moment			Max. permissible loads				
			Mx [ Nm ]	My [ Nm ]	Mz [ Nm ]	Forces		Moments		
						Fpy [ N ]	Fpz [ N ]	Mpx [ Nm ]	Mpy [ Nm ]	Mpz [ Nm ]
CTV 200	S2	99200	6440	49,6 * A [mm]	49,6 * A [mm]	20000	49230	3200	24,6 * A [mm]	10,0 * A [mm]

\*A - Distance between carriages. More info on following pages.

**i** Presented values are for informational purposes only. Exact values can be calculated using our sizing selection tool on Unimotion web site.  
For grater number of carriages please contact us.



**Ball Screw Drive data**

Linear Unit	Ball screw [ d × l ]	Max. rotational speed [ rev / min ]	1 Max. travel speed [ m / s ]	2 No load torque		Lead constant [ mm / rev ]	3 Max. repeatability precision [ mm ]		Dynamic load capacity BS Ca [ N ]	Max. Axial load Fx [ N ]	Max. drive torque Ma [ Nm ]	4 Min. stroke [ mm ]	1 Max. acceleration [ m/s² ]
				Carriage: S [ Nm ]	Carriage: L [ Nm ]		STANDARD	ISO5					
CTV 200	32 × 5	2150	0,18	0,45	0,55	5	± 0,02	± 0,01	18850	18850	16,7 with Keyway 16,7 without Keyway	65	20
	32 × 10			0,50	0,60	10	± 0,02	± 0,01			33400		
	32 × 20	3000	1,00	0,65	20	± 0,02	± 0,01	29700	14800	27,3 with Keyway 52,3 without Keyway			
	32 × 32		1,60	0,70	32	± 0,02	± 0,01	35150	9240	70			

1 Max. travel speed depends of the length of the linear unit, see diagram for particular size of the linear unit.  
For travel speed and acceleration over the stated value in the table above or diagrams please contact us.

2 The stated values are for strokes up to 500mm.  
No Load Torque value increases with stroke elongation

3 For the ball nut with the preload of 2% please contact us

4 For minimum stroke below the stated value in the table above please contact us.

Mass moment inertia of Linear unit

Linear unit	Carriage version	Ball screw [ d × l ]	Mass moment of inertia [ 10 <sup>-5</sup> kg · m <sup>2</sup> ]	Planar moment of inertia	
				I <sub>y</sub> [ cm <sup>4</sup> ]	I <sub>z</sub> [ cm <sup>4</sup> ]
CTV 200	S	32 × 5	21,17 + 0,069 · Stroke [ mm ]	417,4	3007,3
		32 × 10	21,76 + 0,069 · Stroke [ mm ]		
		32 × 20	24,12 + 0,069 · Stroke [ mm ]		
		32 × 32	29,04 + 0,069 · Stroke [ mm ]		
	L	32 × 5	33,41 + 0,069 · Stroke [ mm ]		
		32 × 10	34,59 + 0,069 · Stroke [ mm ]		
		32 × 20	39,31 + 0,069 · Stroke [ mm ]		
		32 × 32	49,12 + 0,069 · Stroke [ mm ]		

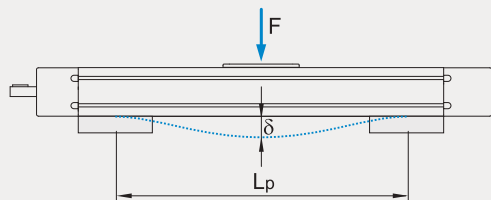
Mass of Linear unit

Linear unit	Carriage Length L <sub>v</sub> [ mm ]	Mass of Linear unit [ kg ]
CTV 200 S	80	15,4 + 0,031 · Stroke [ mm ]
CTV 200 L	255	23,8 + 0,031 · Stroke [ mm ]

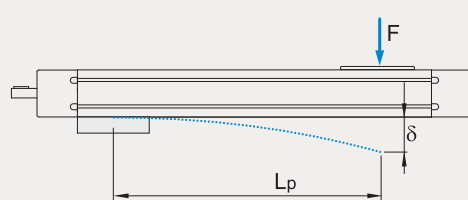
**i** Mass calculation doesn't include mass of motor, reduction gear, switches and clamps.

Deflection of the linear unit

Fixed - fixed mounting



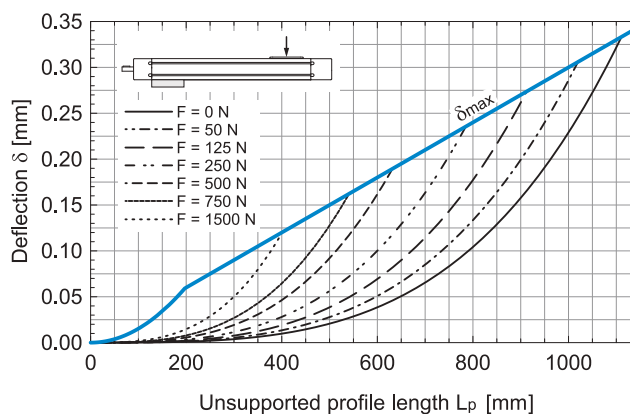
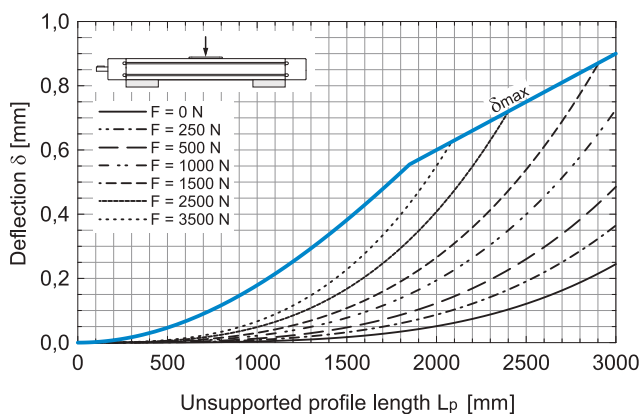
Fixed - free mounting



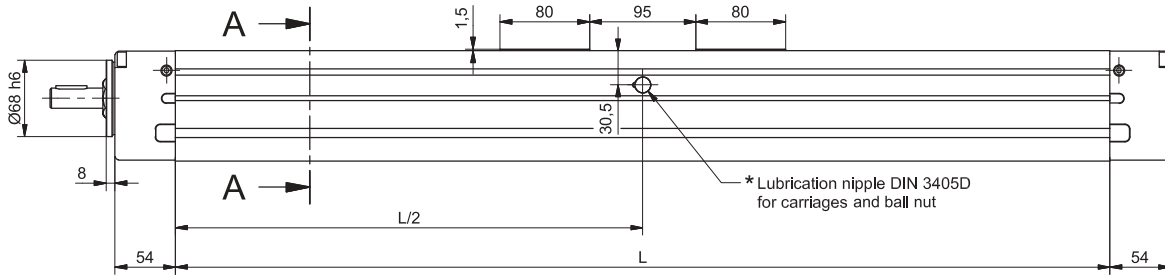
- δ Maximum deflection of the linear unit [mm]
- δ<sub>max</sub> Maximum permissible deflection of the linear unit [mm]
- F Applied force [N]
- L<sub>p</sub> Unsupported profile length [mm]

**i** The maximum permissible deflection δ<sub>max</sub> must not be exceeded. In the case that maximum deflection δ exceeds the maximum permissible deflection δ<sub>max</sub> additional profile supports are needed.

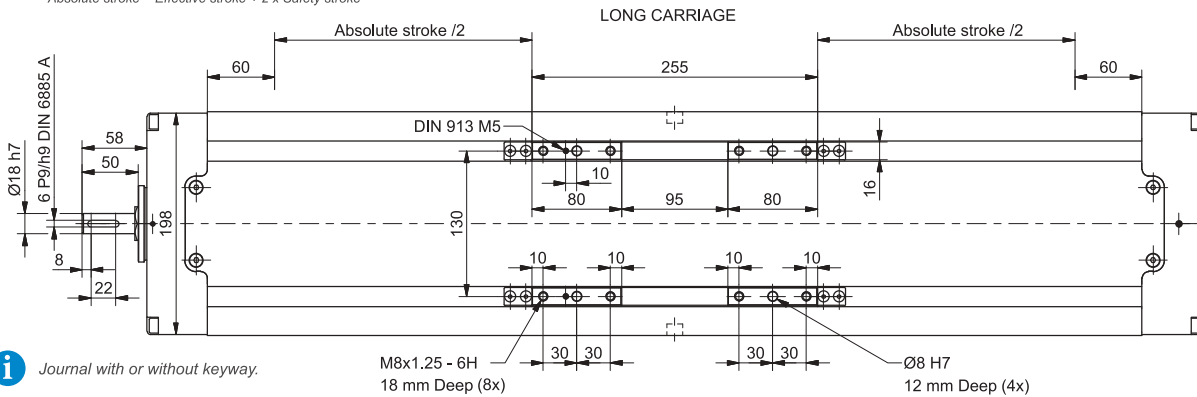
CTV 200



**DIMENSIONS**



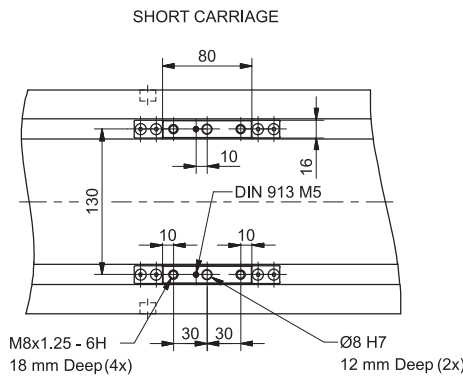
**i** Linear Unit doesn't include any safety stroke.  
Absolute stroke = Effective stroke + 2 x Safety stroke



**i** Journal with or without keyway.

\* Lubrication port position:  
Long carriage: L/2  
Short carriage: L/2 - 53 mm

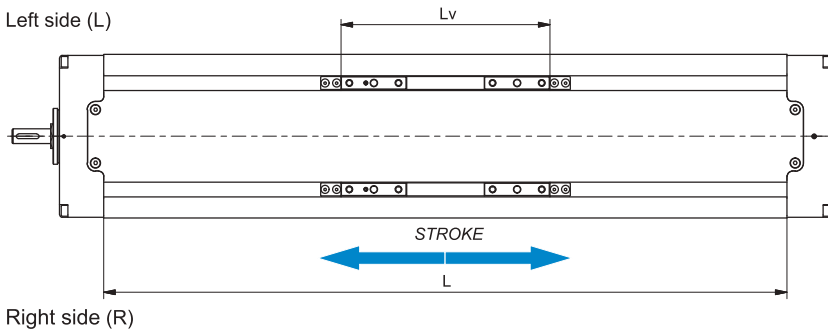
**i** All dimensions in mm.  
Drawings scales are not equal.



**Defining of the linear unit length**

**L = Effective stroke + 2 × Safety stroke + Lv + 120 mm**

**Ltotal = L + 108 mm**

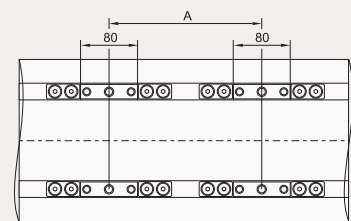


Lv - Long carriage = 255 mm  
Lv - Short carriage = 80 mm

**L = Effective stroke + 2 × Safety stroke + A + 200 mm**  
**Ltotal = L + 108 mm**

**Double-Carriage**

**i** Only with **short carriage** version.



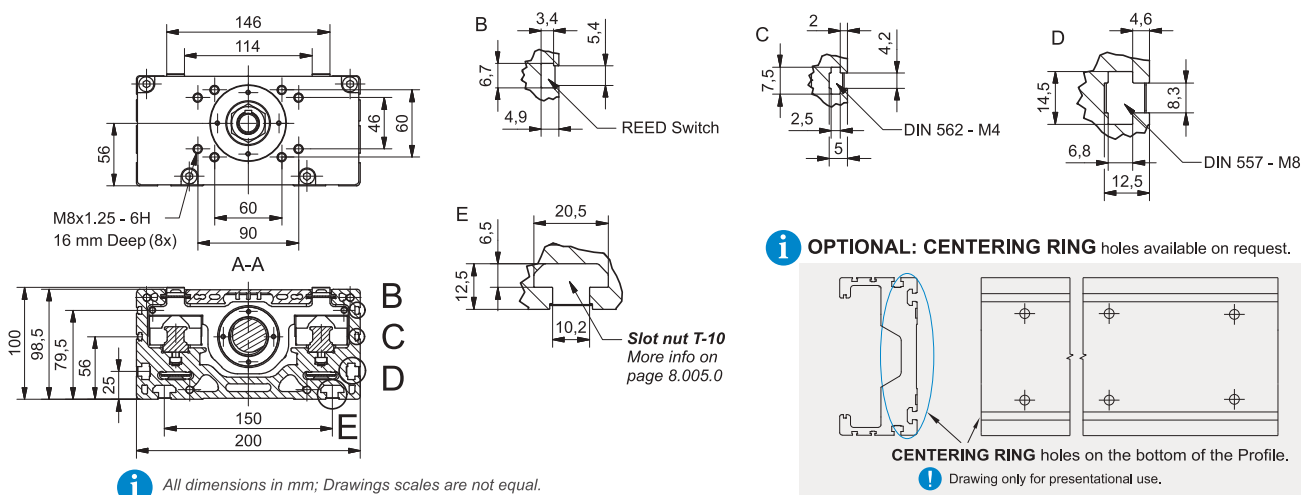
**i** For ordering code please contact us.

**A** ≥ 130 mm  
**\*A** ≥ 195 mm **!**

\* In case of using the connection plates.

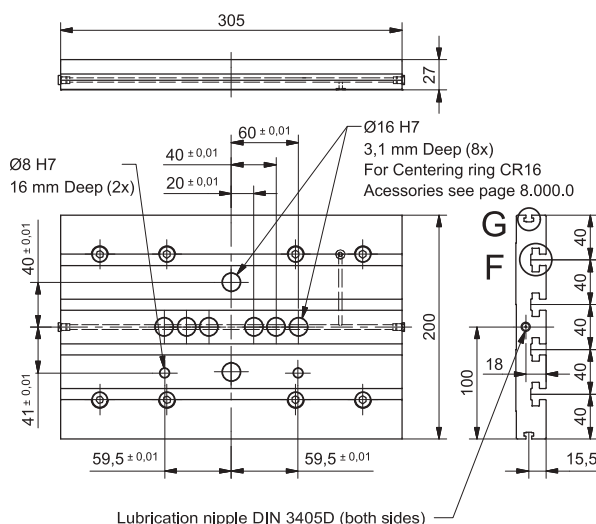


**DIMENSIONS**

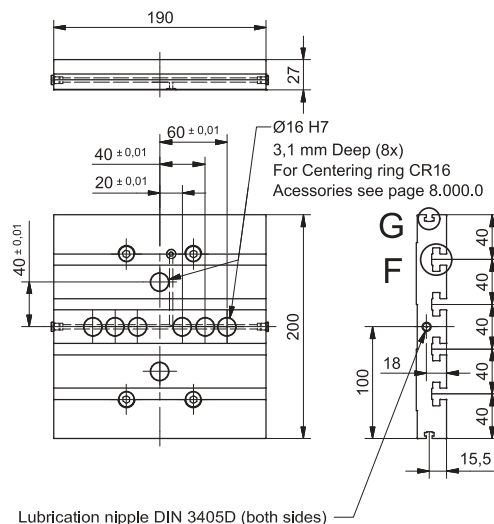


**CONNECTION PLATE**

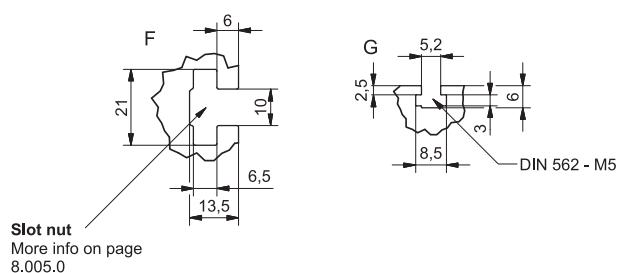
**CTV 200 L**



**CTV 200 S**



Linear Unit	Plate length [mm]	Weight [kg]	Code
CTV 200 S	190	2,32	66669
CTV 200 L	305	3,75	66657



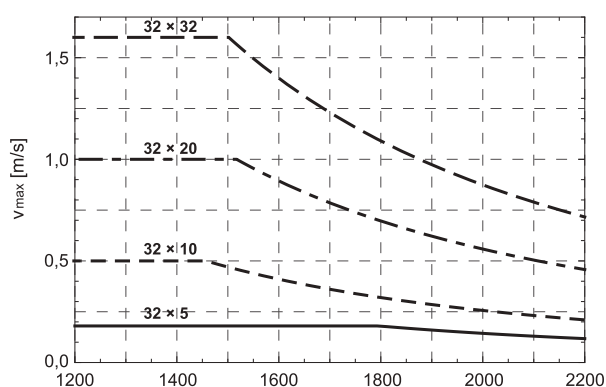
**i** Mounting elements for mounting the connection plate on the Linear unit are included.  
Please consider our advice in our Maintenance- and assembly instructions

**Mounting the drive**

- by the **MOTOR SIDE DRIVE - MSD** (Page 7.095.0)
- by the **MOTOR ADAPTER WITH COUPLING** (Page 8.020.0)

**i** Available on request.

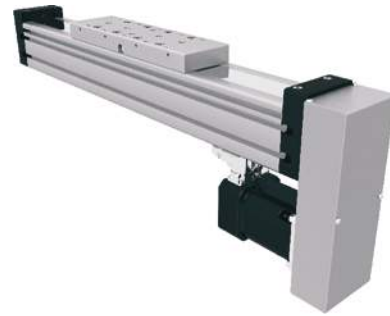
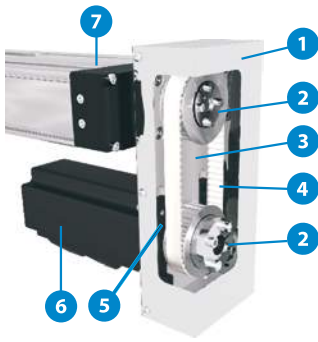
**Maximum travel speed as a function of the profile length (V<sub>max</sub> - L curves)**



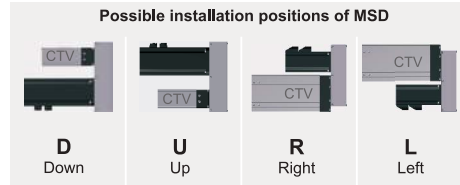
# CTV - MTV MOTOR SIDE DRIVE

## LINEAR UNITS

### STRUCTURAL DESIGN

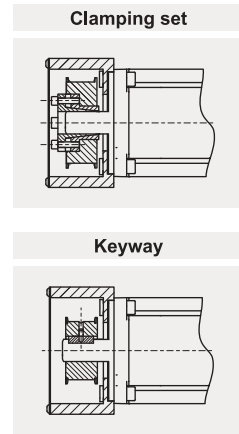
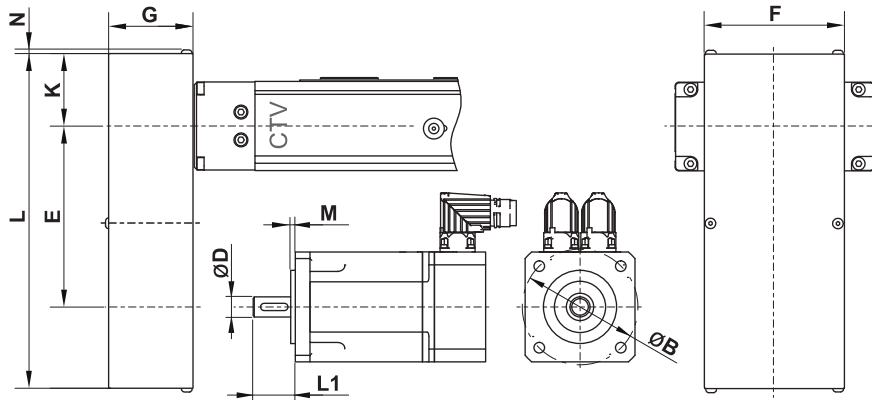


- 1 - Cover
- 2 - Attachment of pulley with clamping set
- 3 - Anodized aluminium housing
- 4 - Toothed belt
- 5 - Belt tensioning system (elongation and frequency of belt span provided with delivery of unit)
- 6 - Motor
- 7 - Linear unit - CTV / MTV



**i** The linear unit must be executed with drive journal without keyway, so that the MSD belt drive can be mounted on it.

### DIMENSIONS AND TECHNICAL DATA



Linear Unit	Type	Gear ratio	Max. drive torque (linear unit) [ Nm ]	** Max. radial load on shaft [ N ]	Mass moment of inertia [ 10 <sup>-6</sup> kg * m <sup>2</sup> ]	Mass [ kg ]	Motor size limits [ mm ]					Dimensions [ mm ]							
							ØB max	M max	L1		ØD max		E	F	G	K	L	N	
									Clamping set min	Keyway	max	Clamping set max	Keyway						
CTV 90	T1	i=1	2,7	90	79	0,88	70	4	22	25	39	14	22	100	70	41	31	179	2
		i=1,5	2,7	90	48	0,74			/			14	102						
CTV 110 MTV 65	T1	i=1	5	175	72	0,90	70	4	22	25	39	14	22	100	70	41	31	179	2
		i=1,5	5	175	41	0,80			/			14	112						
CTV 110 MTV 65	T2	i=1	9	245	206	1,51	100	4	24	30	49	18	30	145	90	51	43	250	2
		i=1,5	11	235	335	1,53			14			139							
CTV 145 MTV 80	T1	i=1	13	350	207	1,52	100	4	24	30	49	18	30	145	90	51	43	250	2
		i=1,5	19	410	335	1,64			14			180							
CTV 145 MTV 80	T2	i=1	19	410	551	3,30	120	4	30	35	59	22	40	160	120	61	56	297	2,5
		i=2	24	375	860	2,93			14			32	158						
CTV 200 MTV 110	T1	i=1	25	500	640	3,76	130	4	35	35	59	35	40	268	120	61	56	403	2,5
		i=2	25	400	960	3,62			19			32	267						

\* For a bigger value an additional adapter plate is used.

(max. drive speed: 3000 1/min; No load torque: approx. 0,5 Nm)

\*\* This is the load which is linearly dependent on the max. drive torque and is generated by the correct pretension of the belt. This load needs to be reduced in accordance with the capabilities of the motor.

### HOW TO ORDER

**MSD - CTV 110 - T2 - 1,5 - MSM040B**

Motor Side Drive: \_\_\_\_\_

Linear Unit series : \_\_\_\_\_

CTV / MTV

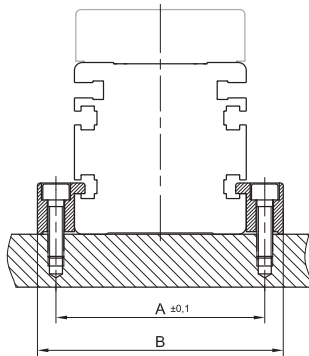
Type : \_\_\_\_\_

Motor type :

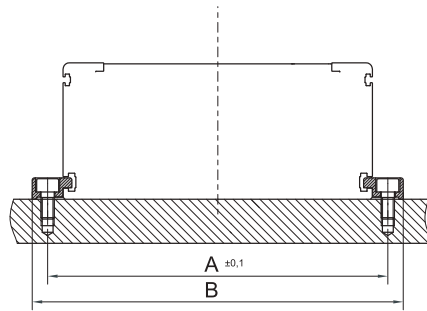
According to customer's drawing

Gear ratio :

**MTJ, MRJ, MTV  
MTJ ECO**



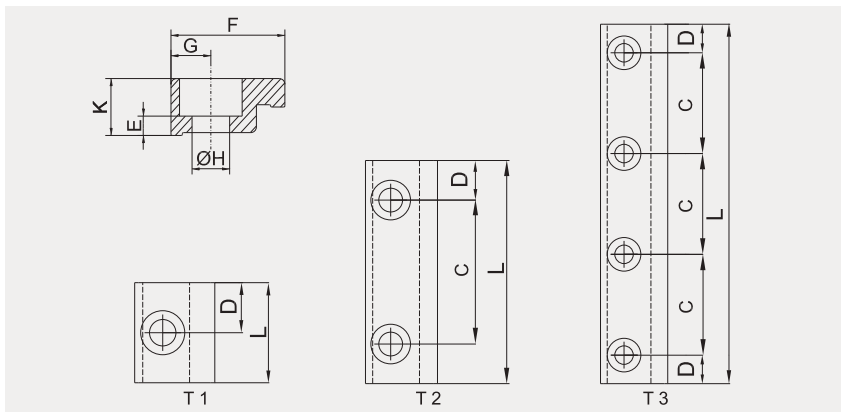
**CTV, CTJ**



**General**

The linear units are mounted by using fixtures which are placed in the slot on the side of the profile.

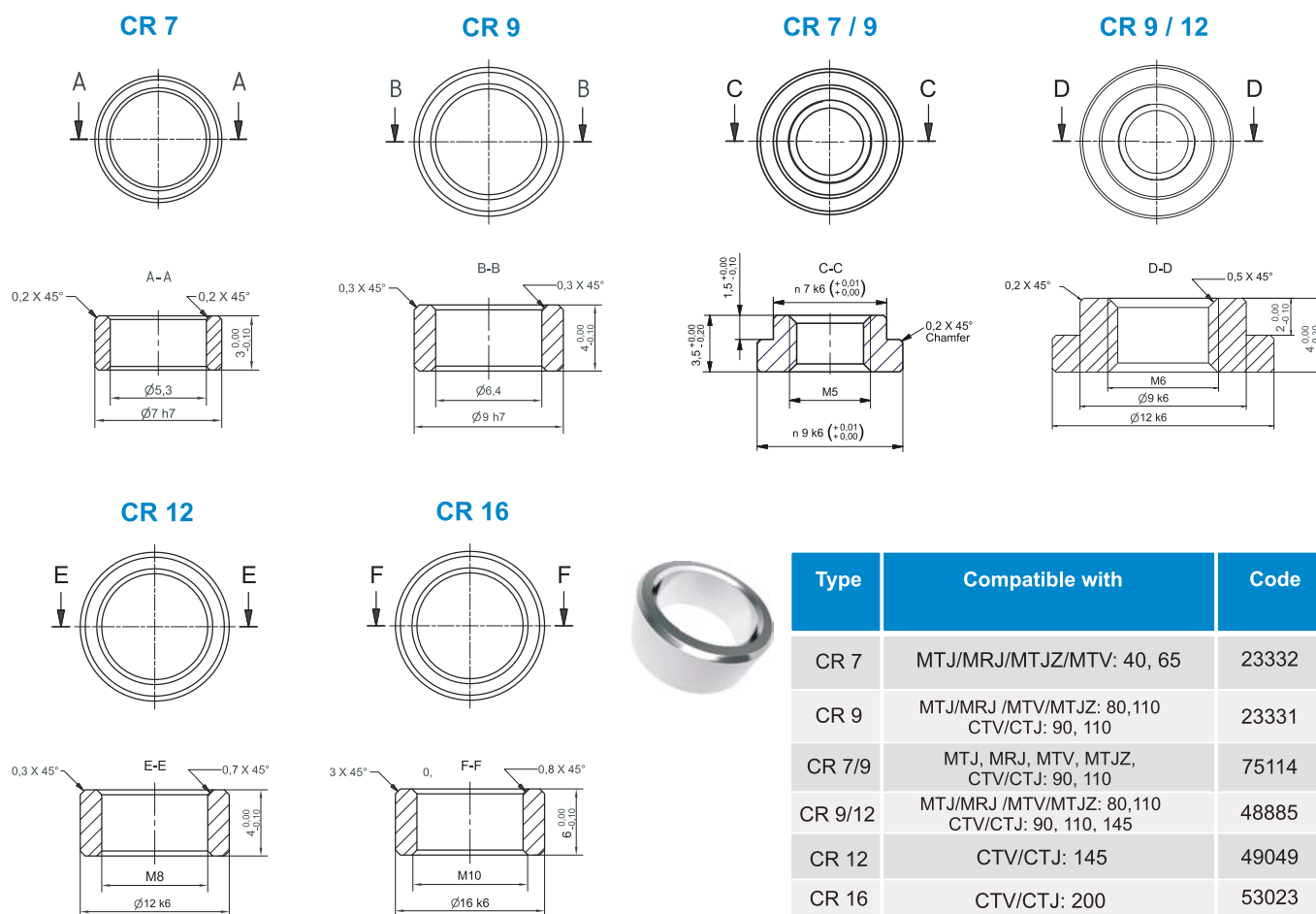
**i** Linear Unit must be mounted by the aluminium profile!



Linear Unit	Type	Dimensions [ mm ]										Screw	Countersink for	Weight [ kg ]	Code
		A	B	C	D	L	E	F	G	ØH	K				
MTJ, MRJ 40	T 2	50	64,4	40	7,5	55	2,5	15	7,2	5,5	8	M5	DIN 912	0,014	37139
MTJ, MRJ, MTV 65	T 2	78	93	40	10	60	11,5	20	7,5	6,5	20	M6	DIN 912	0,054	37129
MTJ, MRJ, MTV 80	T 2	93	108	40	10	60	11,5	20	7,5	6,5	20	M6	DIN 912	0,054	37129
MTJ, MRJ, MTV 110	T 2	130	150	40	10	60	18	30	10	8,5	27	M8	DIN 912	0,082	44375
MTJ ECO 40	T 2	52	66	40	7,5	55	14,5	20	7	5,5	20	M5	DIN 912	0,035	40728
CTV, CTJ 90	T 1	102	112	/	12,5	25	4,5	15	5	4,5	9	M4	DIN 912	0,01	46994
CTV, CTJ 90	T 2	102	112	40	11	62	4,5	15	5	4,5	9	M4	DIN 912	0,02	48636
CTV, CTJ 90	T 3	102	112	20	8,5	77	4,5	15	5	4,5	9	M4	DIN 912	0,025	47163
CTV, CTJ 90	T3	102	112	25	6	87	4,5	15	5	4,5	9	M4	DIN 912	0,028	55261
CTV, CTJ 90	T 3	102	112	30	8,5	107	4,5	15	5	4,5	9	M4	DIN 912	0,031	55638
CTV, CTJ 110	T 1	126	140	/	12,5	25	3,4	20	7	6,6	10	M6	DIN 912	0,01	48642
CTV, CTJ 110	T 2	126	140	40	11	62	3,4	20	7	6,6	10	M6	DIN 912	0,03	48643
CTV, CTJ 110	T 3	126	140	20	8,5	77	4,5	20	7	5,5	10	M5	DIN 912	0,03	48640
CTV, CTJ 110	T 3	126	140	30	8,5	107	4,5	20	7	5,5	10	M5	DIN 912	0,045	46995
CTV, CTJ 110	T3	126	140	40	11	142	3,4	20	7	6,6	10	M6	DIN 912	0,056	55260
CTV, CTJ 145	T 1	161	175	/	12,5	25	3,4	20	7	6,6	10	M6	DIN 912	0,01	48642
CTV, CTJ 145	T 2	161	175	40	11	62	3,4	20	7	6,6	10	M6	DIN 912	0,03	48643
CTV, CTJ 145	T 3	161	175	20	8,5	77	4,5	20	7	5,5	10	M5	DIN 912	0,03	48640
CTV, CTJ 145	T 3	161	175	30	8,5	107	4,5	20	7	5,5	10	M5	DIN 912	0,045	46995
CTV, CTJ 145	T 3	161	175	40	11	142	3,4	20	7	6,6	10	M6	DIN 912	0,056	55260
CTV, CTJ 200	T 2	222	240	40	19	78	14,8	29	9	8,5	27,5	M8	DIN 912	0,110	53049
CTV, CTJ 200	T 2	222	240	50	19	88	14,8	29	9	8,5	27,5	M8	DIN 912	0,120	53050
CTV, CTJ 200	T 2	222	240	70	19	108	16,3	29	9	8,5	27,5	M8	DIN 912	0,160	53051

**i** Recommended number of clamping fixtures: For T1 is recommended 6 pcs. per meter on each side, for T2 is recommended 3 pcs. per meter on each side and for T3 is recommended 3 pcs. per meter on each side.

## CENTERING RINGS



## SLOT NUTS



### LINEAR UNITS - PROFILE

CODE	NUT TYPE	LINEAR UNITS - PROFILE								
		MTJ/MRJ 40	MTJ/MRJ/ MTV/MTJZ 65	MTJ/MRJ/ MTV/MTJZ 80	MTJ/MRJ/MTV MTJZ 110	MTJ 40 ECO	CTV 90 CTJ 90	CTV 110 CTJ 110	CTV 145 CTJ 145	CTV 200 CTJ 200
41609	DIN562 - M2,5						X	X	X	
40682	DIN562 - M4	X - *57017	X	X			X			X
40768	DIN562 - M5							X	X	
40769	DIN557 - M5		X	X						
44451	DIN557 - M8				X					X
5746	Slot Nut M6					X				
5551	Slot Nut T-10-M8									X
5552	Slot Nut T-10-M6									X
5553	Slot Nut T-10-M5									X
5570	Slot N. T-10-M8 L=90									X

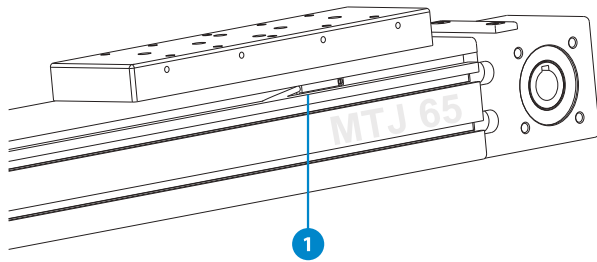
\* - deviating CODE

### LINEAR UNITS - CONNECTION PLATES

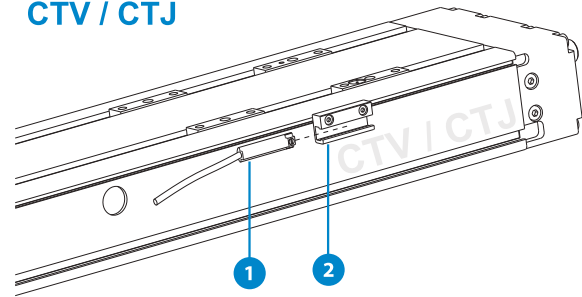
CODE	NUT TYPE	CTV 200 CTJ 200	CODE	NUT TYPE	CTV 145 CTJ 145	CODE	NUT TYPE	CTV 110 CTJ 110	CTV 90 CTJ 90
5551	Slot Nut T-10-M8	X	5704	Slot Nut 8LM4	X	48887	Slot Nut 6LM4	X	X
5552	Slot Nut T-10-M6	X	5703	Slot Nut 8LM5	X	48888	Slot Nut 6LM5	X	X
5553	Slot Nut T-10-M5	X	5702	Slot Nut 8LM6	X				
5570	Slot Nut T-10-M8 L=90	X	5701	Slot Nut 8LM8	X				

**MAGNETIC FIELD SENSORS**

**MTJ / MRJ / MTV**



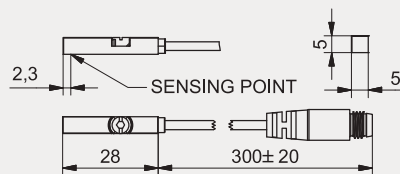
**CTV / CTJ**



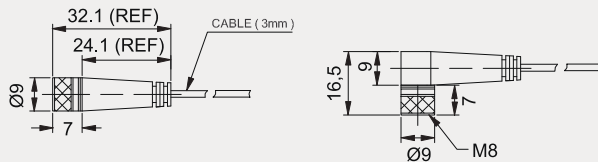
- 1 - Magnetic field sensor
- 2 - Sensor holder

**i** Mounting of Magnetic field sensor on **CTV** and **CTJ** series requires a HOM sensor holder. For CTV/CTJ 200 a HOM sensor holder is not needed.

**SMT-65TP-K N0 / NC**



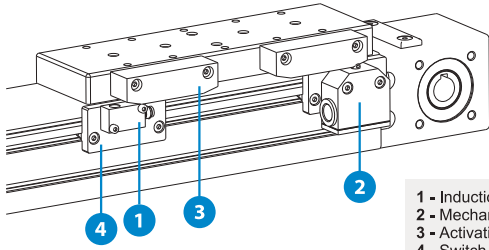
**Extension cable with connector**



Code	Type	Compatibility	
43851	HOM Sensor holder	CTV90, CTV110, CTV145, CTJ90, CTJ110, CTJ145	
74073	SMT-65TP-K NC	MTJ/MRJ/MTV/MTJZ:40,65,80,110 CTV/CTJ: 200	
77075	SMT-65TP-K NC + HOM	CTV90, CTV110, CTV145 CTJ90, CTJ110, CTJ145	
74074	SMT-65TP-K NO	MTJ/MRJ/MTV/MTJZ:40,65,80,110 CTV/CTJ: 200	
77076	SMT-65TP-K NO + HOM	CTV90, CTV110, CTV145 CTJ90, CTJ110, CTJ145	
8146	Extension Cable length 2m - Straight connector		
8147	Extension Cable length 5m - Straight connector		
9017	Extension Cable length 2m - Angeled connector		
9019	Extension Cable length 5m - Angeled connector		

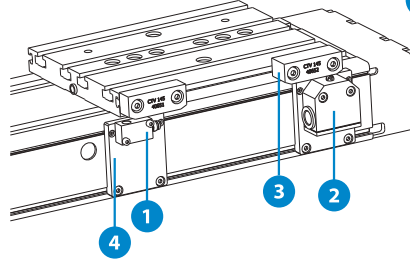
TECHNICAL DATA	SMT-65TP-K NC	SMT-65TP-K NO
<b>Sensor Type</b>	GMR sensor	GMR sensor
<b>Switching function</b>	NC	NO
<b>Output</b>	PNP	PNP
<b>Operating voltage</b>	10 ~ 28 V DC	10 ~ 28 V DC
<b>Switching Current</b>	200 mA max.	200 mA max.
<b>Power rating</b>	5,5 W max.	5,5 W max.
<b>Voltage Drop</b>	1,5 V / 200mA max.	1,5 V / 200 mA max.
<b>Current Consumption</b>	10 mA / 24 V max.	10 mA / 24 V max.
<b>Switching Frequency</b>	1000 Hz	1000 Hz
<b>Ambient temperature</b>	-10 ~ +70°C	-10 ~ +70°C
<b>Shock/Vibration</b>	50 G / 9 G	50 G / 9 G
<b>Protection class</b>	IP 67	IP 67
<b>LED indicator</b>	yellow	Yellow
<b>Electrical connection</b>	M8, 3-pin	M8, 3-pin
<b>Cable material length</b>	PU - 0,3 m	PU - 0,3 m
<b>Extension cable</b>	Energy chain compliant	Energy chain compliant

## MTJ / MRJ / MTV



- 1 - Induction switch
- 2 - Mechanical switch
- 3 - Activation block
- 4 - Switch holder

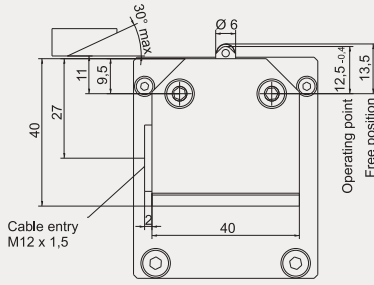
## CTV / CTJ



**i** Mounting and using the Induction and Mechanical switch, can be done only if the CTV and CTJ series Linear Units are delivered with Connection plates.

### MS- Mechanical switch

#### TECHNICAL DATA

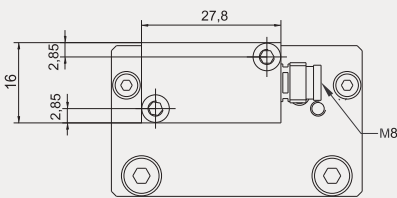


Protection class IEC 60529	IP 67
Ambient temperature	-5°C ...+80°C
Operating point accuracy	± 0.05 mm
Approach speed max.	45 m/min
Approach speed min.	0,01 m/min
Switching contact	1 changeover
Switching principle	Snap-action
Rated voltage	250 V AC
Switching current, min. at	10 mA
Switching voltage	24 V DC
Cable entry	M12 x 1,5

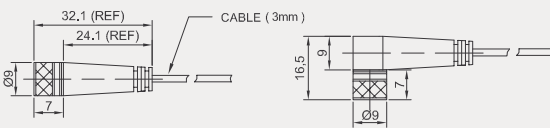
ORDERING CODES	MTJ/MR/J 40	MTJ/J 40	MTJ/MR/J/MTV 65 MTJ/J 65/80	MTJ/MR/J/MTV 80	MTJ/MR/J/ MTV 110	MTJ/J 110	MTJ ECO 40	CTV/CTJ 90	CTV/CTJ 110	CTV/CTJ 145	CTV/CTJ 200
+ 2x  Activation block with fixing screws	43243	52022	43247	43256	47827	63702	49030	49032	49031	40652	40652
Mechanical switch only	47921										
2x  + 2x  + 2x  Mechanical switch with mounting elements	40683		40687	40689	47826	63703	49035	49034	49033	47939	53055

### IS- Inductive switch

#### TECHNICAL DATA



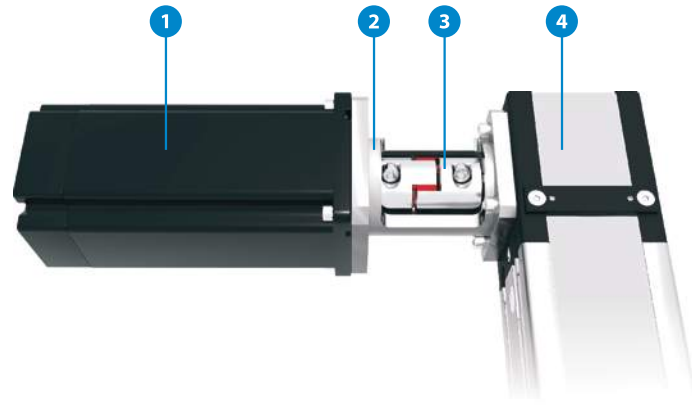
#### Extension cable with connector



Sensor Type	PNP
Switching function	NC / NO
Rated voltage	10 ~ 30 V DC
Switching Current	150 mA max.
Ambient temperature	-25°C ...+70°C
Switching Frequency	800 Hz max.
Voltage Drop	3,5 V
Protection class	IP 67
Electrical connection	M8, 3-pin
Extension cable	Energy chain compliant - bending radius 75 mm
Cable material-length	PU
Cable length	2m / 5m
Cable length	M8, 3-pin Straight or Angeled connector

ORDERING CODES	MTJ/MR/J 40	MTJ/J 40	MTJ/MR/J/MTV 65 MTJ/J 65/80	MTJ/MR/J/MTV 80	MTJ/MR/J/ MTV 110	MTJ/J 110	MTJ ECO 40	CTV/CTJ 90	CTV/CTJ 110	CTV/CTJ 145	CTV/CTJ 200
+ 2x  Activation block with fixing screws	43243	52022	43247	43256	47827	63702	49030	49032	49031	40652	40652
PNP NO Inductive switch only	40671										
2x  + 2x  + 2x  PNP NO Ind. switch with mounting elements	40680		48026	43233	48047	63705	45105	49039	49038	48058	53054
PNP NC Inductive switch only	43570										
2x  + 2x  + 2x  PNP NC Ind. switch with mounting elements	48851		40685	47848	47989	63704	45103	49037	49036	47850	53052
Extension Cable length 2m - Straight connector										8146	
Extension Cable length 5m - Straight connector										8147	
Extension Cable length 2m - Angeled connector										9017	
Extension Cable length 5m - Angeled connector										9019	

**MOTOR ADAPTER WITH COUPLING**



- 1 - Motor
- 2 - Motor adapter
- 3 - Coupling
- 4 - Linear Unit



Motor adapter : \_\_\_\_\_

Linear Unit : \_\_\_\_\_

Motor type : \_\_\_\_\_

According to customer's specification

Coupling type : \_\_\_\_\_

See page 8.020.0 or According to customer's specification

**COUPLINGS**



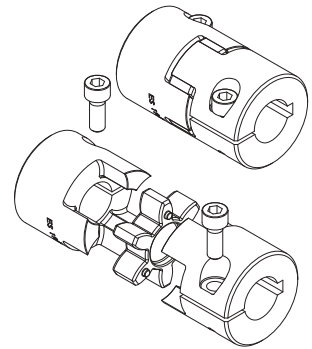
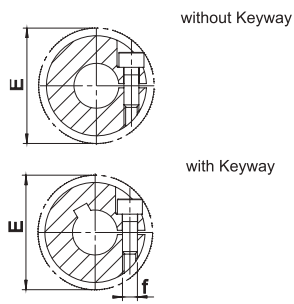
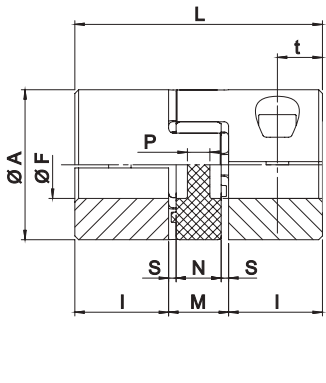
Coupling: \_\_\_\_\_

Coupling type / size: \_\_\_\_\_

7, 9, 14, 19/24, 24/28, 28/38, 38/45

Option:  
C: with keyway  
Leave blank: without keyway

Hole diameter



**i** The maximum transmittable torque of the clamping hub depends on the bore diameter (see the upper table on page 8.025.0).

Size	* T <sub>KN</sub> Nominal (Nm)	* T <sub>Kmax</sub> (Nm)	Ms (Nm)	W (Kg)	Hub J (Kg <sup>m2</sup> )	n <sub>max</sub> (min <sup>-1</sup> )	A (mm)	F (mm) [min]	F (mm) [max]	f (mm)	L (mm)	I (mm)	M (mm)	N (mm)	S (mm)	P (mm)	t (mm)	E (mm)
7	2	4	0,35	0,003	0,085 x 10	40.000	14	3	7	M2	22	7	8	6	1,0	6	4	15,0
9	5	10	0,75	0,007	0,42 x 10	28.000	20	4	10	M2,5	30	10	10	8	1,0	2	5	23,4
14	12,5	25	1,4	0,018	2,6 x 10	19.000	30	6	16	M3	35	11	13	10	1,5	2	5,5	32,2
19/24	17	34	11	0,071	18,1 x 10	14.000	40	10	20	M6	66	25	16	12	2,0	3,5	12	45,7
24/28	60	120	11	0,156	74,9 x 10	10.600	55	10	32	M6	78	30	18	14	2,0	4	12	56,4
28/38	160	320	25	0,240	163,9 x 10	8.500	65	14	35	M8	90	35	20	15	2,5	5,2	13,5	72,6
38/45	325	650	25	0,440	465,5 x 10	7.100	80	19	45	M8	114	45	24	18	3,0	5,6	16	83,3

\*The values of nominal T<sub>KN</sub>\*\* and max. T<sub>Kmax</sub>\*\* transmissible torque in the upper table are valid for coupling with Keyway!  
\*\*for legend see page 8.025.0

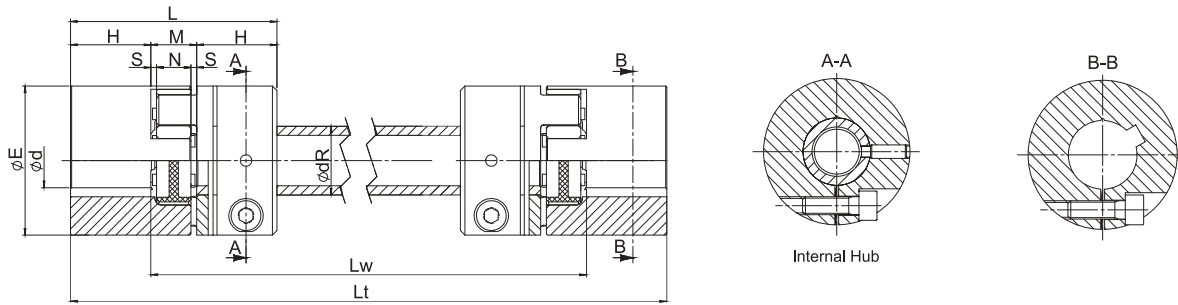
Size	Recommended coupling bore diam. and Transmissible Torque (Nm) - valid for shaft tolerances k6 without Keyway																								
	Ø4	Ø5	Ø6	Ø7	Ø8	Ø9	Ø10	Ø11	Ø12	Ø14	Ø15	Ø16	Ø19	Ø20	Ø22	Ø24	Ø25	Ø28	Ø30	Ø32	Ø35	Ø38	Ø40	Ø42	Ø45
7	0,7	0,8	1	1,1																					
9	1,1	1,4	1,7	1,9	2,2	2,5	2,8																		
14			2,5	2,9	3,3	3,7	4,1	4,6	5	5,8	6,2	6,6													
19/24							23	25	27	32	34	36	43	45											
24/28							23	25	27	32	34	36	43	45	50	54	57	63							
28/38										58	62	66	79	83	91	100	104	116	124	133	145				
38/45													79	83	91	100	104	116	124	133	145	158	166	174	187

<b>Ms</b>	Screw tightening torque	Nm
<b>W</b>	Weight	Kg
<b>J</b>	Coupling moment of inertia	kgm <sup>2</sup>
<b>n<sub>max</sub></b>	Maximum rpm	min <sup>-1</sup>
<b>T<sub>KN</sub></b>	Coupling nominal torque	Nm
<b>T<sub>kmax</sub></b>	Coupling maximum torque	Nm

The operating temperature range for the coupling is between -30 and +90°C

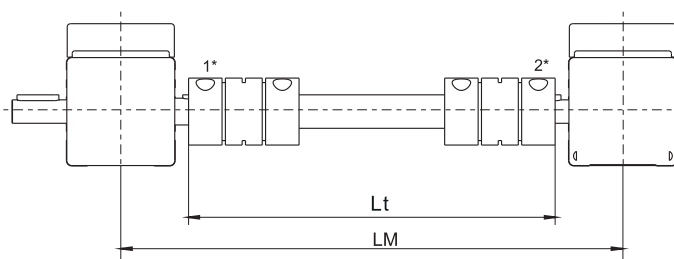
## SYNCHRONISATION SHAFT OSL

**i** The maximum transmissible torque of the clamping hub depends on the bore diameter (see the upper table on page 8.025.0).

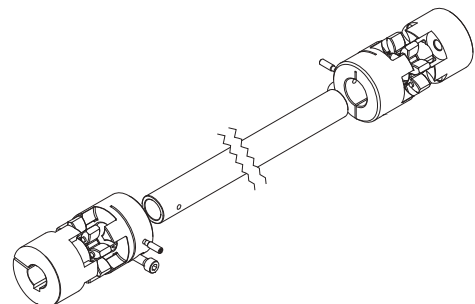


Size	Internal hub		C <sub>T</sub> (Nm/rad)	E (mm)	H (mm)	Ød min (mm)	Ød max (mm)	M (mm)	N (mm)	S (mm)	L (mm)	Lw min (mm)	Lt (mm)	dR x thickness (mm)	Weight (kg)	Moment of inertia (10 <sup>-6</sup> kg * m <sup>2</sup> )
	Ms (Nm)	M <sub>T</sub> (Nm)														
14	1,34	6	59	30	11	4	16	13	10	1,5	35	48	on request	14 x 2,0	0,072 + 0,00021 * Lw	10,4 + 0,0076 * Lw
19/24	10	34	314	40	25	6	20	16	12	2	66	82		20 x 3,0	0,284 + 0,00044 * Lw	72,4 + 0,0324 * Lw
24/28	10	45	596	55	30	8	28	18	14	2	78	96		25 x 2,5	0,624 + 0,00048 * Lw	300 + 0,0614 * Lw
28/38	25	105	2868	65	35	10	38	20	15	2,5	90	110		35 x 5,0	0,960 + 0,00128 * Lw	656 + 0,2954 * Lw
38/45	25	123	4521	80	45	12	45	24	18	3	114	138		40 x 5,0	1,760 + 0,00149 * Lw	1862 + 0,4656 * Lw

<b>Ms</b>	Screw tightening torque	Nm
<b>M<sub>T</sub></b>	Maximum transmissible torque	Nm
<b>C<sub>T</sub></b>	Torsional rigidity per meter	Nm/rad



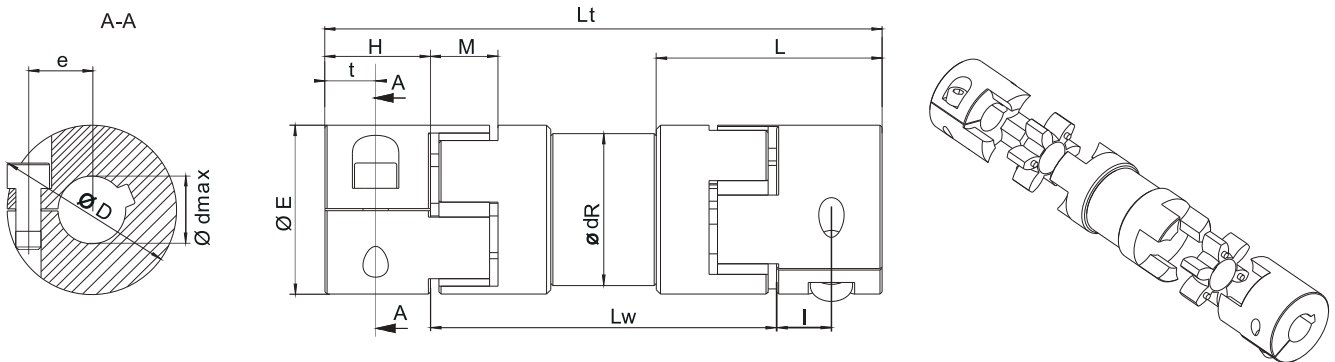
\* - see page 8.030.0 for more info



**i** For longer distances Bearing Supports needed. Please contact us.



**SYNCHRONISATION SHAFT OSR**



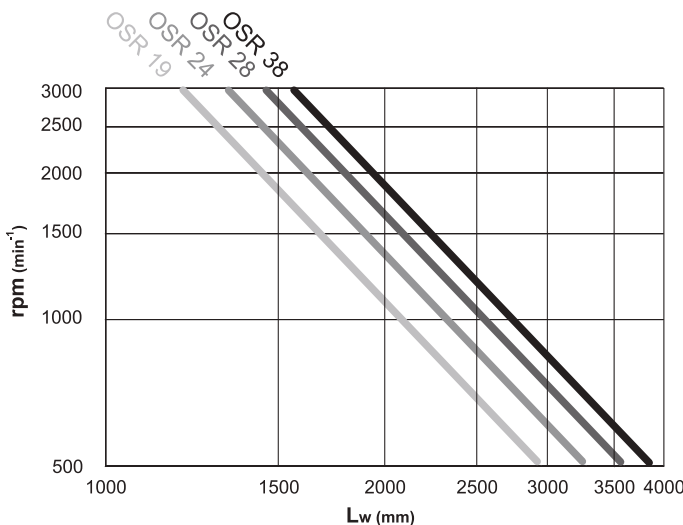
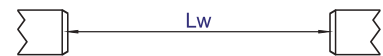
**i** The maximum transmittable torque of the clamping hub depends on the bore diameter (see the upper table on page 8.025.0).

Size	d min (mm)	d max (mm)	Ms (Nm)	Mt (Nm)	Ct (Nm/rad)	E (mm)	H (mm)	I (mm)	L (mm)	M (mm)	Lw min (mm)	Lt (mm)	D (mm)	t (mm)	e (mm)	dR (mm)	Weight (kg)	Moment of inertia (10 <sup>-6</sup> kg * m <sup>2</sup> )
19	10	20	10	39	1630	40	25	13	53,5	16	82	on request	47	12	15	36	0,30 + 0,00058 * Lw	66,0 + 0,1679 * Lw
24	10	28	10	53	3980	55	30	16	63	18	96		57	14	20,8	45	0,62 + 0,00091 * Lw	242 + 0,4099 * Lw
28	14	35	25	137	7494	65	35	20	67	20	110		73	15	25	55	0,98 + 0,00112 * Lw	572 + 0,7717 * Lw
38	15	45	25	180	14540	80	45	25	83,5	24	138		84	20	30	68	1,75 + 0,00140 * Lw	1522 + 1,4975 * Lw

**Ms** Screw tightening torque Nm  
**Mt** Maximum transmissible torque Nm  
**Ct** Torsional rigidity per meter Nm/rad

**INSTALLATION**

The overall length Lt is best determined as the distance between shaft ends - length Lw plus 2x dimension H.



**SELECTION DIAGRAM**

Ideal execution for long distance shaft connections. Torque transmission is zero backlash. Designed for lengths up to 4m without bearing support (depending on rotation speed).

Standard lengths available till 3m, for longer lengths please contact us.

**HOW TO ORDER**

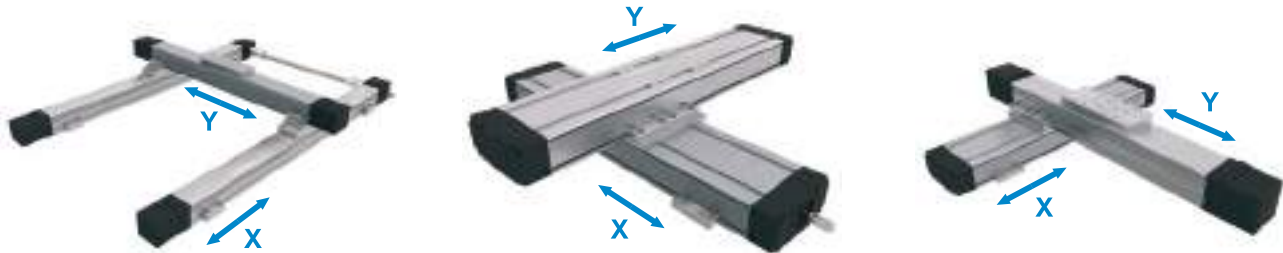
**OSR - 19 - MTJ65 - LM - 890 - F16C - F16C**

Type: OSR  
 Size: OSR: 19, 24, 28, 38  
 Linear unit series: MTJ/MRJ/MTJ ECO: 40, 65, 80, 110  
 CTJ: 90, 110, 145, 200  
 Leave blank : not for linear unit  
 Length type: LM (Middle distance of the linear units)  
 Lt (Production length of the sync. shaft)

Option:  
**C:** with keyway  
**Leave blank:** w/o keyway  
**Hole diameter:**  
 — one side end hub<sup>1</sup>  
 --- other side end hub<sup>2</sup>  
**Length [mm]**

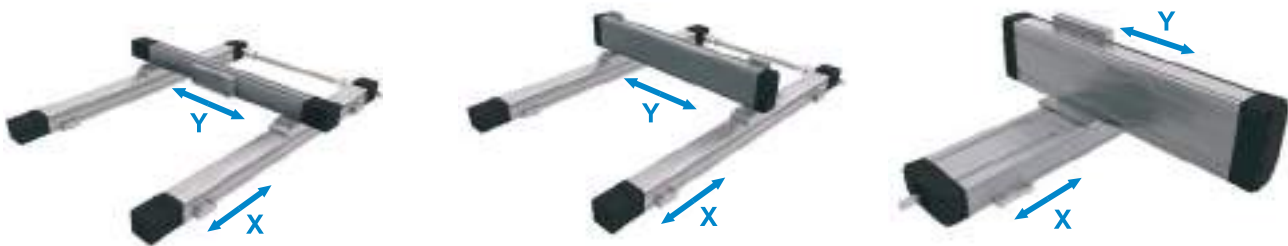
**X-Y CONNECTION ELEMENTS**

**X- Axis MTJ, MRJ, MTV, MTJ ECO, CTV = 0° → Y Axis = 0°**



X-Axis	Y-Axis								
	MTJ, MRJ 40	MTJ, MRJ, MTV 65	MTJ, MRJ, MTV 80	MTJ, MRJ, MTV 110	MTJ 40 ECO	CTV, CTJ 90	CTV, CTJ 110	CTV, CTJ 145	CTV, CTJ 200
MTJ, MRJ 40	CP M40 0 M40 0	CP M40 0 M65 0			CP M40 0 E40 0	CP M40 0 C90 0			
MTJ, MRJ, MTV 65	CP M65 0 M40 0	CP M65 0 M65 0	CP M65 0 M80 0		CP M65 0 E40 0	CP M65 0 C90 0	CP M65 0 C110 0		
MTJ, MRJ, MTV 80		CP M80 0 M65 0	CP M80 0 M80 0	CP M80 0 M110 0		CP M80 0 C90 0	CP M80 0 C110 0	CP M80 0 C145 0	
MTJ, MRJ 110		CP M110 0 M65 0	CP M110 0 M80 0	CP M110 0 M110 0			CP M110 0 C110 0	CP M110 0 C145 0	CP M110 0 C200 0
MTJ 40 ECO	CP E40 0 M40 0	CP E40 0 M65 0	CP E40 0 M80 0		CP E40 0 E40 0	CP E40 0 C90 0	CP E40 0 C110 0		
CTV, CTJ 90	CP C90 0 M40 0	CP C90 0 M65 0				CP C90 0 C90 0	CP C90 0 C110 0		
CTV, CTJ 110	CP C110 0 M40 0	CP C110 0 M65 0	CP C110 0 M80 0			CP C110 0 C90 0	CP C110 0 C110 0	CP C110 0 C145 0	
CTV, CTJ 145		CP C145 0 M65 0	CP C145 0 M80 0	CP C145 0 M110 0		CP C145 0 C90 0	CP C145 0 C110 0	CP C145 0 C145 0	
CTV, CTJ 200			CP C200 0 M80 0	CP C200 0 M110 0			CP C200 0 C110 0	CP C200 0 C145 0	CP C200 0 C200 0

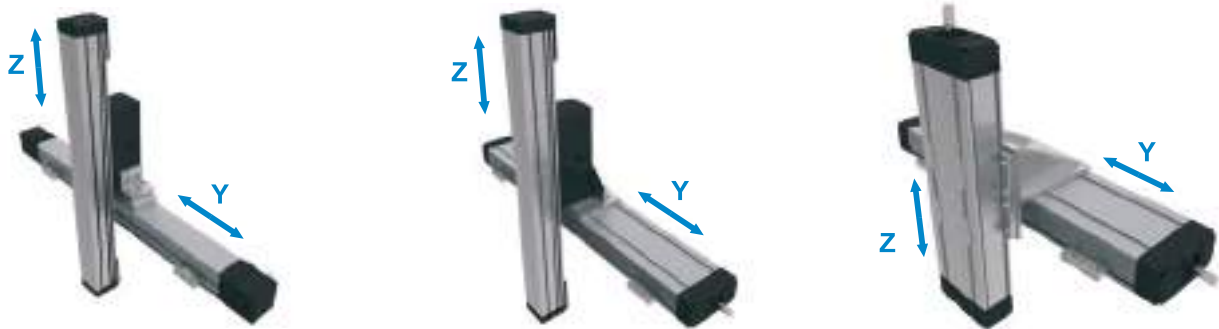
**X- Axis MTJ, MRJ, MTV, MTJ ECO, CTV = 0° → Y Axis = 90°**



X-Axis	Y-Axis								
	MTJ, MRJ 40	MTJ, MRJ, MTV 65	MTJ, MRJ, MTV 80	MTJ, MRJ, MTV 110	MTJ 40 ECO	CTV, CTJ 90	CTV, CTJ 110	CTV, CTJ 145	CTV, CTJ 200
MTJ, MRJ 40	CP M40 0 M40 90	CP M40 0 M65 90			CP M40 0 E40 90	CP M40 0 C90 90			
MTJ, MRJ, MTV 65	CP M65 0 M40 90	CP M65 0 M65 90	CP M65 0 M80 90			CP M65 0 C90 90	CP M65 0 C110 90		
MTJ, MRJ, MTV 80		CP M80 0 M65 90	CP M80 0 M80 90	CP M80 0 M110 90		CP M80 0 C90 90	CP M80 0 C110 90	CP M80 0 C145 90	
MTJ, MRJ 110		CP M110 0 M65 90	CP M110 0 M80 90	CP M110 0 M110 90			CP M110 0 C110 90	CP M110 0 C145 90	CP M110 0 C200 90
MTJ 40 ECO	CP E40 0 M40 90	CP E40 0 M65 90	CP E40 0 M80 90		CP E40 0 E40 90	CP E40 0 C90 90	CP E40 0 C110 90		
CTV, CTJ 90	CP C90 0 M40 90	CP C90 0 M65 90				CP C90 0 C90 90			
CTV, CTJ 110	CP C110 0 M40 90	CP C110 0 M65 90	CP C110 0 M80 90			CP C110 0 C90 90	CP C110 0 C110 90		
CTV, CTJ 145		CP C145 0 M65 90	CP C145 0 M80 90	CP C145 0 M110 90		CP C145 0 C90 90	CP C145 0 C110 90	CP C145 0 C145 90	
CTV, CTJ 200			CP C200 0 M80 90	CP C200 0 M110 90			CP C200 0 C110 90	CP C200 0 C145 90	CP C200 0 C200 90

Y-Z CONNECTION ELEMENTS

Y- Axis MTJ, MRJ, MTV, MTJ ECO, CTV, CTJ = 0° → Z-Axis = 90°



Y-Axis	Z-Axis									
	MTJZ 40	MTJZ 65	MTJZ 80	MTJZ 110	MTV 65	MTV 80	MTV 110	CTV 90	CTV 110	CTV 145
MTJ, MRJ 40	CP M40 0 Z40									
MTJ, MRJ, MTV 65	CP M65 0 Z40	CP M65 0 Z65			CP M65 0 ZM65					
MTJ, MRJ, MTV 80	CP M80 0 Z40	CP M80 0 Z65	CP M80 0 Z80		CP M80 0 ZM65	CP M80 0 ZM80				
MTJ, MRJ, MTV 110		CP M110 0 Z65	CP M110 0 Z80	CP M110 0 Z110	CP M110 0 ZM65	CP M110 0 ZM80	CP M110 0 ZM110			
MTJ 40 ECO	CP E40 0 Z40									
CTV, CTJ 90	CP C90 0 Z40	CP C90 0 Z65						CP C90 0 ZC90		
CTV, CTJ 110	CP C110 0 Z40	CP C110 0 Z65	CP C110 0 Z80		CP C110 0 ZM65	CP C110 0 ZM80		CP C110 0 ZC90	CP C110 0 ZC110	
CTV, CTJ 145	CP C145 0 Z40	CP C145 0 Z65	CP C145 0 Z80	CP C145 0 Z110	CP C145 0 ZM65	CP C145 0 ZM80	CP C145 0 ZM110	CP C145 0 ZC90	CP C145 0 ZC110	CP C145 0 ZC145
CTV, CTJ 200			CP C200 0 Z80	CP C200 0 Z110		CP C200 0 ZM80	CP C200 0 ZM110		CP C200 0 ZC110	CP C200 0 ZC145

CONNECTION ELEMENTS FOR CUNSTRICIONS WITH ALU PROFILES



**i** Linear Unit must be mounted by the aluminium profile and not at the end blocks!

For more details about Alu profiles see **PROFILE TECHNIC** catalogue.



## MULTI AXIS SYSTEMS

We offer all necessary fittings including brackets, clamping fixtures and adapter plates in order to build multi-axis systems. Beside standard elements we supply also custom fixing and connection elements manufactured in our workshop.

1



2



3



4



5



6



MULTI AXIS SYSTEMS



7



8



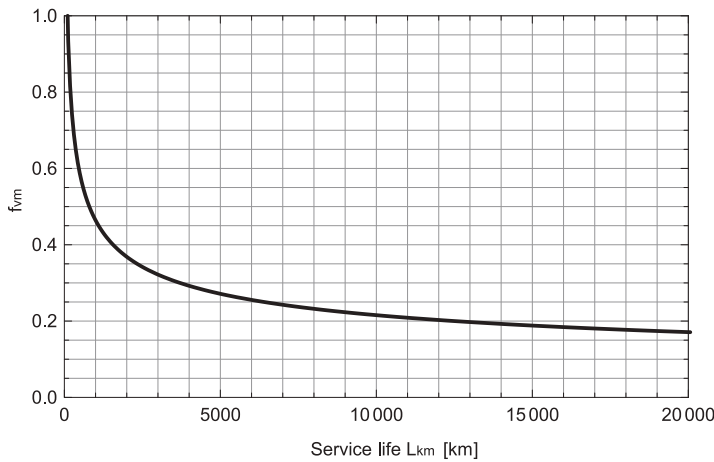
9



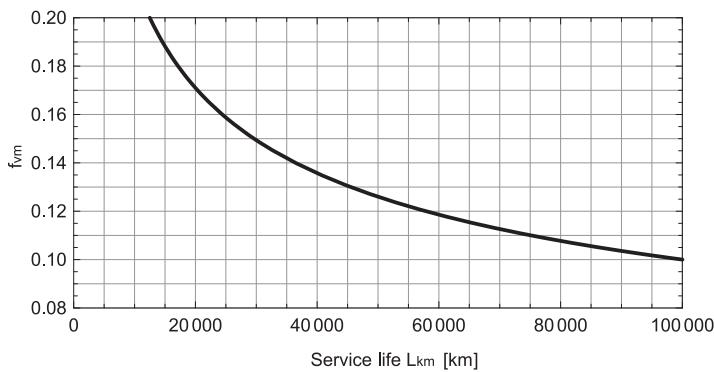
10

A large section of the page consisting of numerous horizontal lines, intended as a space for handwritten notes or technical specifications.

**Mean load comparison factor  $f_{vm}$  as a function of service life  $L_{km}$**



**Detailed view:**



**i** Diagrams and equations are valid for:

- MTJ series
- MTV series
- MTJ ECO series
- MTJZ series
- CTJ series
- CTV series

**i** Presented diagrams are showing theoretically determined service life of the linear guiding when mean load comparison factor  $f_{vm}$  is taken into consideration.

**Load comparison factor  $f_v$ :**

$$f_v = \frac{|F_y|}{C_{dyn}} + \frac{|F_z|}{C_{dyn}} + \frac{|M_x|}{M_{x\ dyn}} + \frac{|M_y|}{M_{y\ dyn}} + \frac{|M_z|}{M_{z\ dyn}}$$

$f_v$	Load comparison factor	
$C_{dyn}$	Dynamic load capacity	N
$M_x\ dyn$	Dynamic moment capacity in x-axis	Nm
$M_y\ dyn$	Dynamic moment capacity in y-axis	Nm
$M_z\ dyn$	Dynamic moment capacity in z-axis	Nm
$F_y$	Applied force in y direction	N
$F_z$	Applied force in z direction	N
$M_x$	Applied moment in x-axis	Nm
$M_y$	Applied moment in y-axis	Nm
$M_z$	Applied moment in z-axis	Nm

**Service life calculation:**

$$L_{km} = \left( \frac{1}{f_{vm}} \right)^3 \cdot 10^2$$

$L_{km}$  Service life [km]

**Safety factor  $f_s$ :**

$$f_s = \frac{1}{f_{vm}}$$

$f_s$  Safety factor

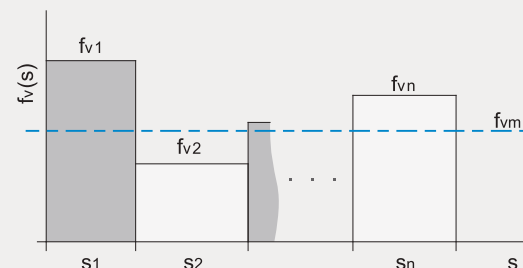
**i** The safety factor depends on the application and its requested safety. We recommended a minimum safety factor  $f_s = 5.0$

**Mean load comparison factor  $f_{vm}$  calculation:**

$$f_{vm} = \sqrt[3]{\frac{f_{v1}^3 \times s_1 + f_{v2}^3 \times s_2 + \dots + f_{vn}^3 \times s_n}{s_1 + s_2 + \dots + s_n}}$$

- $f_{vm}$  Mean load comparison factor
- $f_v\ i$  i-th load comparison factor of a given loading regime  $f_v(s)$ ,  $i \in \{1, 2, \dots, n\}$
- $s_i$  i-th travel path of a given loading regime  $f_v(s)$ ,  $i \in \{1, 2, \dots, n\}$

Loading regime  $f_v(s)$ :



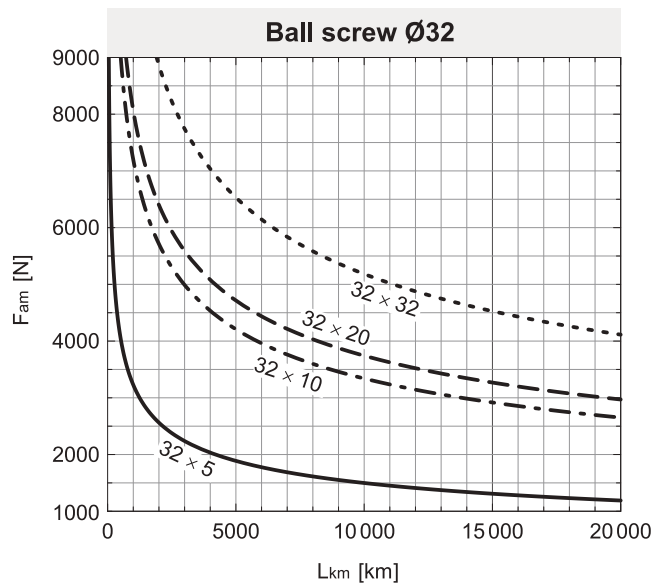
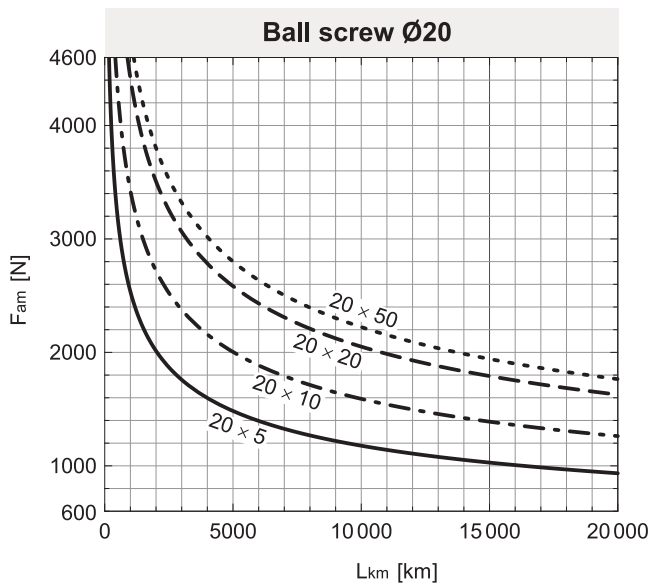
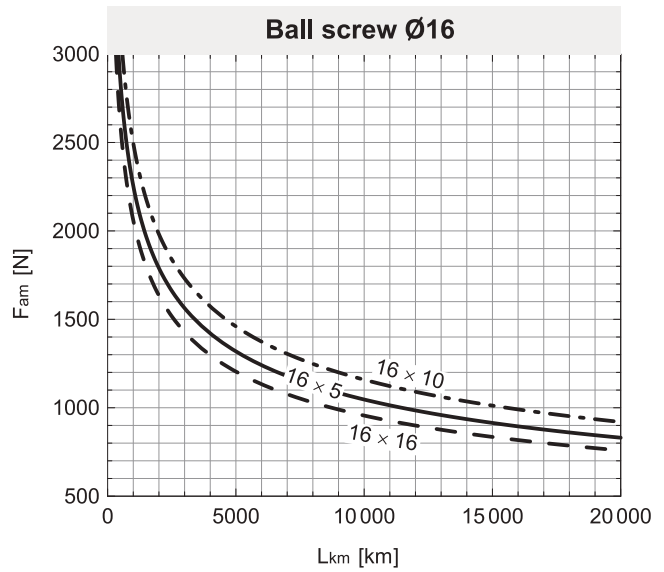
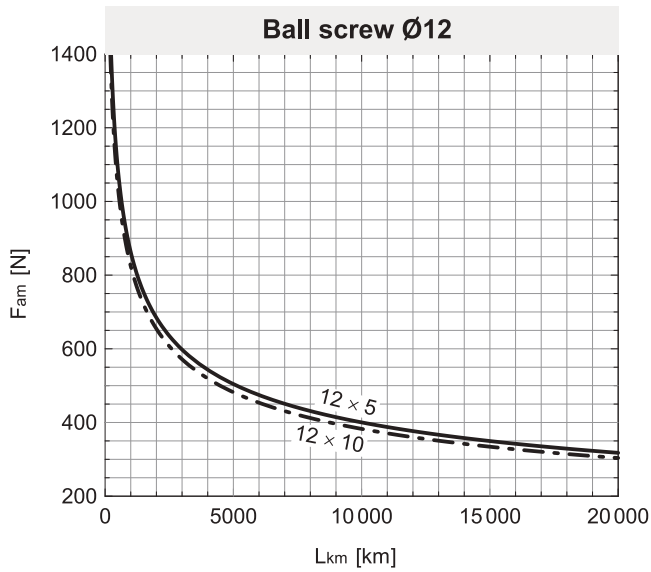
**PERMISSIBLE LOAD FACTOR  $f_p$  - LINEAR GUIDING**

$$f_p = \frac{|F_y|}{F_{py}} + \frac{|F_z|}{F_{pz}} + \frac{|M_x|}{M_{px}} + \frac{|M_y|}{M_{py}} + \frac{|M_z|}{M_{pz}} \leq 1$$

$f_p$	Permissible load factor	
$F_{py}$	Max. permissible force in y-axis	N
$F_{pz}$	Max. permissible force in z-axis	N
$M_{px}$	Max. permissible moment in x-axis	Nm
$M_{py}$	Max. permissible moment in y-axis	Nm
$M_{pz}$	Max. permissible moment in z-axis	Nm

**SERVICE LIFE - BALL SCREW**

**Applied mean axial force  $F_{am}$  as a function of service life  $L_{km}$**

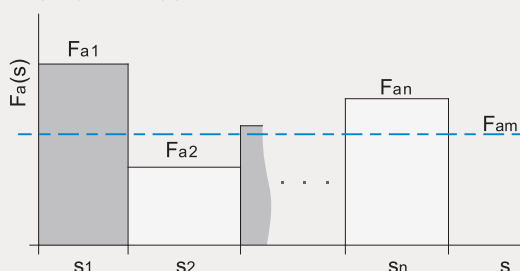


**Mean axial force  $F_{am}$  calculation:**

$$F_{am} = \sqrt[3]{\frac{|F_{a1}|^3 \times s_1 + |F_{a2}|^3 \times s_2 + \dots + |F_{an}|^3 \times s_n}{s_1 + s_2 + \dots + s_n}}$$

$F_{am}$  Mean axial force  
 $F_{a i}$  i-th axial force of a given loading regime  $F_a$  (s),  $i \in \{1,2,\dots,n\}$   
 $s_i$  i-th travel path of a given loading regime  $F_a$  (s),  $i \in \{1,2,\dots,n\}$

Loading regime  $F_a$  (s):



**i** Diagrams presented above are showing theoretically determined service life of the ball screw when mean axial force  $F_{am}$  is taken into consideration.

**i** Diagrams and equations are valid for:

- MTV series
- CTV series







The calculation program "LINEAR UNITS SELECTION" enables fast and simple selection of a suitable linear axis based on your application data. As a result of the interpretation of this data, the program provides you with diverse information, e.g. driving torque, rotation speed, maximal process speed, durability and other information about a particular product. So contact us!



Our modern machinery, for example, comprises several CNC automatic lathes with power tools, a 4-axis machining centre with a highly modern, fully automated pallet changing system and a CNC machining centre with a travel distance of 3.5m, where our linear-axis profiles are machined.

Wenzel's 6m-long measuring machine enables precise control of straightness, parallelism, angle tolerance and other dimensional tolerances of linear axis profiles, before and after processing, as well as the creation of measurement protocols. Our diverse manufactured components can also be measured here.





## WE DISTRIBUTE ALL OVER THE WORLD

We cover all major markets; if you wish to contact us, send an enquiry and we would be happy to assist you.

**UNIMOTION**

**Unimotion GmbH**  
Waldstrasse 20  
D - 78736 Epfendorf

Tel: +49 (0) 7404 930 85 60  
Fax: +49 (0) 7404 930 85 61

[www.unimotion.de](http://www.unimotion.de)  
email: [vertrieb@unimotion.de](mailto:vertrieb@unimotion.de)